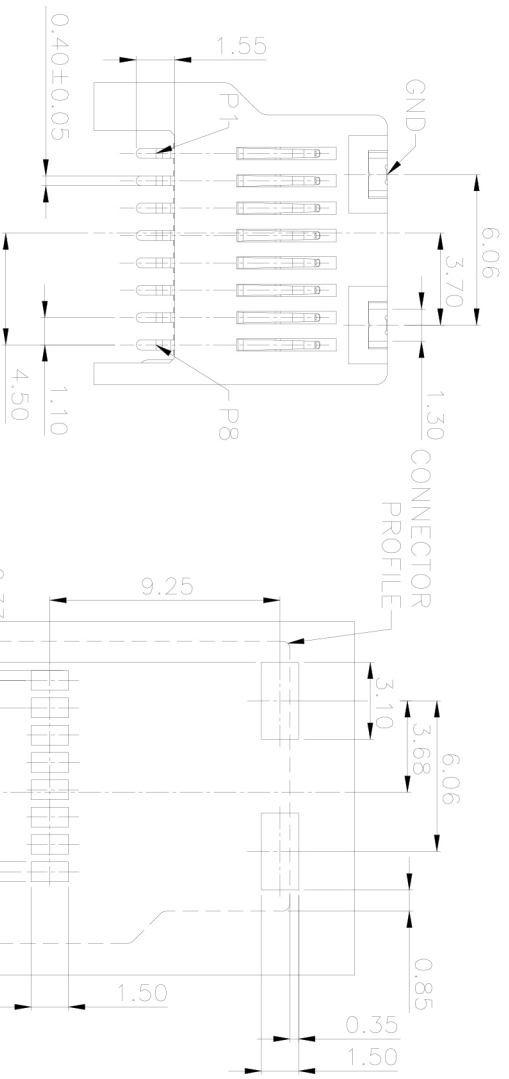
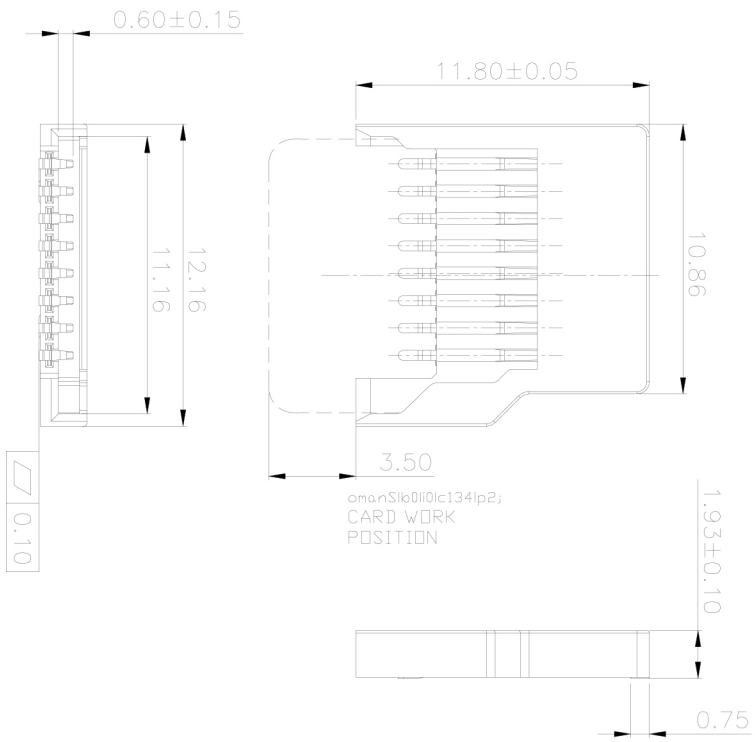
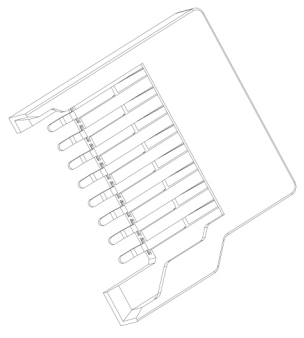


REV.	DESCRIPTION	DRAWN/DATE	APPROVED/DATE



RECOMMENDED PCB LAYOUT
TOLERANCES: ±0.05

- NOTES:
- 1) MATERIAL:
HOUSING: LCP MG350, UL 94V-0, 30%/F FILLED;
COLOR: BLACK
CONTACT: COPPER ALLOY T=0.15mm
GROUND: STAINLESS T=0.15mm
 - 2) FINISH:
CONTACT: 1μ" GOLD PLATING ON CONTACT AREA
Tin 80μ" MIN PLATING ON SOLDER TAILS
50μ" MIN NICKEL UNDERPLATING OVER ALL
GROUND: Sn 100μ" MIN PLATING ON SOLDER TAILS
50μ" MIN NICKEL UNDERPLATING OVER ALL
 - 3) PRODUCT SPECIFICATIONS:
VOLTAGE RATING: 50V
CURRENT RATING: 0.5A
INSULATION RESISTANCE: 500MEG.OHM MIN
CONTACT RESISTANCE: 50 MILL.OHM MAX
OPERATION TEMPERATURE: -20° TO +85°
DURABILITY: 5000 CYCLES



Pin No.	NAME	TYPE	DESCRIPTION
1	DAT 2	I/O/PP	Date Line(bit2)
2	CD/DAT 3	I/O/PP	Card Detect/Date Line(bit3)
3	CMD	PP	Command Response
4	VDD	S	Supply Voltage
5	CLK	I	Colck
6	VSS	S	Supply Voltage Ground
7	DAT0	I/O/PP	Date Line(bit0)
8	DAT1	I/O/PP	Date Line(bit1)

GENERAL TOLERANCE	ANGLE TOLERANCE	DRAWN	DATE
X. ±0.50	X. ±30°	Coco	
.X ±0.35	.X ±20°	CHECK	DATE
.XX ±0.25	.XX ±10°	Jeny	
.XXX ±0.10		APPRO.	DATE
UNIT: mm	SCALE: 1:1	Jeft	
A4	SHEET: 1 of 1		
台湾汉博电子科技有限公司 Taiwan Han Bo Electronic Technology Co.Ltd.		FILE NAME (品名)	Memory-Card-Sockets
		PART NO (料号)	TF-017
DRAWING NO.(图号)			
		REV.	A

X-ON Electronics

Largest Supplier of Electrical and Electronic Components

Click to view similar products for [Standard Card Edge Connectors](#) category:

Click to view products by [Hanbo Electronic](#) manufacturer:

Other Similar products are found below :

[6565204-6](#) [PKC-156](#) [1437274-4](#) [147889-1](#) [1489165-4](#) [EBT156-12B1X](#) [EBT15622B2X](#) [EBT156-22R2W](#) [1-582587-1](#) [1-582589-1](#) [2-6437275-9](#) [284-0102-12100](#) [306022901000000](#) [307-012-502-202](#) [307-024-526-201](#) [307-056-520-300](#) [307-080-526-208](#) [1926088-2](#) [245-062-520-350](#) [287-0032-12101](#) [306-010-500-112](#) [306-028-525-102](#) [306-240-318](#) [307-036-502-202](#) [307-036-521-301](#) [307-072-526-202](#) [345-060-559-303](#) [368-004-520-201](#) [392-008-559-201](#) [534671-1](#) [5-530501-5](#) [341-240-317](#) [345-029-520-300](#) [345-030-500-301](#) [345-044-500-300](#) [345-220-058](#) [346-240-318](#) [357-030-526-201](#) [387-012-523-300](#) [395-044-520-300](#) [395-100-524-300](#) [50-12B-10](#) [50-6SN-5](#) [09-07-2032](#) [10035388-106LF](#) [10035388-802LF](#) [10115859-011LF](#) [10122859-009LF](#) [101269333204245CLF](#) [10127905-B04B24BLF](#)