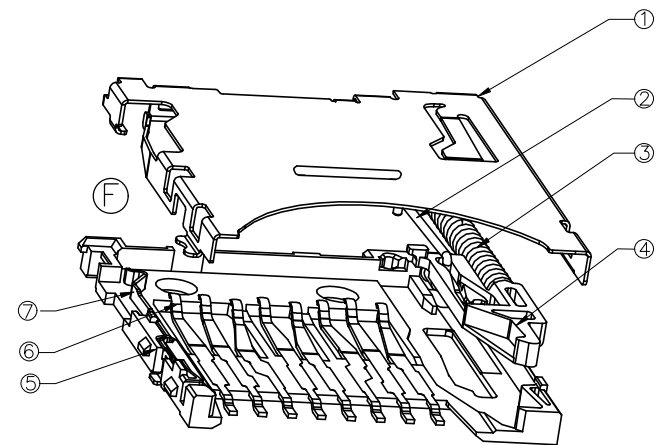
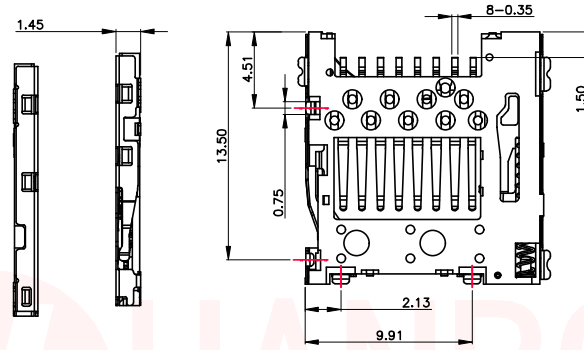
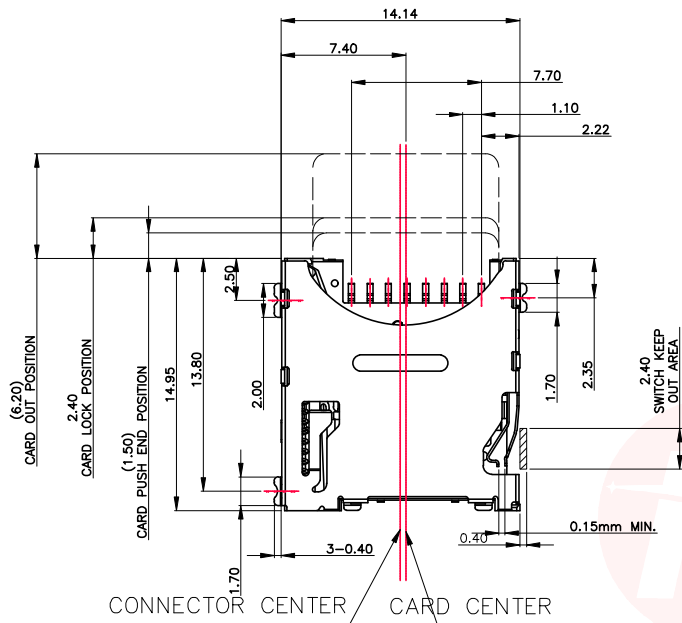
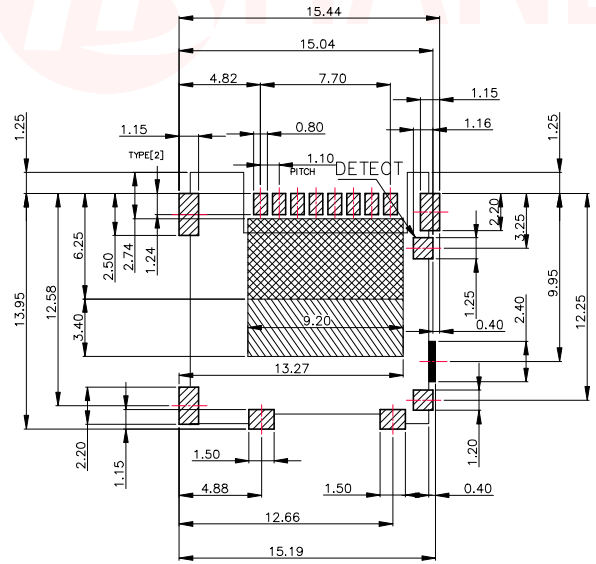
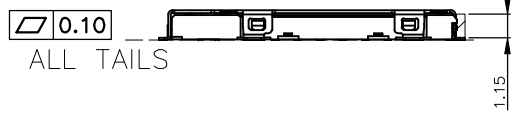




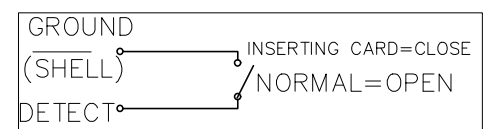
REV.	ECN NO OR DESCRIPTION	REVISED	DATE



- COPLANARTY SPEC. FOR ALL SOLDER TAILS AND SOLDER PADS IS 0.1mm MAX.
- ELECTRICAL CHARACTERISTICS:
 - 2-1. CURRENT RATING: 0.5 Amp. MAX.
 - 2-2. VOLTAGE: 100V DC. MAX.
 - 2-3. LOW LEVEL CONTACT RESISTANCE: 100 mOhms MAX. INITIALLY.
 - 2-4. DIELECTRIC WITHSTANDING VOLTAGE: 500V AC MIN. FOR 1 MINUTE.
 - 2-5. INSULATION RESISTANCE: (INITIAL) 1000Mohms MIN., (FINAL) 100Mohms MIN. BY APPLYING 500V DC ON MATED AND UNMATED CONNECTORS THROUGH MIL-STD-202, METHOD 302.
- MECHANICAL CHARACTERISTICS:
 - 3-1. DURABILITY: 5000 CYCLES.
 - 3-2. OPERATING TEMP. RANGE: -25°C TO 85°C. [INCLUDING TERM. TEMP. RISE]
 - 3-3. STORAGE TEMP.: -40°C TO 85°C.
- QUANTITY OF PRODUCTS: 1400PCS/REEL
- PLEASE CONTACT BaoXunJie SALES REPRESENTATIVE TO VERIFY PRODUCT DETAILS.



TERM 1	DATA 2
TERM 2	CD/DATA 3
TERM 3	CMD
TERM 4	VDD
TERM 5	CLK
TERM 6	VSS
TERM 7	DATA 0
TERM 8	DATA 1



NO.	PART NAME	QTY	DESCRIPTION
7	DETECT	1	COPPER ALLOYGOLD PLATING
6	TERMINAL	1	COPPER ALLOYGOLD PLATING
5	HOUSING	1	THERMAL PLASTIC
4	SLIDER	1	THERMAL PLASTIC
3	SPRING	1	SUS
2	CAM FOLLOWER	1	SUS
1	SHELL	1	SUS Ni PLATING

RECOMMENDED PCB PATTERN LAYOUT(TOP VIEW) TOLERANCE: ±0.05

⊞ SOLDERPROHIBITED AREA ⊞ PROHIBITED AREA ⊞ PATTERN PROHIBITED AREA

UNLESS OTHERWISE SPECIFIED TOLERANCES

DECIMALS:	ANGLES:
X ±0.50	X ±2°
X.X ±0.20	X.X ±1°
X.XX ±0.10	

东莞市汉博电子科技有限公司
DONGGUAN HANBO TECHNOLOGY CO., LTD

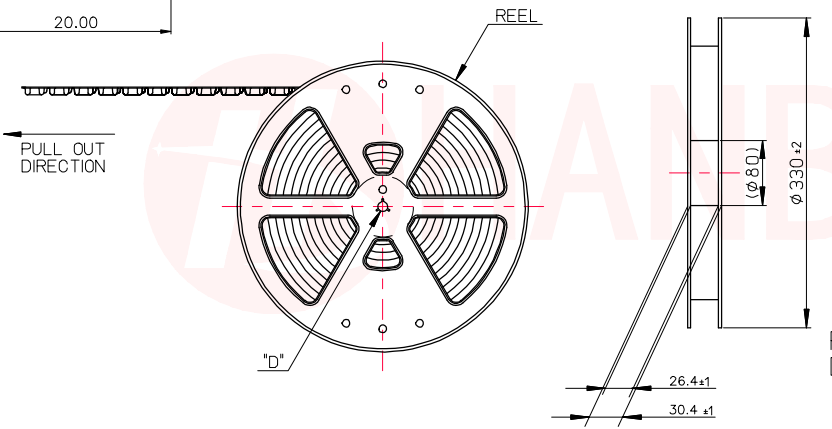
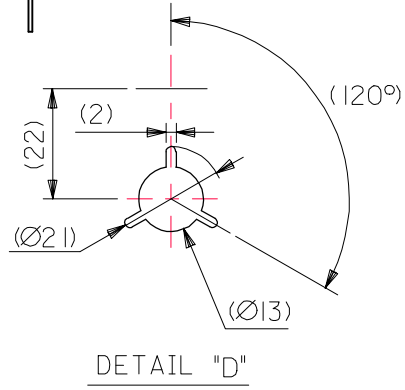
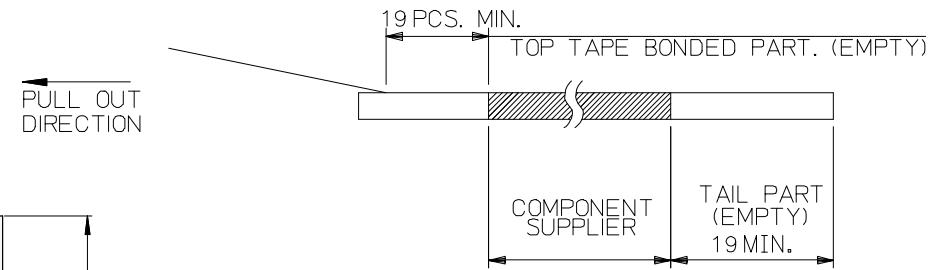
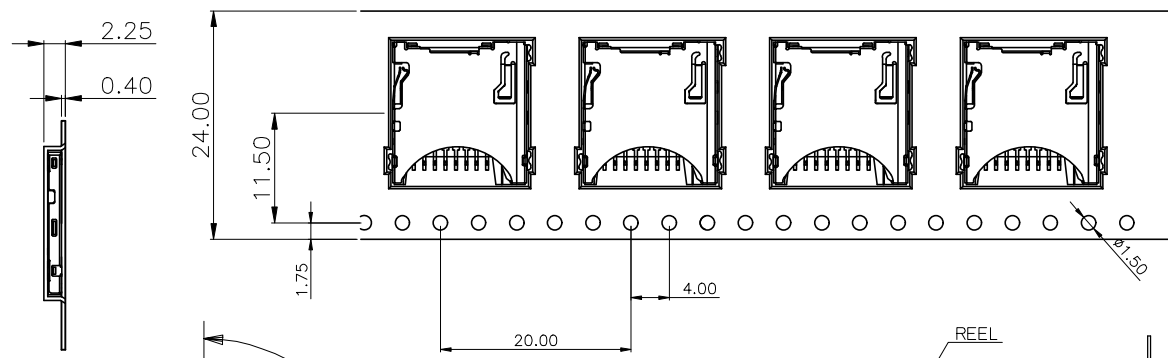
TITLE	1.45MM PUSH MICRO SD CARD CONN		
DWN	xiong	PART NO. TF-019	
CHKD	lee	SCALE:1:1	UNIT: mm
APVD	wang	SIZE: A4	SHEET:1OF 1
REV: A4			
CUSTOMER COPY			



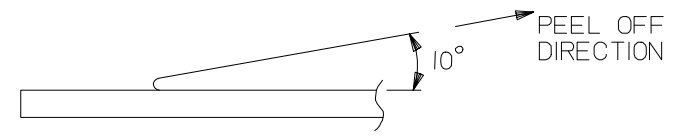
REV.	ECN NO OR DESCRIPTION	REVISED	DATE

NOTES

1. RE DETAILED DIMENSION, SEE PRODUCT DRAWING.
2. NUMBER OF CONNECTORS : 1500 PCS/REEL
3. LEAD TAPE LENGTH

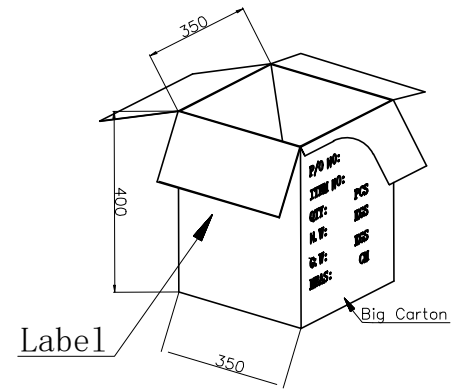
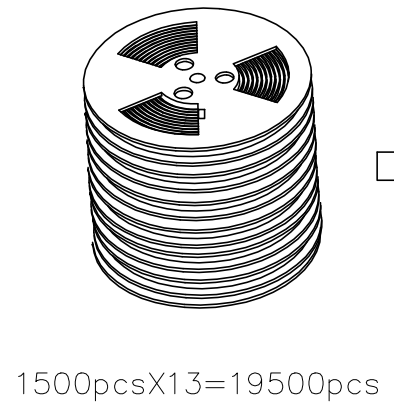


4. PEELING OFF FORCE OF TOP TAPE : 0.1N~1.3N(10gf~130gf)
 (PEELING DIRECTION AS SHOWN IN FOLLOWING FIG.)
 THIS REQUIREMENT SHOULD BE APPLIED AT SHIPMENT.
 PEEL OFF SHOULD NOT BE ALLOWED , DURING TRANSPORTION.



5. MATERIAL
 (CARRIER TAPE) : (POLYSTYRENE)
 (TOP TAPE) : PET
 (REEL) : (PS)

6. RoHS COMPLIANT



UNLESS OTHERWISE SPECIFIED TOLERANCES		东莞市汉博电子科技有限公司 DONGGUAN HANBO TECHNOLOGY CO., LTD			
DECIMALS:	ANGLES:	TITLE	1.45MM PUSH MICRO SD CARD CONN		
X : ±0.50	X : ±2°	DWN	xiong	PART NO. TF-019	
X.X : ±0.20	X.X : ±1°	CHKD	lee	SCALE:1:1	UNIT: mm
X.XX : ±0.10		APVD	wang	SIZE: A4	SHEET:10F 1
		REV: A4			
CUSTOMER COPY					

X-ON Electronics

Largest Supplier of Electrical and Electronic Components

Click to view similar products for [Memory Card Connectors](#) category:

Click to view products by [Hanbo Electronic](#) manufacturer:

Other Similar products are found below :

[M21-033321-005](#) [6407-249V-25273P](#) [6407-249V-25343P](#) [69.920.0553.0](#) [809180410000000](#) [DM3AT-SF-PEJM5\(41\)](#) [HMCAP001](#) [252-0144-000](#) [2041353-2](#) [308-DS1P0811-192](#) [33CFAE-DN](#) [HM2P09PDR360N9LF](#) [502431-1011](#) [10-629549-258N](#) [11327-001](#) [11327-002](#) [617230001](#) [95622-003LF](#) [N7E50-U516RB-50-SIN0005](#) [95079-00CALF](#) [84648-056HLF](#) [93-570123-08P](#) [125A-78C00](#) [MI20A-50PD-SF-EJL\(71\)](#) [KP10S-SF-PEJ\(812\)](#) [504536-0691](#) [CCM03-3109 B LFT](#) [MI21-50PD-SF\(91\)](#) [2309923-1](#) [61126-050CAHLF](#) [IC1GA-68PD-1.27DS-EJ\(72\)](#) [GTFFP08432B1HR](#) [G85DT17001P1EU](#) [G85C11101152HHR](#) [G85D1160022HHR](#) [KP15TL-SF\(800\)](#) [KP10BH-8S-SF\(800\)](#) [SCE2MSDB76A121SN](#) [SCE2MSDZN76A121SN](#) [C00710B0250001](#) [CCM01-2664 LFT T25](#) [119A-40A00-R02](#) [47309-2651](#) [47481-0001](#) [055036006202862+](#) [67799-0004](#) [91228-3006](#) [104168-1616](#) [104C-TAA1](#) [112I-TA01](#)