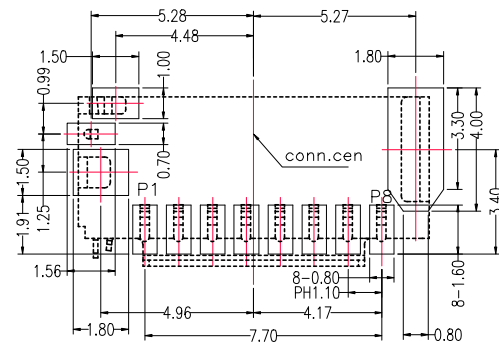
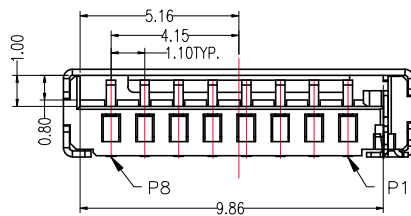
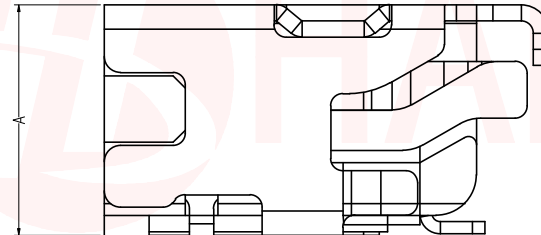
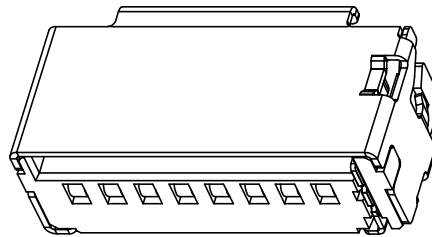
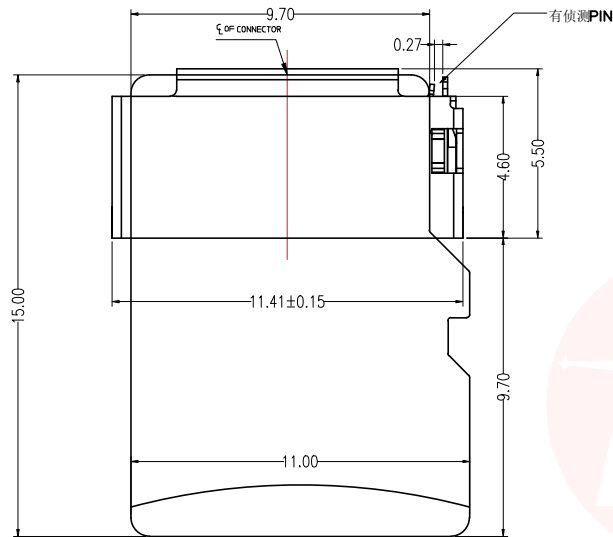




REV.	ECN NO OR DESCRIPTION	REVISED	DATE



RECOMMENDED PCB LAYOUT
TOLERANCES ±0.05

—NOTES—

- 1.Electrical:
Contact resistance:50m ohms max.
Dielectric withstanding voltage:500V RMS.
Insulation resistance:1000M ohms min.
- 2.Mechanical:
MATE AND UNMATE FORCE:
MATE FORCE:4.5kg MAX
UNMATE FORCE:0.5kg MIN
Durability:1500cycles MIN.
- 3.Environment:
Operating Temperature:−25°to+85°.
- 4.FINISH:
TERMINAL: GOLD Plated Over NICKEL
Contact area,TIN ON
SOLDER TAIL AREA& TIN
Plated ALL Over NICKEL.
Shell: SPCC WITH NICKEL&GOLD Plated.
- 5.COLOR:
HOUSING:BLACK.

Pin No.	NAME
1	DAT2
2	CD/DAT3
3	CMD
4	VDD
5	CLK
6	VSS
7	DAT0
8	DAT1

序号	DIM A	料号
1	3.00H	TF-027-H300
2	3.35H	TF-027-H335
3	3.75H	TF-027-H375
4	5.20H	TF-027-H520

UNLESS OTHERWISE
SPECIFIED TOLERANCES



东莞市汉博电子科技有限公司
DONGGUAN HANBO TECHNOLOGY CO., LTD

DECIMALS:	ANGLES:
X :±0.45	X :±2°
.X :±0.35	X.X :±1°
.XX :±0.25	
.XXX :±0.15	

TITLE	短体TF有侦测PIN (3.0H-5.2H)		
DWN	xiong	PART NO. TF-027-HXXX	
CHKD	lee	SCALE:1:1	UNIT: mm
APVD	wang	SIZE: A4	SHEET:10F 1
			REV: A4

CUSTOMER COPY

X-ON Electronics

Largest Supplier of Electrical and Electronic Components

Click to view similar products for [Memory Card Connectors](#) category:

Click to view products by [Hanbo Electronic](#) manufacturer:

Other Similar products are found below :

[M21-033321-005](#) [6407-249V-25273P](#) [6407-249V-25343P](#) [6426-201-21343](#) [69.920.0553.0](#) [MCR60A-98D-2.54DSA\(70\)](#) [809180410000000](#)
[DM3AT-SF-PEJM5\(41\)](#) [IC11S-BUR-PNEJL\(71\)](#) [252-0144-000](#) [2041353-2](#) [308-DS1P0811-192](#) [HM2P09PDR360N9LF](#) [10014744-011TLF](#)
[11327-001](#) [11327-002](#) [617230001](#) [NX1-32T-KT3K\(05\)](#) [N7E50-U516RB-50-SIN0005](#) [68-580163-21S](#) [125A-78C00](#) [CCM03-3109 B LFT](#)
[2309923-1](#) [61126-050CAHLF](#) [IC1GA-68PD-1.27DS-EJ\(72\)](#) [GTFP08432B1HR](#) [SCE2MSDZN76A121SN](#) [10014744-011ALF](#) [10014744-](#)
[011LF](#) [10057542-1211FLF](#) [10067972-000LF](#) [10067972-050LF](#) [10122302-20110LF](#) [G85D1162022HHR](#) [MUP-C7809-1](#) [NANO SIM 7P](#)
[H1.37](#) [MICRO SIM 7P H1.35](#) [TF-CARD H1.8 SY](#) [MICRO SIM 6P H1.35](#) [TF-CARD H1.8](#) [TF-115Y-BCP9](#) [TF-115YY-ACP9](#) [SMN-309-](#)
[ARP6](#) [TF-115Y-ACP9](#) [TF-108-ARP10](#) [SMN-303S-ACP7](#) [SNO-14100](#) [SD-112S](#) [MUP-C7804-1](#) [KH-TF-07DT](#)