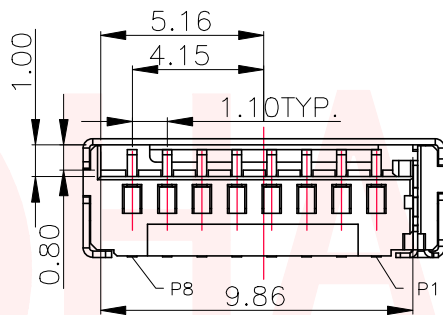
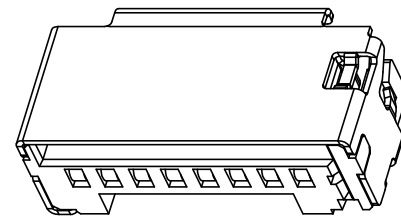
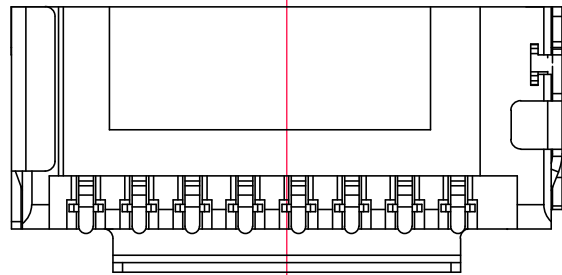
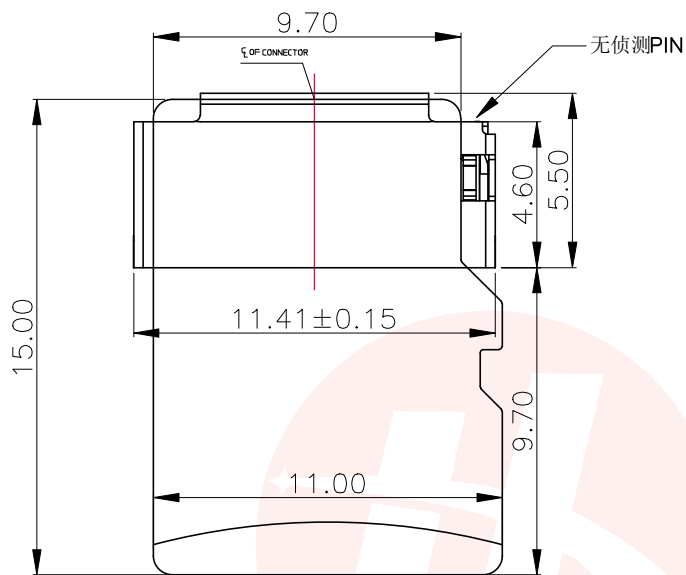


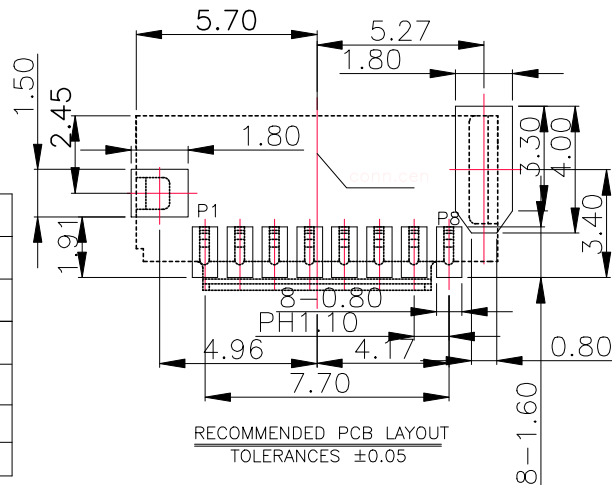
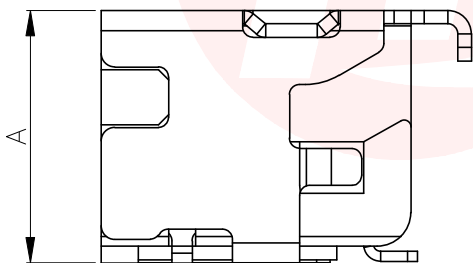


REV.	ECN NO OR DESCRIPTION	REVISED	DATE



—NOTES—

- Electrical:**
Contact resistance: 50m ohms max.
Dielectric withstanding voltage: 500V RMS.
Insulation resistance: 1000M ohms min.
- Mechanical:**
MATE AND UNMATE FORCE:
MATE FORCE: 4.5kg MAX
UNMATE FORCE: 0.5kg MIN
Durability: 1500cycles MIN.
- Environment:**
Operating Temperature: -25° to +85°.
- FINISH:**
TERMINAL: GOLD Plated Over NICKEL
Contact area, TIN ON
SOLDER TAIL AREA & TIN
Plated ALL Over NICKEL.
Shell: SPCC WITH NICKEL & GOLD Plated.
- COLOR:**
HOUSING: BLACK.



Pin No.	NAME
1	DAT2
2	CD/DAT3
3	CMD
4	VDD
5	CLK
6	VSS
7	DAT0
8	DAT1

序号	DIM A	料号
1	2.65H	TF-028-H265
2	2.85H	TF-028-H285
3	3.00H	TF-028-H300
4	3.35H	TF-028-H335
5	3.75H	TF-028-H375
6	5.20H	TF-028-H520

UNLESS OTHERWISE SPECIFIED TOLERANCES

DECIMALS:	ANGLES:
X ±0.45	X ±2°
X.X ±0.35	X.X ±1°
X.XX ±0.25	



东莞市汉博电子科技有限公司
DONGGUAN HANBO TECHNOLOGY CO., LTD

TITLE	短型 TF CARD 无侦测 H=2.65-5.2H		
DWN	xiong	PART NO.	TF-028-HXXX
CHKD	lee	SCALE: 1:1	UNIT: mm
APVD	wang	SIZE: A4	SHEET: 10F 1
REV: A4			
CUSTOMER COPY			

X-ON Electronics

Largest Supplier of Electrical and Electronic Components

Click to view similar products for [Memory Card Connectors](#) category:

Click to view products by [Hanbo Electronic](#) manufacturer:

Other Similar products are found below :

[M21-033321-005](#) [6407-249V-25273P](#) [6407-249V-25343P](#) [6426-201-21343](#) [69.920.0553.0](#) [MCR60A-98D-2.54DSA\(70\)](#) [809180410000000](#)
[DM3AT-SF-PEJM5\(41\)](#) [IC11S-BUR-PNEJL\(71\)](#) [252-0144-000](#) [2041353-2](#) [308-DS1P0811-192](#) [HM2P09PDR360N9LF](#) [10014744-011TLF](#)
[11327-001](#) [11327-002](#) [617230001](#) [NX1-32T-KT3K\(05\)](#) [N7E50-U516RB-50-SIN0005](#) [68-580163-21S](#) [125A-78C00](#) [CCM03-3109 B LFT](#)
[2309923-1](#) [61126-050CAHLF](#) [IC1GA-68PD-1.27DS-EJ\(72\)](#) [GTFP08432B1HR](#) [SCE2MSDZN76A121SN](#) [10014744-011ALF](#) [10014744-](#)
[011LF](#) [10057542-1211FLF](#) [10067972-000LF](#) [10067972-050LF](#) [10122302-20110LF](#) [G85D1162022HHR](#) [MUP-C7809-1](#) [NANO SIM 7P](#)
[H1.37](#) [MICRO SIM 7P H1.35](#) [TF-CARD H1.8 SY](#) [MICRO SIM 6P H1.35](#) [TF-CARD H1.8](#) [TF-115Y-BCP9](#) [TF-115YY-ACP9](#) [SMN-309-](#)
[ARP6](#) [TF-115Y-ACP9](#) [TF-108-ARP10](#) [SMN-303S-ACP7](#) [SNO-14100](#) [SD-112S](#) [MUP-C7804-1](#) [KH-TF-07DT](#)