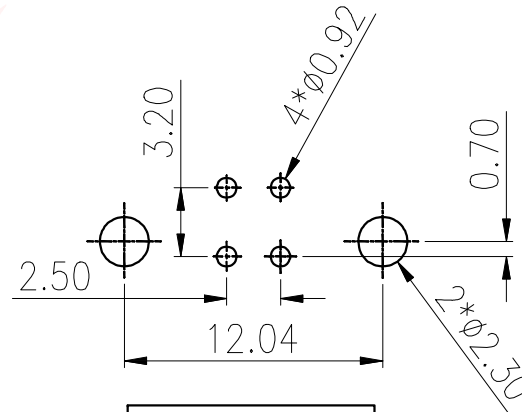
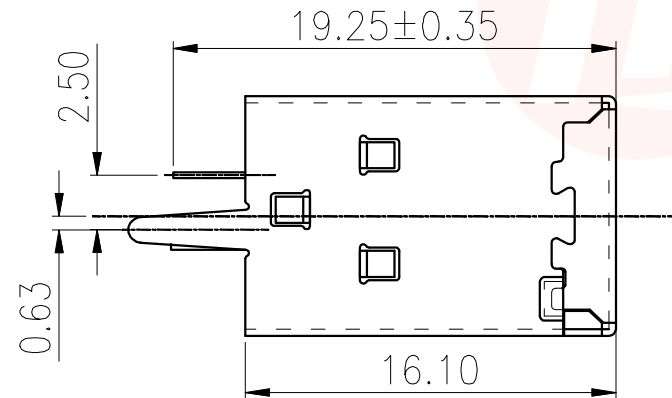
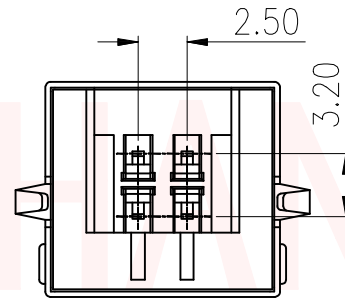
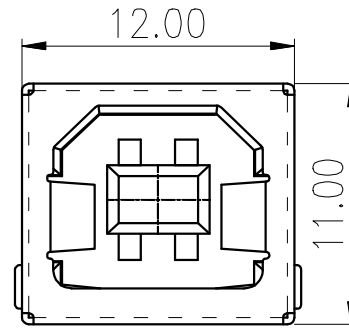
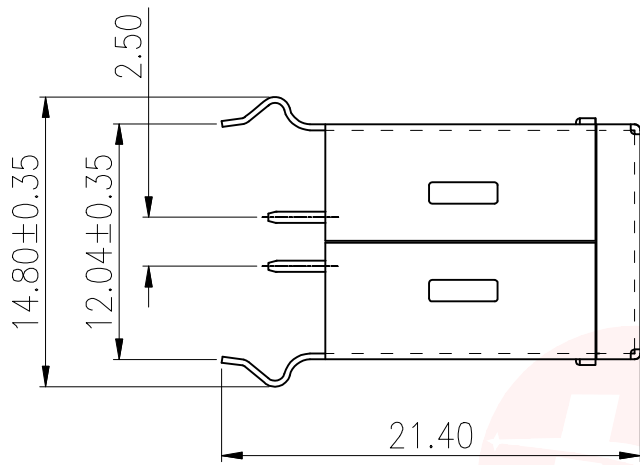




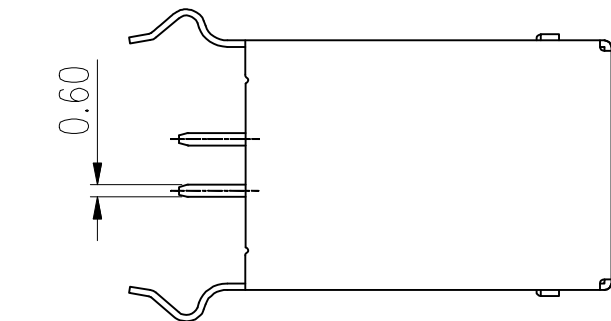
| REV. | ECN NO OR DESCRIPTION | REVISED | DATE |
|------|-----------------------|---------|------|
|      |                       |         |      |
|      |                       |         |      |



**PCB.LAYOUT**

**NOTES:**

- 1.MATERIAL:
  - 1.1 Housing:PBT ,UL94-HB
  - 1.2 terminals:Copper Alloy  
Gold plated in contact area:  
Tin 40u"min plated in termination  
Nickel Plated overall
  - 1.3 Shell:SPCC t=0.30mm,  
Nickel 40u"min Plated overall
- 2.ELECTRICAL CHARACTERISTICS:
  - 2.1 Rating Current :1.5 Ampere
  - 2.2 Rating Voltage :30 V Max
  - 2.3 Contact Resistance:30 Milli ohms
  - 2.4 Insulation Resistance:1000 Mega ohms Min.
- 3.MECHANICAL CHARACTERISTICS:
  - 3.1 Connector Mating force: 35N MAX(3.57Kgf)
  - 3.2 Connector Unmating force:10N min(1.02Kgf)
  - 3.3 Durability:1500Cycles.
- 4.ENVIRONMENT CHARACTERISTICS:
  - 4.1 Operating temperature:-0℃ to +50℃
  - 4.2 Storage temperature:-20℃ to +60℃



|                                       |          |   |               |                              |
|---------------------------------------|----------|---|---------------|------------------------------|
| UNLESS OTHERWISE SPECIFIED TOLERANCES |          | 东莞市汉博电子科技有限公司<br>DONGGUAN HANBO TECHNOLOGY CO., LTD |               |                              |
| DECIMALS:                             | ANGLES:  | TITLE   | USB BF 180度弯脚 |                              |
| X :±0.30                              | X :±2°   | DWN   | xiong         | PART NO. USB-U201-BWS        |
| X.X :±0.20                            | X.X :±1° | CHKD  | lee           | SCALE:1:1 UNIT: mm           |
| X.XX :±0.10                           |          | APVD  | wang          | SIZE: A4 SHEET:1OF 1 REV: A4 |
| CUSTOMER COPY                         |          |   |               |                              |

## X-ON Electronics

Largest Supplier of Electrical and Electronic Components

*Click to view similar products for [USB Connectors](#) category:*

*Click to view products by [Hanbo Electronic](#) manufacturer:*

Other Similar products are found below :

[950](#) [A-USB B-TOP-C](#) [MUSBA511N5](#) [MUSBC111M5](#) [MUSBD11135](#) [17-200721](#) [217450-1](#) [KMBVX-TH-5S-B30](#) [896-30-004-00-000000](#)  
[KUSBX-AS2N-W](#) [KUSBX-SMT2AP1S-W30](#) [935](#) [957](#) [30-498-6](#) [SK-60A-2](#) [1734082-1](#) [30-1574](#) [30-470](#) [30-489](#) [30-541](#) [A-USB A-2P-C](#)  
[MIKROE-1451](#) [USBFTV2PEM2G](#) [USBFTVSCCG](#) [4689-1](#) [1-1734084-2](#) [MUSBC11135](#) [USBF21ZNSCC](#) [USBBFTV6ZC](#) [MUSBB151341](#)  
[10135326-001LF](#) [M9177/3-1](#) [TJ-105](#) [USB-A-S-F-B-VT](#) [4198](#) [690-024-633-031](#) [UB-20PMFP-LC7001](#) [USBFTVC6MRG](#) [UA-20BMFA-](#)  
[SL8001](#) [17-200011](#) [USBFTVC7ZC](#) [UB-20AFMM-LL7A01](#) [USBFTVC2MN](#) [CAP-WCCMLPB1](#) [1310-1031-01](#) [2041386-1](#) [2274475-3](#) [UB-](#)  
[20BMFA-SL8001](#) [UB-20PMFP-SC8003](#) [914-614A2025S10200](#)