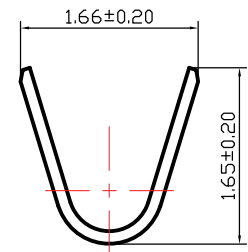
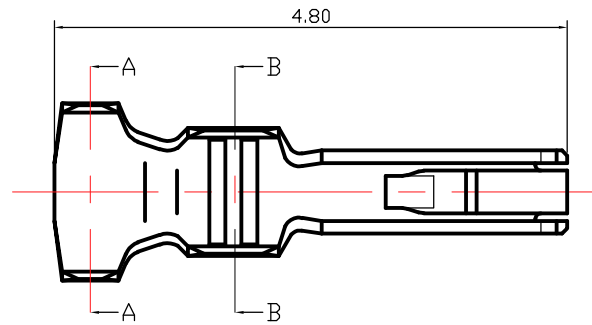
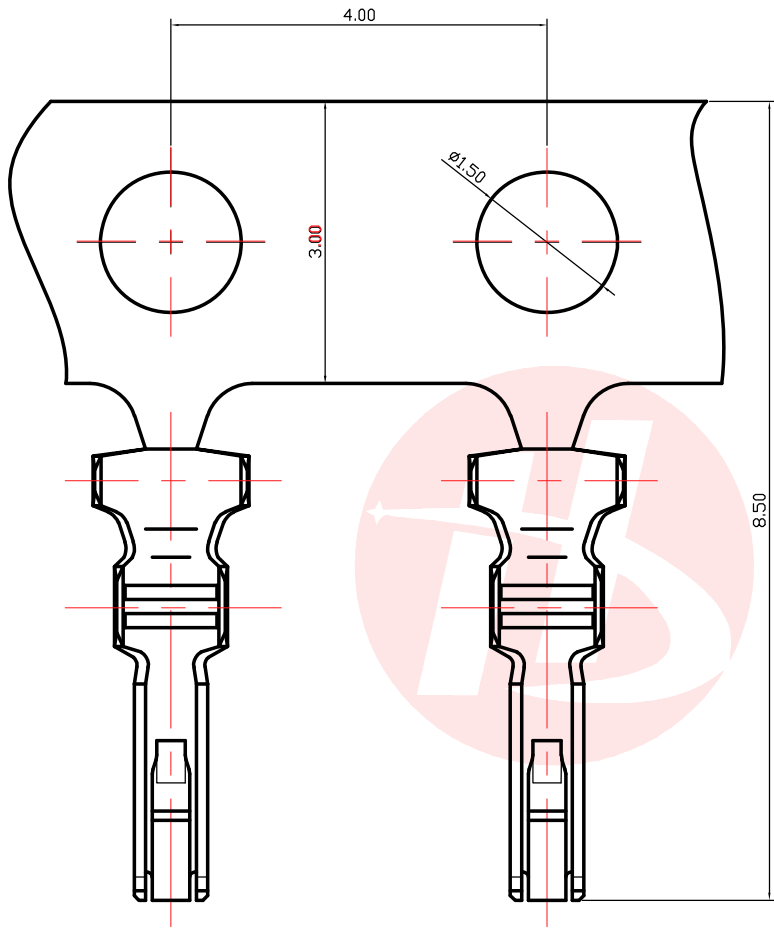
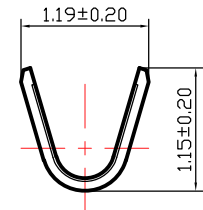
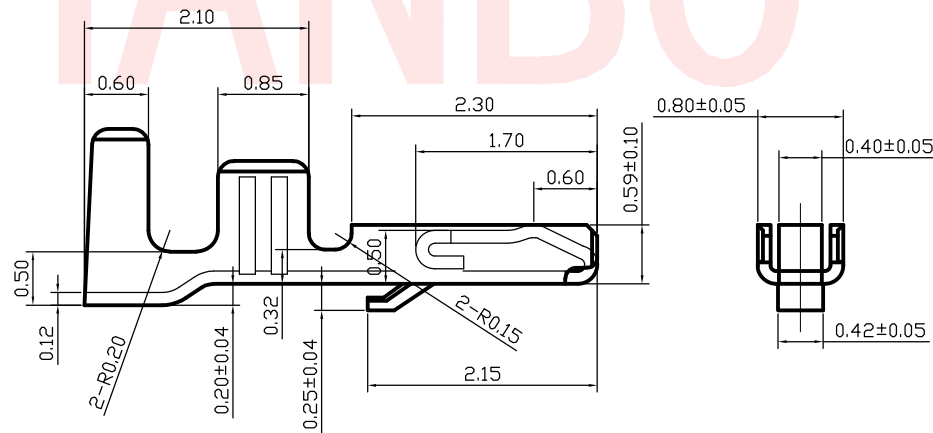




REV.	ECN NO OR DESCRIPTION	REVISED	DATE



A-A



B-B

**SPECIFICATIONS**

- 1、Current Rating: 1A AC, DC
- 2、Voltage Rating: 50V AC, DC
- 3、Temperatuer Range:  $-25^{\circ}\text{C} \sim +85^{\circ}\text{C}$
- 4、Contact Resistance:  $20\text{m}\Omega$  Max
- 5、Insulation Resistance:  $100\text{M}\Omega$  Min
- 6、Withstanding Voltang: 500V AC/minute
- 7、Material: Phosphoric bronze Tin-plated
- 8、Applicable Wire Sizes: AWG#26~32#

UNLESS OTHERWISE SPECIFIED TOLERANCES

DECIMALS:	ANGLES:
X : $\pm 0.30$	X : $\pm 2^{\circ}$
X.X : $\pm 0.20$	X.X : $\pm 1^{\circ}$
X.XX : $\pm 0.10$	



东莞市汉博电子科技有限公司  
DONGGUAN HANBO TECHNOLOGY CO., LTD

TITLE	WAFER GH1.25 配套端子		
DWN	xiong	PART NO. WAFER-GH125DZ	
CHKD	lee	SCALE: 1:1	UNIT: mm
APVD	wang	SIZE: A4	SHEET: 10F 1
REV: A4			
CUSTOMER COPY			



REV.	ECN NO OR DESCRIPTION	REVISED	DATE

### SPECIFICATIONS

- 1、Current Rating: 1A AC, DC
- 2、Voltage Rating: 50V AC, DC
- 3、Temperatuer Range: -25°C~+85°C
- 4、Contact Resistance: 20mΩ Max
- 5、Insulation Resistance: 100MΩ Min
- 6、Withstanding Voltang: 500V AC/minute
- 7、Material:PA66, UL94V-0

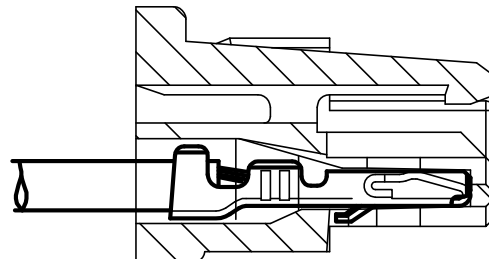
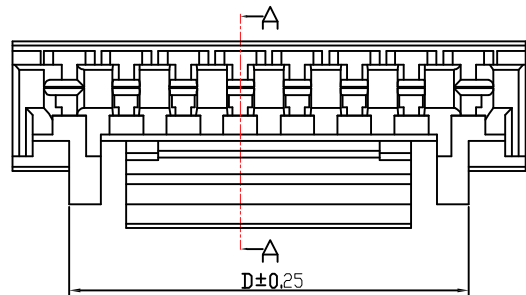
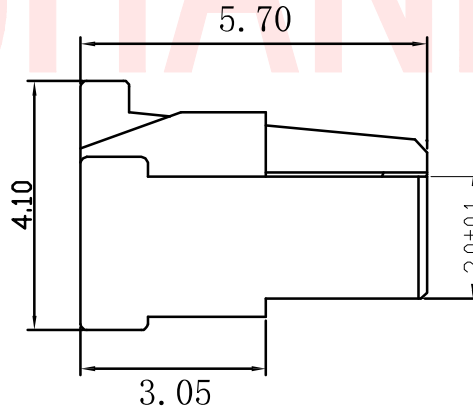
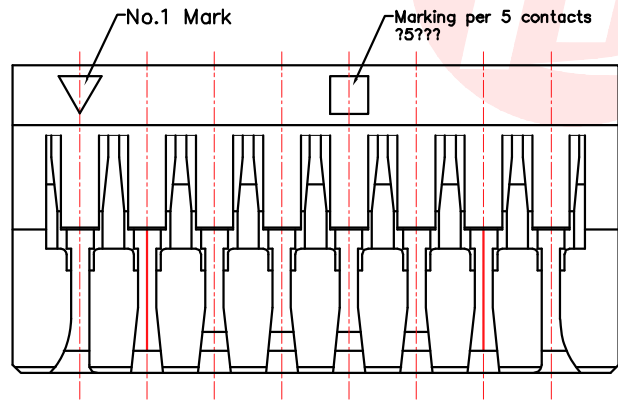
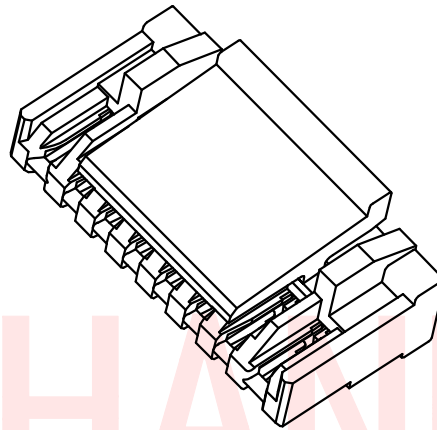
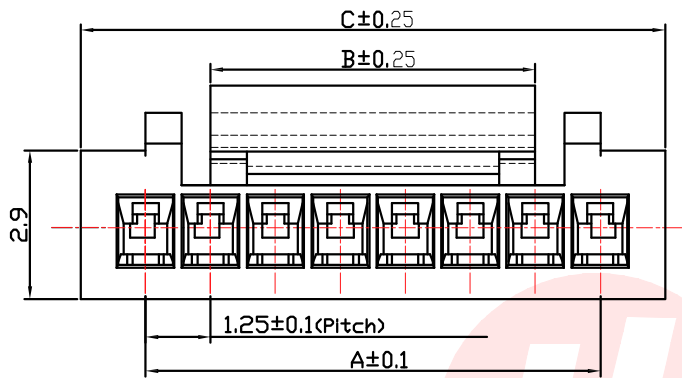


TABLE:

CSG PART NO.	PIN位	A	B	C	D
WAFER-GH125JK-2A	2PIN	1.25	2.00	3.75	——
WAFER-GH125JK-3A	3PIN	2.50	3.20	5.00	——
WAFER-GH125JK-4A	4PIN	3.75	4.00	6.25	——
WAFER-GH125JK-5A	5PIN	5.00	4.00	7.50	——
WAFER-GH125JK-6A	6PIN	6.25	6.25	8.75	——
WAFER-GH125JK-7A	7PIN	7.50	6.25	10.00	——
WAFER-GH125JK-8A	8PIN	8.75	6.25	11.25	8.75
WAFER-GH125JK-9A	9PIN	10.00	6.25	12.50	9.75
WAFER-GH125JK-10A	10PIN	11.25	8.20	13.75	11.00
WAFER-GH125JK-11A	11PIN	12.50	8.20	15.00	11.00
WAFER-GH125JK-12A	12PIN	13.75	8.20	16.25	11.00
WAFER-GH125JK-13A	13PIN	15.00	8.20	17.50	11.00
WAFER-GH125JK-14A	14PIN	16.25	8.20	18.75	11.00
WAFER-GH125JK-15A	15PIN	17.50	8.20	20.00	11.00

UNLESS OTHERWISE SPECIFIED TOLERANCES

DECIMALS: X :±0.20 X.X :±0.10 X.XX :±0.05  
 ANGLES: X :±2° X.X :±1°



东莞市汉博电子科技有限公司  
 DONGGUAN HANBO TECHNOLOGY CO., LTD

TITLE	WAFER GH 1.25胶壳			
DWN	xiong	PART NO. WAFER-GH125JK-NA		
CHKD	lee	SCALE:1:1	UNIT: mm	
APVD	wang	SIZE: A4	SHEET:10F 1	REV: A4

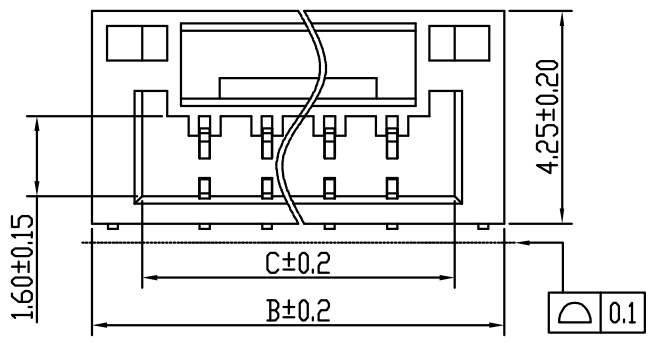
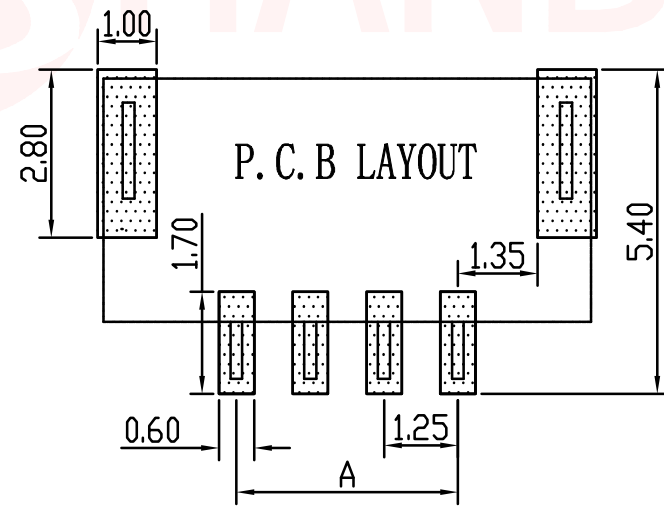
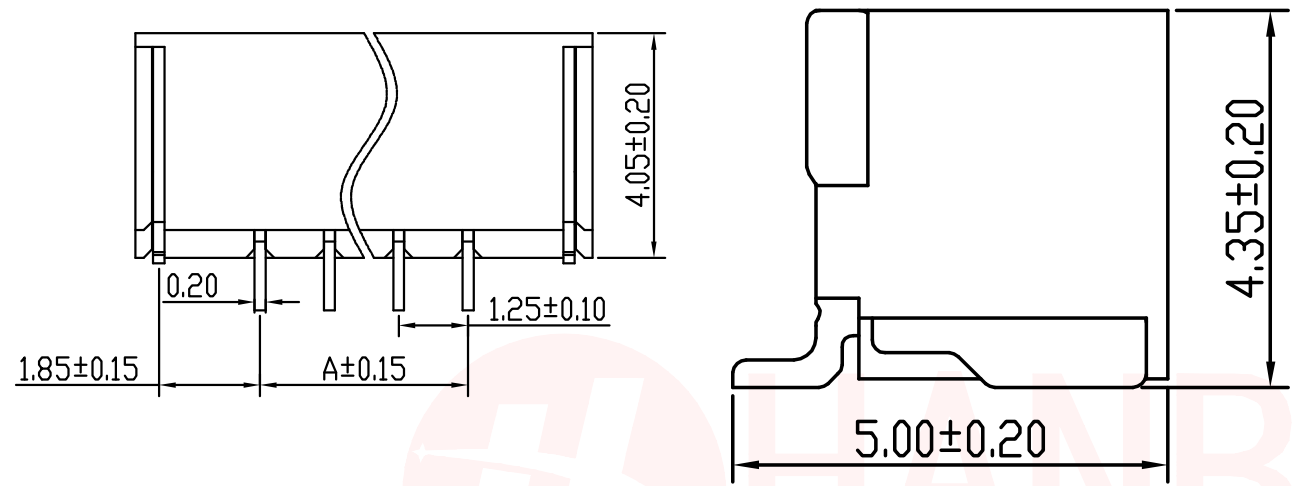
CUSTOMER COPY



REV.	ECN NO OR DESCRIPTION	REVISED	DATE

**SPECIFICATIONS**

- 1、Current Rating: 1A AC, DC
- 2、Voltage Rating: 50V AC, DC
- 3、Temperatuer Range: -25℃~+85℃
- 4、Contact Resistance: 20mΩ Max
- 5、Insulation Resistance: 100MΩ Min
- 6、Withstanding Voltang: 500V AC/minute
- 7、Material: Wafer PA6T/LCP, UL94V-0  
PIN Phosphoric bronze Tin-plated  
Solder tad Phosphoric bronze Tin-plated



**TABLE:**

CSG PART NO.	Dimension mm		
	A	B	C
WAFER-GH125W-2A	1.25	5.75	3.75
WAFER-GH125W-3A	2.50	7.00	5.00
WAFER-GH125W-4A	3.75	8.25	6.25
WAFER-GH125W-5A	5.00	9.50	7.50
WAFER-GH125W-6A	6.25	10.75	8.75
WAFER-GH125W-7A	7.50	12.00	10.00
WAFER-GH125W-8A	8.75	13.25	11.25
WAFER-GH125W-9A	10.00	14.50	12.50
WAFER-GH125W-10A	11.25	15.75	13.75
WAFER-GH125W-11A	12.50	17.00	15.00
WAFER-GH125W-12A	13.75	18.25	16.25
WAFER-GH125W-13A	15.00	19.50	17.50
WAFER-GH125W-14A	16.25	20.75	18.75
WAFER-GH125W-15A	17.50	22.00	20.00
WAFER-GH125W-16A	18.75	23.25	21.25

UNLESS OTHERWISE SPECIFIED TOLERANCES

DECIMALS: X :±0.20 X.X :±0.10 X.XX :±0.05

ANGLES: X :±5° X.X :±3° X.XX :±1°

**东莞市汉博电子科技有限公司**  
DONGGUAN HANBO TECHNOLOGY CO., LTD

TITLE: WAFER GH 1.25贴片 SMT TYPE

DWN: xiong PART NO. WAFER-GH125W-NA

CHKD: lee SCALE:1:1 UNIT: mm

APVD: wang SIZE: A4 SHEET:10F 1 REV: A4

CUSTOMER COPY



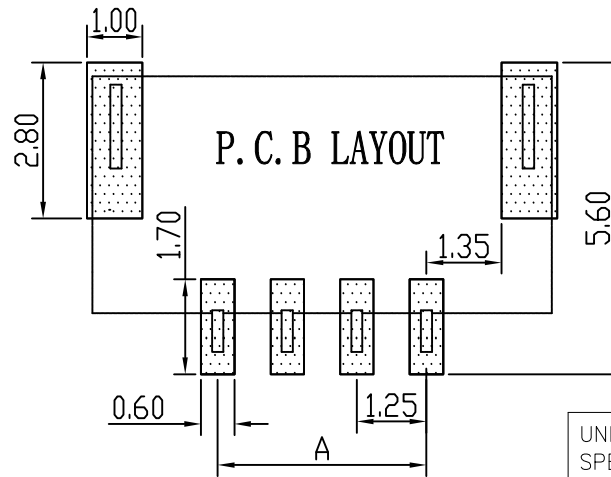
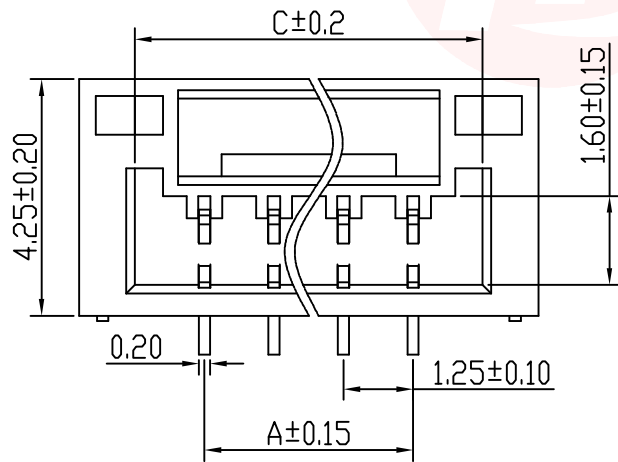
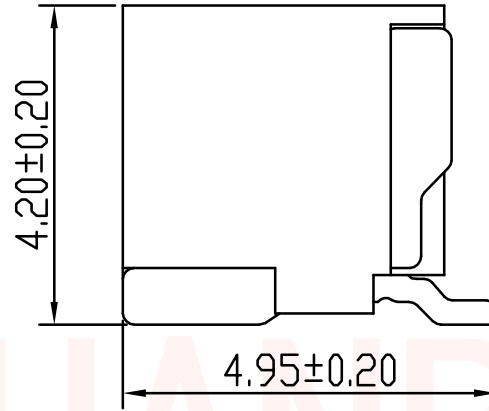
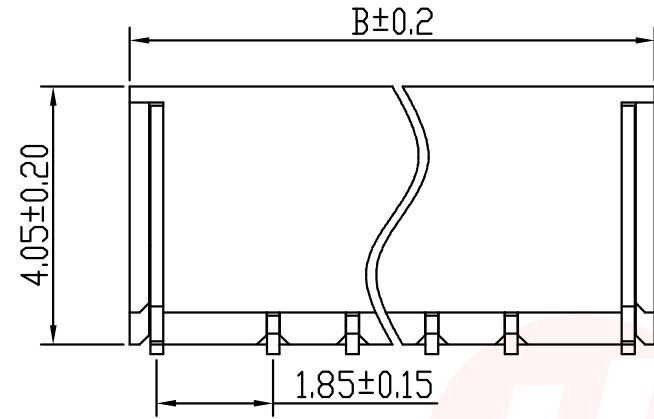
REV.	ECN NO OR DESCRIPTION	REVISED	DATE

**SPECIFICATIONS**

- 1、 Current Rating: 1A AC, DC
- 2、 Voltage Rating: 50V AC, DC
- 3、 Temperatuer Range: -25°C ~ +85°C
- 4、 Contact Resistance: 20mΩ Max
- 5、 Insulation Resistance: 100MΩ Min
- 6、 Withstanding Voltang: 500V AC/minute
- 7、 Material: Wafer PA6T/LCP, UL94V-0  
PIN Phosphoric bronze Tin-plated  
Solder tad Phosphoric bronze Tin-plated

**TABLE:**

CSG PART NO.	Dimension mm		
	A	B	C
WAFER-GH125L-2A	1.25	5.75	3.75
WAFER-GH125L-3A	2.50	7.00	5.00
WAFER-GH125L-4A	3.75	8.25	6.25
WAFER-GH125L-5A	5.00	9.50	7.50
WAFER-GH125L-6A	6.25	10.75	8.75
WAFER-GH125L-7A	7.50	12.00	10.00
WAFER-GH125L-8A	8.75	13.25	11.25
WAFER-GH125L-9A	10.00	14.50	12.50
WAFER-GH125L-10A	11.25	15.75	13.75
WAFER-GH125L-11A	12.50	17.00	15.00
WAFER-GH125L-12A	13.75	18.25	16.25
WAFER-GH125L-13A	15.00	19.50	17.50
WAFER-GH125L-14A	16.25	20.75	18.75
WAFER-GH125L-15A	17.50	22.00	20.00
WAFER-GH125L-16A	18.75	23.25	21.25



UNLESS OTHERWISE SPECIFIED TOLERANCES

DECIMALS: X ±0.20  
X.X ±0.10  
X.XX ±0.05

ANGLES: X ±5°  
X.X ±3°  
X.XX ±1°



东莞市汉博电子科技有限公司  
DONGGUAN HANBO TECHNOLOGY CO., LTD

TITLE	WAFER GH 1.25立贴 SMT TYPE		
DWN	xiong	PART NO. WAFER-GH125L-NA	
CHKD	lee	SCALE:1:1	UNIT: mm
APVD	wang	SIZE: A4	SHEET:10F 1
REV: A4			

CUSTOMER COPY

## X-ON Electronics

Largest Supplier of Electrical and Electronic Components

*Click to view similar products for [Headers & Wire Housings](#) category:*

*Click to view products by [Hanbo Electronic](#) manufacturer:*

Other Similar products are found below :

[0015917161](#) [0022155065](#) [57102-F02-18ULF](#) [58102-G61-06LF](#) [582553-1](#) [01.001.5753.1](#) [0050291907](#) [02.125.8002.8](#) [609-3404](#) [61062-3](#)  
[CSU011177004](#) [622-0430](#) [622-3653LF](#) [63453-116](#) [636-1030](#) [636-1427](#) [636-3427](#) [636-4007](#) [641938-9](#) [65495-038](#) [65692-001LF](#) [65781-018](#)  
[65781-047](#) [65817-010LF](#) [65817-015LF](#) [67095-007LF](#) [67601157](#) [68631-112](#) [68645-018](#) [699319-000](#) [70.362.1628.0](#) [70-4210](#) [70-4226B](#) [70-](#)  
[4853B](#) [71.350.2428.0](#) [733-134](#) [733-162](#) [760-3052](#) [MHR-64-VUAL](#) [80.063.4001.1](#) [800-90-001-10-001000](#) [801-43-002-10-013000](#)  
[801-43-006-10-002000](#) [803-43-024-10-001000](#) [803-93-012-10-001000](#) [8-1437020-4](#) [819-22-004-30-001101](#) [820-22-006-30-001101](#)  
[820-22-008-30-001101](#) [821-22-002-10-001101](#)