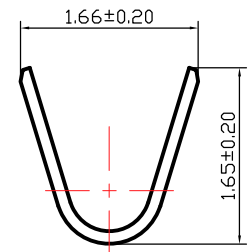
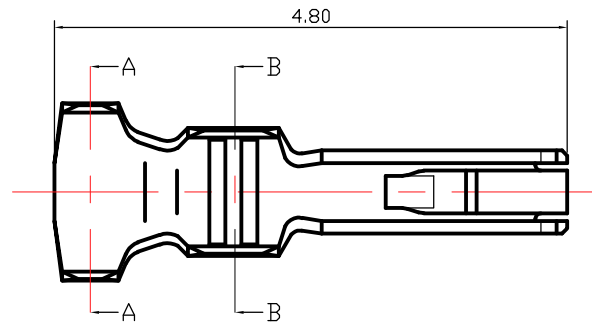
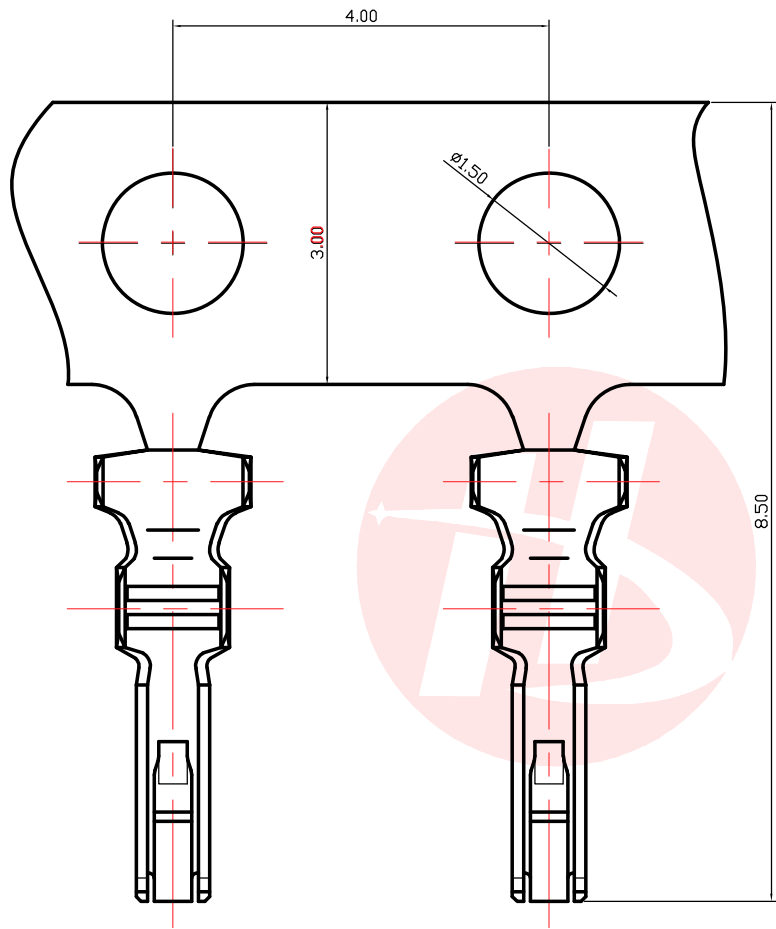
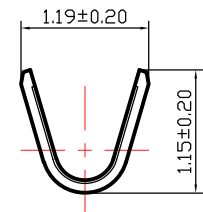
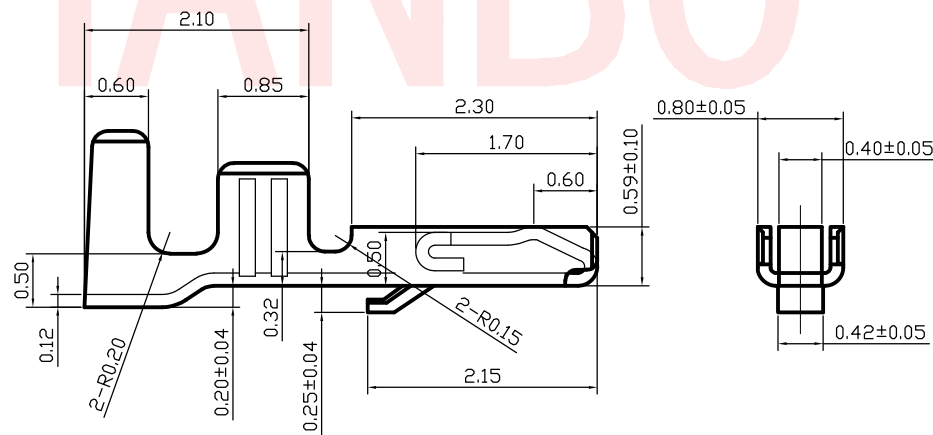




| REV. | ECN NO OR DESCRIPTION | REVISED | DATE |
|------|-----------------------|---------|------|
| | | | |
| | | | |



A-A



B-B

SPECIFICATIONS

- 1、Current Rating: 1A AC, DC
- 2、Voltage Rating: 50V AC, DC
- 3、Temperatuer Range: $-25^{\circ}\text{C} \sim +85^{\circ}\text{C}$
- 4、Contact Resistance: $20\text{m}\Omega$ Max
- 5、Insulation Resistance: $100\text{M}\Omega$ Min
- 6、Withstanding Voltang: 500V AC/minute
- 7、Material: Phosphoric bronze Tin-plated
- 8、Applicable Wire Sizes: AWG#26~32#

UNLESS OTHERWISE SPECIFIED TOLERANCES

| | |
|-------------------|-----------------------|
| DECIMALS: | ANGLES: |
| X : ± 0.30 | X : $\pm 2^{\circ}$ |
| X.X : ± 0.20 | X.X : $\pm 1^{\circ}$ |
| X.XX : ± 0.10 | |



东莞市汉博电子科技有限公司
DONGGUAN HANBO TECHNOLOGY CO., LTD

| | | | |
|---------------|-------------------|------------------------|--------------|
| TITLE | WAFER GH1.25 配套端子 | | |
| DWN | xiong | PART NO. WAFER-GH125DZ | |
| CHKD | lee | SCALE: 1:1 | UNIT: mm |
| APVD | wang | SIZE: A4 | SHEET: 10F 1 |
| REV: A4 | | | |
| CUSTOMER COPY | | | |



| | | | |
|------|-----------------------|---------|------|
| REV. | ECN NO OR DESCRIPTION | REVISED | DATE |
| | | | |

SPECIFICATIONS

- 1、Current Rating: 1A AC, DC
- 2、Voltage Rating: 50V AC, DC
- 3、Temperatuer Range: -25°C~+85°C
- 4、Contact Resistance: 20mΩ Max
- 5、Insulation Resistance: 100MΩ Min
- 6、Withstanding Voltang: 500V AC/minute
- 7、Material:PA66, UL94V-0

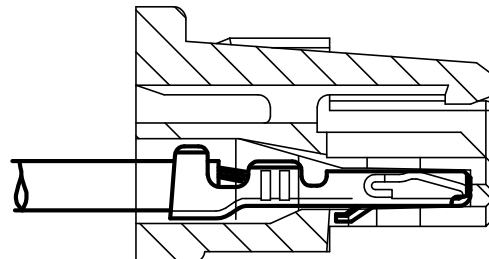
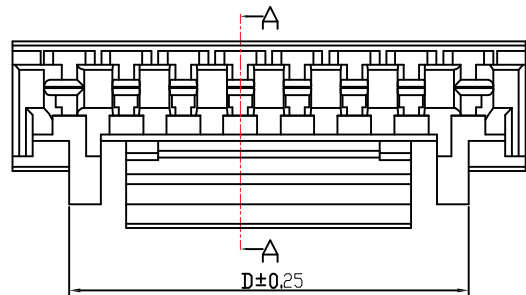
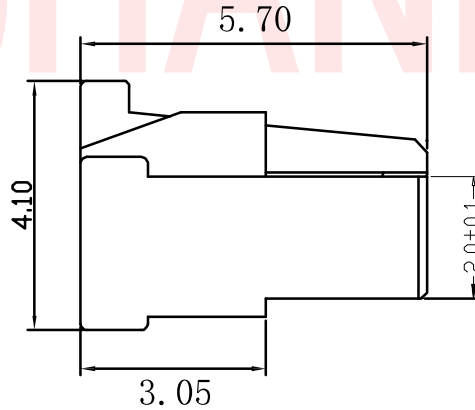
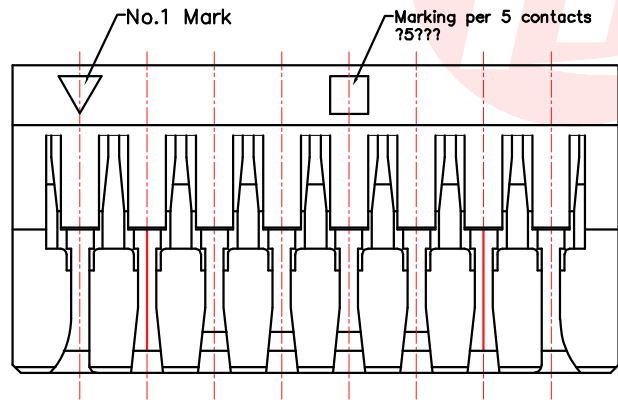
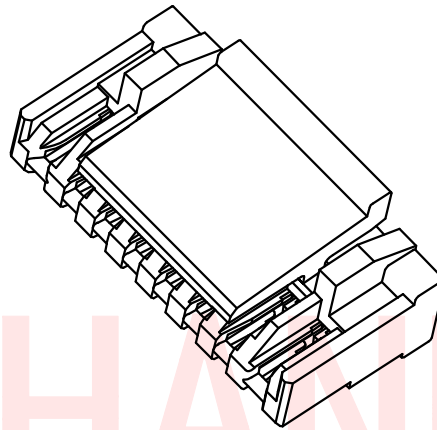
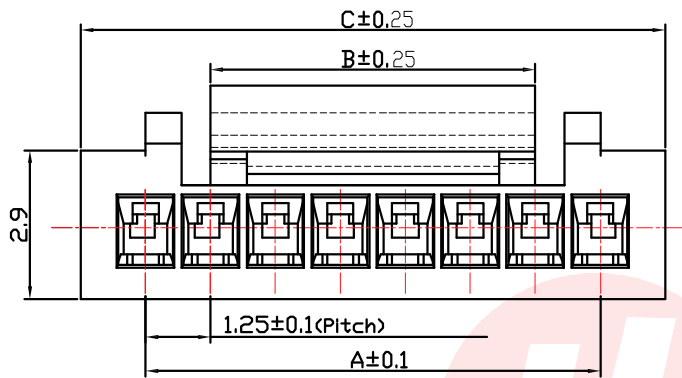


TABLE:

| CSG PART NO. | PIN位 | A | B | C | D |
|-------------------|-------|-------|------|-------|-------|
| WAFER-GH125JK-2A | 2PIN | 1.25 | 2.00 | 3.75 | —— |
| WAFER-GH125JK-3A | 3PIN | 2.50 | 3.20 | 5.00 | —— |
| WAFER-GH125JK-4A | 4PIN | 3.75 | 4.00 | 6.25 | —— |
| WAFER-GH125JK-5A | 5PIN | 5.00 | 4.00 | 7.50 | —— |
| WAFER-GH125JK-6A | 6PIN | 6.25 | 6.25 | 8.75 | —— |
| WAFER-GH125JK-7A | 7PIN | 7.50 | 6.25 | 10.00 | —— |
| WAFER-GH125JK-8A | 8PIN | 8.75 | 6.25 | 11.25 | 8.75 |
| WAFER-GH125JK-9A | 9PIN | 10.00 | 6.25 | 12.50 | 9.75 |
| WAFER-GH125JK-10A | 10PIN | 11.25 | 8.20 | 13.75 | 11.00 |
| WAFER-GH125JK-11A | 11PIN | 12.50 | 8.20 | 15.00 | 11.00 |
| WAFER-GH125JK-12A | 12PIN | 13.75 | 8.20 | 16.25 | 11.00 |
| WAFER-GH125JK-13A | 13PIN | 15.00 | 8.20 | 17.50 | 11.00 |
| WAFER-GH125JK-14A | 14PIN | 16.25 | 8.20 | 18.75 | 11.00 |
| WAFER-GH125JK-15A | 15PIN | 17.50 | 8.20 | 20.00 | 11.00 |

UNLESS OTHERWISE SPECIFIED TOLERANCES

DECIMALS: X :±0.20 X.X :±0.10 X.XX :±0.05
 ANGLES: X :±2° X.X :±1°



东莞市汉博电子科技有限公司
 DONGGUAN HANBO TECHNOLOGY CO., LTD

| | | | |
|---------|-----------------|---------------------------|-------------|
| TITLE | WAFER GH 1.25胶壳 | | |
| DWN | xiong | PART NO. WAFER-GH125JK-NA | |
| CHKD | lee | SCALE:1:1 | UNIT: mm |
| APVD | wang | SIZE: A4 | SHEET:10F 1 |
| REV: A4 | | | |

CUSTOMER COPY



| REV. | ECN NO OR DESCRIPTION | REVISED | DATE |
|------|-----------------------|---------|------|
| | | | |

SPECIFICATIONS

- 1、Current Rating: 1A AC, DC
- 2、Voltage Rating: 50V AC, DC
- 3、Temperatuer Range: -25℃~+85℃
- 4、Contact Resistance: 20mΩ Max
- 5、Insulation Resistance: 100MΩ Min
- 6、Withstanding Voltang: 500V AC/minute
- 7、Material: Wafer PA6T/LCP, UL94V-0
PIN Phosphoric bronze Tin-plated
Solder tad Phosphoric bronze Tin-plated

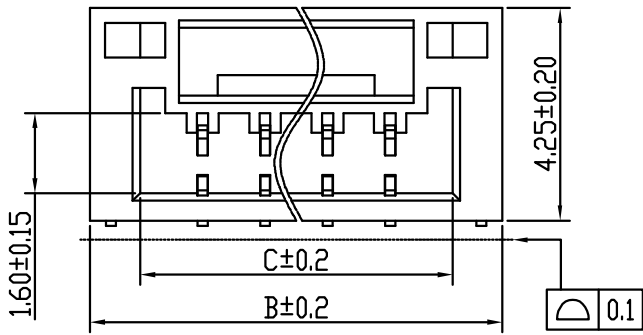
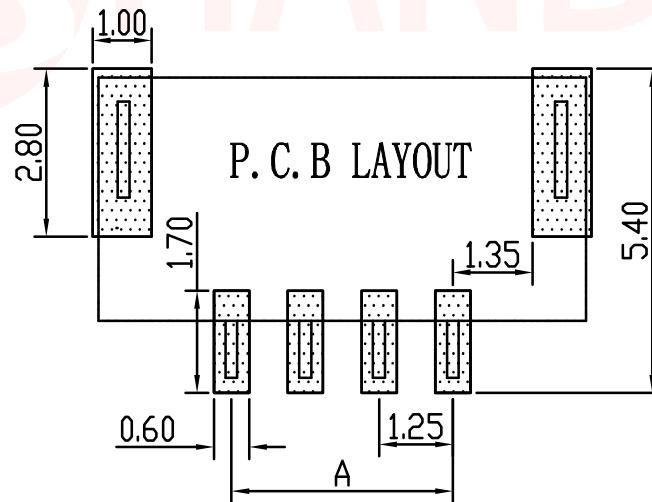
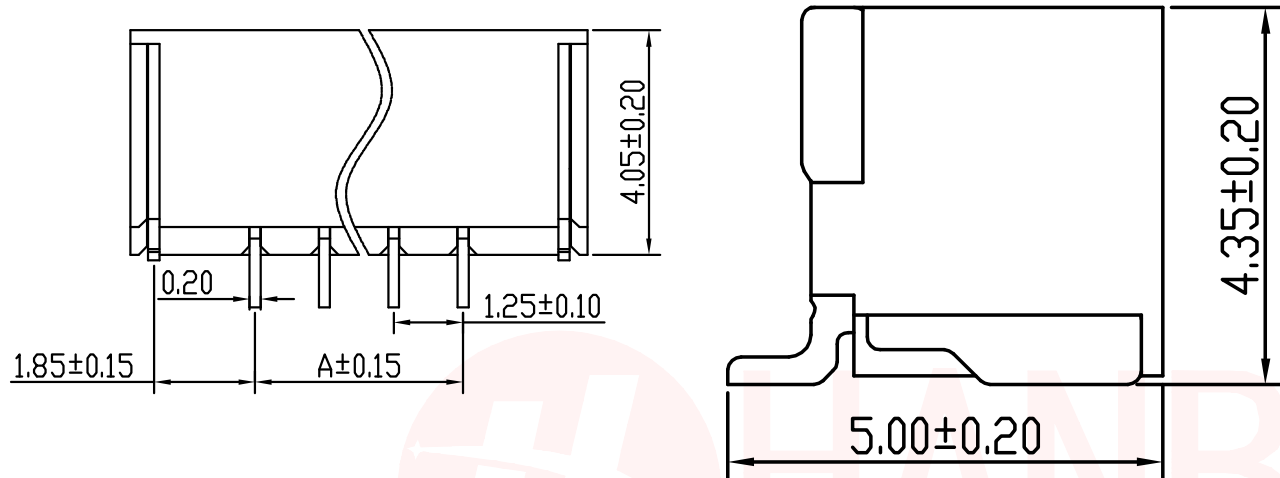


TABLE:

| CSG PART NO. | Dimension mm | | |
|------------------|--------------|-------|-------|
| | A | B | C |
| WAFER-GH125W-2A | 1.25 | 5.75 | 3.75 |
| WAFER-GH125W-3A | 2.50 | 7.00 | 5.00 |
| WAFER-GH125W-4A | 3.75 | 8.25 | 6.25 |
| WAFER-GH125W-5A | 5.00 | 9.50 | 7.50 |
| WAFER-GH125W-6A | 6.25 | 10.75 | 8.75 |
| WAFER-GH125W-7A | 7.50 | 12.00 | 10.00 |
| WAFER-GH125W-8A | 8.75 | 13.25 | 11.25 |
| WAFER-GH125W-9A | 10.00 | 14.50 | 12.50 |
| WAFER-GH125W-10A | 11.25 | 15.75 | 13.75 |
| WAFER-GH125W-11A | 12.50 | 17.00 | 15.00 |
| WAFER-GH125W-12A | 13.75 | 18.25 | 16.25 |
| WAFER-GH125W-13A | 15.00 | 19.50 | 17.50 |
| WAFER-GH125W-14A | 16.25 | 20.75 | 18.75 |
| WAFER-GH125W-15A | 17.50 | 22.00 | 20.00 |
| WAFER-GH125W-16A | 18.75 | 23.25 | 21.25 |

UNLESS OTHERWISE SPECIFIED TOLERANCES

DECIMALS: X :±0.20 X.X :±0.10 X.XX :±0.05

ANGLES: X :±5° X.X :±3° X.XX :±1°

东莞市汉博电子科技有限公司
DONGGUAN HANBO TECHNOLOGY CO., LTD

TITLE: WAFER GH 1.25贴片 SMT TYPE

DWN: xiong PART NO. WAFER-GH125W-NA

CHKD: lee SCALE:1:1 UNIT: mm

APVD: wang SIZE: A4 SHEET:10F 1 REV: A4

CUSTOMER COPY



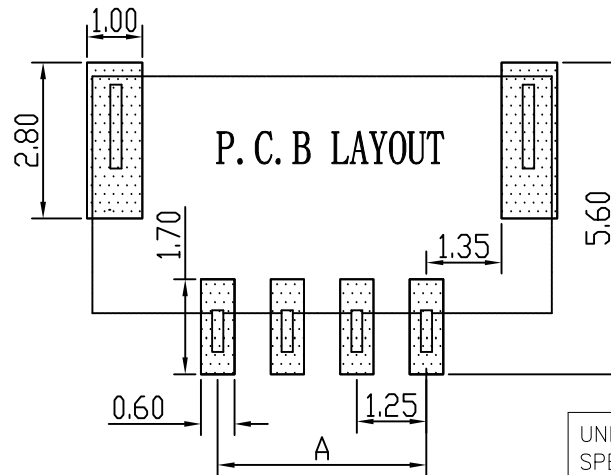
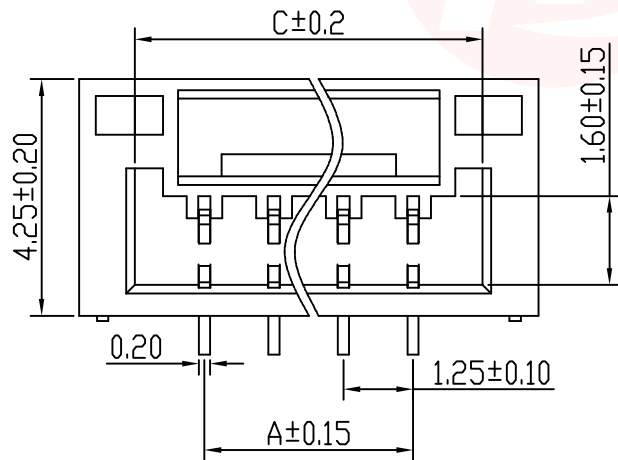
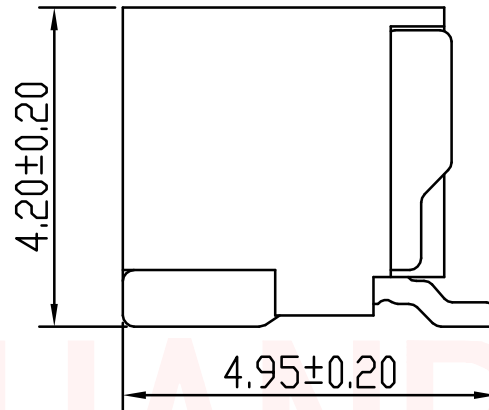
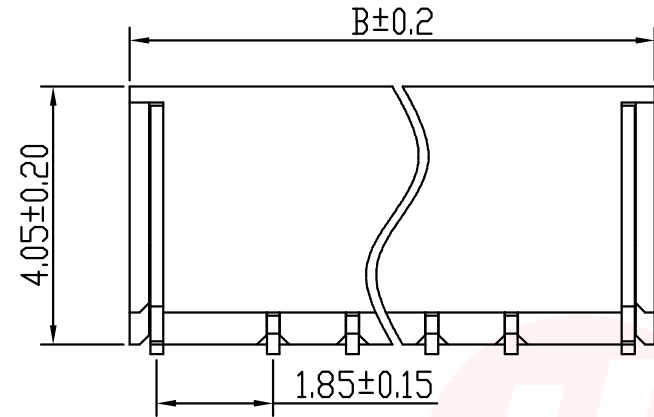
| REV. | ECN NO OR DESCRIPTION | REVISED | DATE |
|------|-----------------------|---------|------|
| | | | |

SPECIFICATIONS

- 1、 Current Rating: 1A AC, DC
- 2、 Voltage Rating: 50V AC, DC
- 3、 Temperatuer Range: -25°C ~ +85°C
- 4、 Contact Resistance: 20mΩ Max
- 5、 Insulation Resistance: 100MΩ Min
- 6、 Withstanding Voltang: 500V AC/minute
- 7、 Material: Wafer PA6T/LCP, UL94V-0
PIN Phosphoric bronze Tin-plated
Solder tad Phosphoric bronze Tin-plated

TABLE:

| CSG PART NO. | Dimension mm | | |
|------------------|--------------|-------|-------|
| | A | B | C |
| WAFER-GH125L-2A | 1.25 | 5.75 | 3.75 |
| WAFER-GH125L-3A | 2.50 | 7.00 | 5.00 |
| WAFER-GH125L-4A | 3.75 | 8.25 | 6.25 |
| WAFER-GH125L-5A | 5.00 | 9.50 | 7.50 |
| WAFER-GH125L-6A | 6.25 | 10.75 | 8.75 |
| WAFER-GH125L-7A | 7.50 | 12.00 | 10.00 |
| WAFER-GH125L-8A | 8.75 | 13.25 | 11.25 |
| WAFER-GH125L-9A | 10.00 | 14.50 | 12.50 |
| WAFER-GH125L-10A | 11.25 | 15.75 | 13.75 |
| WAFER-GH125L-11A | 12.50 | 17.00 | 15.00 |
| WAFER-GH125L-12A | 13.75 | 18.25 | 16.25 |
| WAFER-GH125L-13A | 15.00 | 19.50 | 17.50 |
| WAFER-GH125L-14A | 16.25 | 20.75 | 18.75 |
| WAFER-GH125L-15A | 17.50 | 22.00 | 20.00 |
| WAFER-GH125L-16A | 18.75 | 23.25 | 21.25 |



UNLESS OTHERWISE SPECIFIED TOLERANCES

DECIMALS: X ±0.20
X.X ±0.10
X.XX ±0.05

ANGLES: X ±5°
X.X ±3°
X.XX ±1°



东莞市汉博电子科技有限公司
DONGGUAN HANBO TECHNOLOGY CO., LTD

| | | | |
|---------|--------------------------|--------------------------|-------------|
| TITLE | WAFER GH 1.25立贴 SMT TYPE | | |
| DWN | xiong | PART NO. WAFER-GH125L-NA | |
| CHKD | lee | SCALE:1:1 | UNIT: mm |
| APVD | wang | SIZE: A4 | SHEET:10F 1 |
| REV: A4 | | | |

CUSTOMER COPY

X-ON Electronics

Largest Supplier of Electrical and Electronic Components

Click to view similar products for [Headers & Wire Housings](#) category:

Click to view products by [Hanbo Electronic](#) manufacturer:

Other Similar products are found below :

[0015917161](#) [0022155065](#) [57102-F02-18ULF](#) [58102-G61-06LF](#) [582553-1](#) [01.001.5753.1](#) [0050291907](#) [02.125.8002.8](#) [609-3404](#) [61062-3](#)
[CSU011177004](#) [622-0430](#) [622-3653LF](#) [63453-116](#) [636-1030](#) [636-1427](#) [636-3427](#) [636-4007](#) [641938-9](#) [65495-038](#) [65692-001LF](#) [65781-018](#)
[65781-047](#) [65817-010LF](#) [65817-015LF](#) [67095-007LF](#) [67601157](#) [68631-112](#) [68645-018](#) [699319-000](#) [70.362.1628.0](#) [70-4210](#) [70-4226B](#) [70-](#)
[4853B](#) [71.350.2428.0](#) [733-134](#) [733-162](#) [MHR-64-VUAL](#) [80.063.4001.1](#) [800-90-001-10-001000](#) [801-43-002-10-013000](#) [801-43-006-10-](#)
[002000](#) [803-43-024-10-001000](#) [803-93-012-10-001000](#) [8-1437020-4](#) [819-22-004-30-001101](#) [820-22-006-30-001101](#) [820-22-008-30-001101](#)
[821-22-002-10-001101](#) [821-22-003-10-002101](#)