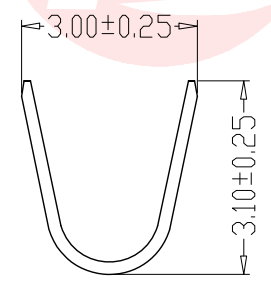
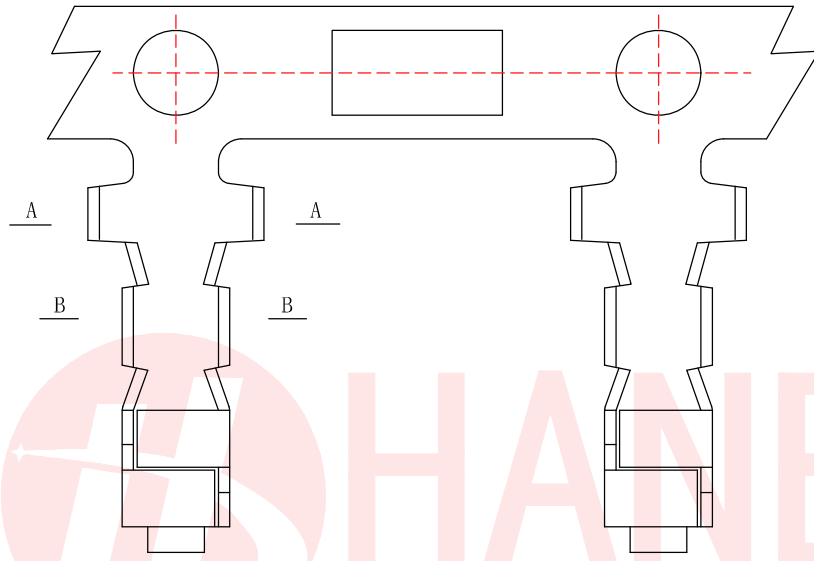
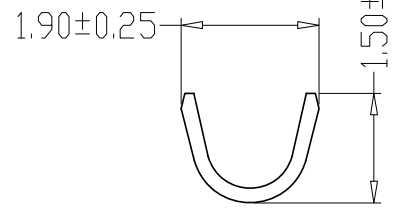




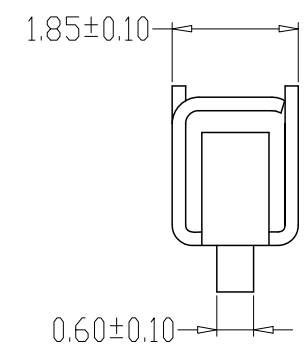
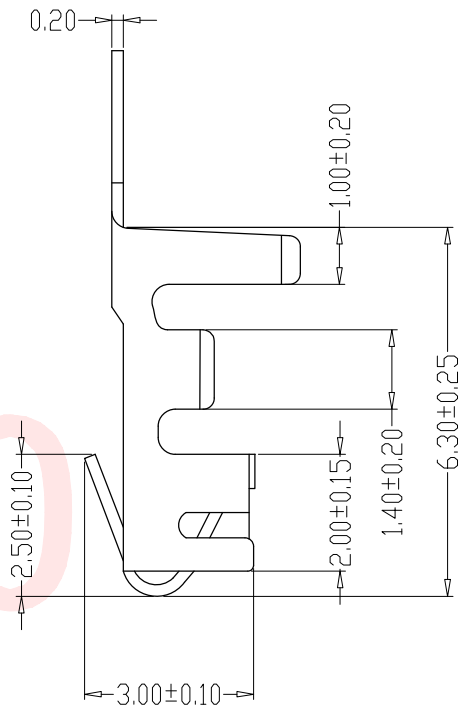
REV.	ECN NO OR DESCRIPTION	REVISED	DATE



SEC:A-A



SEC:B-B



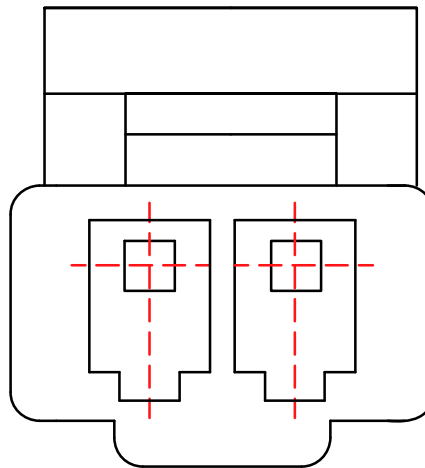
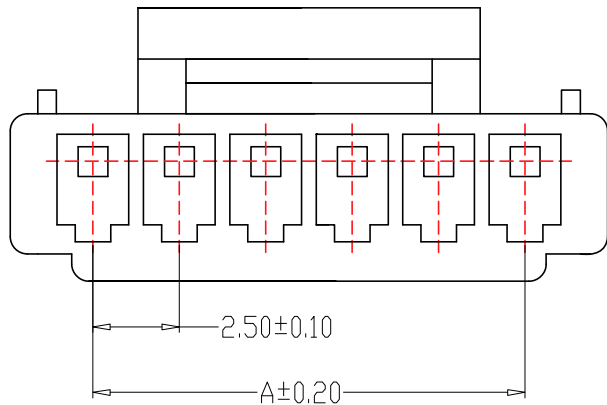
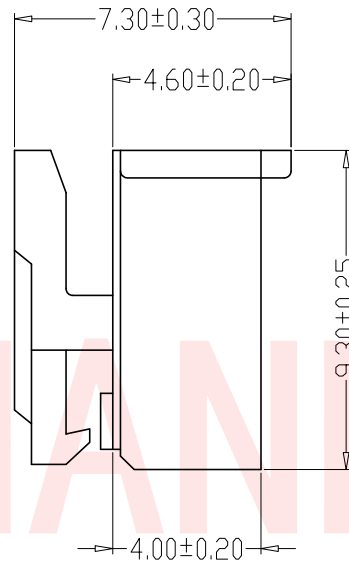
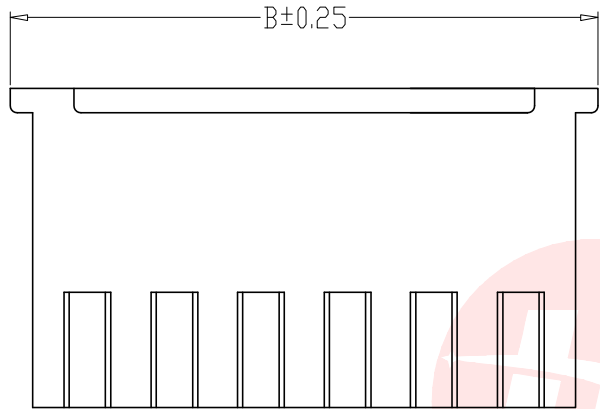
SPECIFICATIONS

- 1、Current Rating: 3A AC, DC
- 2、Voltage Rating: 250V AC, DC
- 3、Temperatuer Range: -25℃~+85℃
- 4、Contact Resistance: 20mΩ Max
- 5、Insulation Resistance: 1000MΩ Min
- 6、Withstanding Voltang: 1000V AC/minute
- 7、Material: Phosphoric bronze Tin-plated
- 8、Applicable Wire Sizes: AWG#22~28#

UNLESS OTHERWISE SPECIFIED TOLERANCES		东莞市汉博电子科技有限公司 DONGGUAN HANBO TECHNOLOGY CO., LTD			
DECIMALS:	ANGLES:	TITLE	WAFER HA 2.54端子		
X :±0.20	X :±2°	DWN	xiong	PART NO. WAFER-HA254DZ	
X.X :±0.10	X.X :±1°	CHKD	lee	SCALE: 1:1	UNIT: mm
X.XX :±0.05		APVD	wang	SIZE: A4	SHEET: 10F 1
		REV: A4			
CUSTOMER COPY					



REV.	ECN NO OR DESCRIPTION	REVISED	DATE



2P

SPECIFICATIONS

- 1、Current Rating: 3A AC, DC
- 2、Voltage Rating: 250V AC, DC
- 3、Temperatuer Range: -25°C~+85°C
- 4、Contact Resistance: 20mΩ Max
- 5、Insulation Resistance: 1000MΩ Min
- 6、Withstanding Voltang: 1000 AC/minute
- 7、Material:Nylon66, UL94V-0

CSG PART NO.	尺寸 (mm)	
	A	B
WAFER-HA254JK-2A	2.50	6.80
WAFER-HA254JK-3A	5.00	9.30
WAFER-HA254JK-4A	7.50	11.80
WAFER-HA254JK-5A	10.00	14.30
WAFER-HA254JK-6A	12.50	16.80
WAFER-HA254JK-7A	15.00	19.30
WAFER-HA254JK-8A	17.50	21.80
WAFER-HA254JK-9A	20.00	24.30
WAFER-HA254JK-10A	22.50	26.80
WAFER-HA254JK-11A	25.00	29.30
WAFER-HA254JK-12A	27.50	31.80
WAFER-HA254JK-20A	47.50	59.30

UNLESS OTHERWISE SPECIFIED TOLERANCES

DECIMALS:	ANGLES:
X :±0.20	X :±2°
X.X :±0.10	X.X :±1°
X.XX :±0.05	



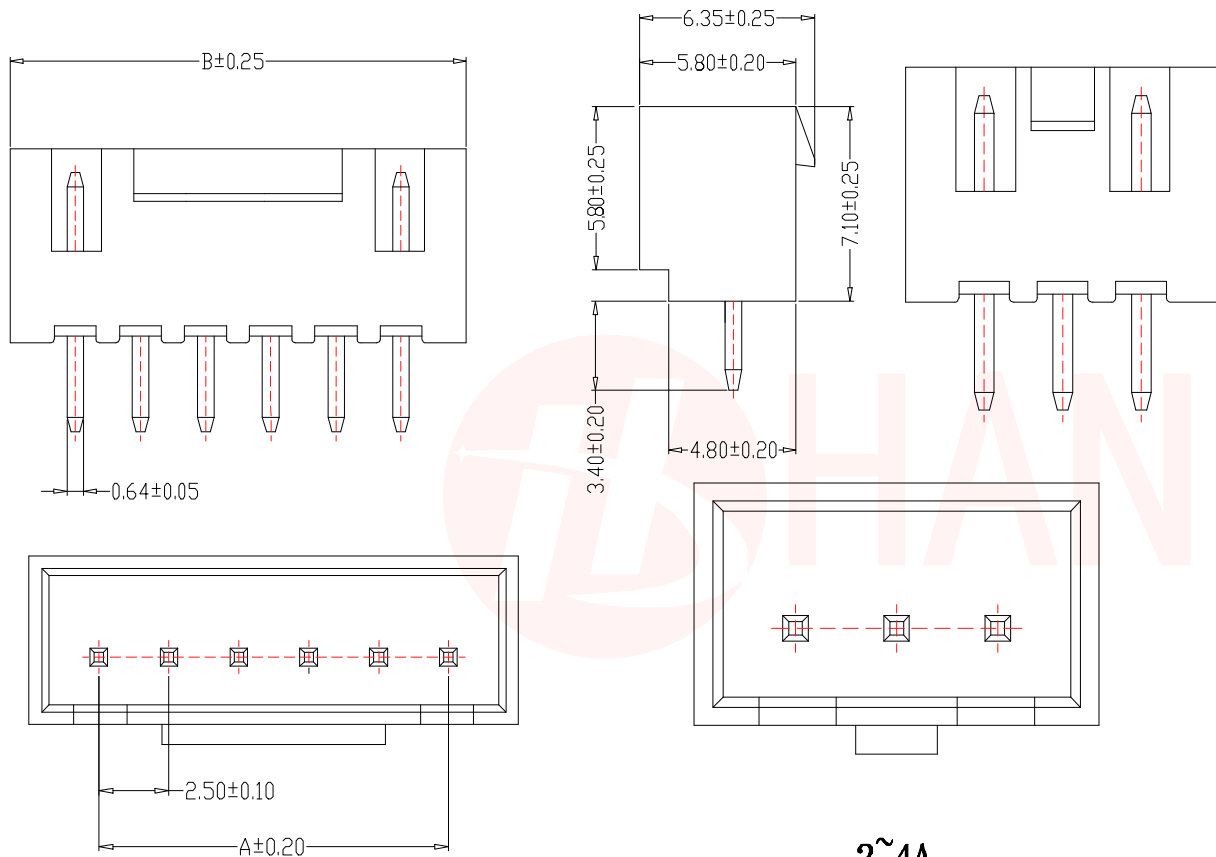
东莞市汉博电子科技有限公司
DONGGUAN HANBO TECHNOLOGY CO., LTD

TITLE	WAFER HA 2.54 胶壳		
DWN	xiong	PART NO. WAFER-HA254JK-NA	
CHKD	lee	SCALE:1:1	UNIT: mm
APVD	wang	SIZE: A4	SHEET:10F 1

CUSTOMER COPY



REV.	ECN NO OR DESCRIPTION	REVISED	DATE



2~4A

技术要求:

- 1、塑件材料: CM3004 (UL-94V-0)
- 2、接触件: 黄铜镀锡
- 3、接触电阻: $\leq 10\text{m}\Omega$
- 4、绝缘电阻: $\geq 1000\text{M}\Omega$
- 5、额定电压: 250V AC DC
- 6、额定电流: 3.0A AC DC
- 7、耐压: 能承受1000V AC/Minute
- 8、工作温度: $-25^{\circ}\text{C} \sim +85^{\circ}\text{C}$
- 9、可焊性试验: 浸锡面积 $\geq 95\%$ 温度 $220^{\pm 5}_{-0}$, 时间 2.5 ± 0.5 秒
- 10、铅和镉等六大有害物质含量要符合环保要求

TABLE:

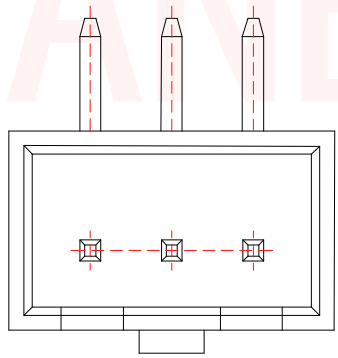
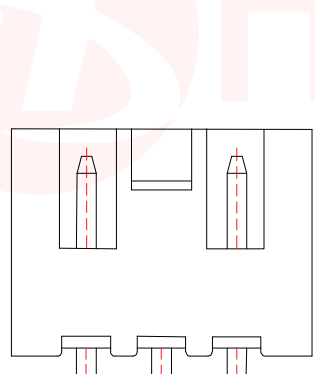
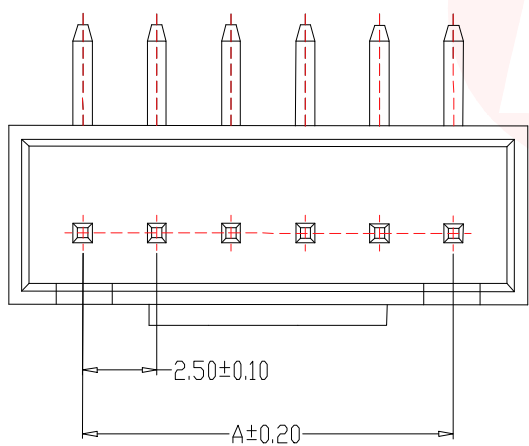
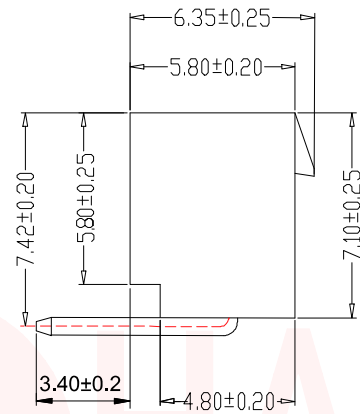
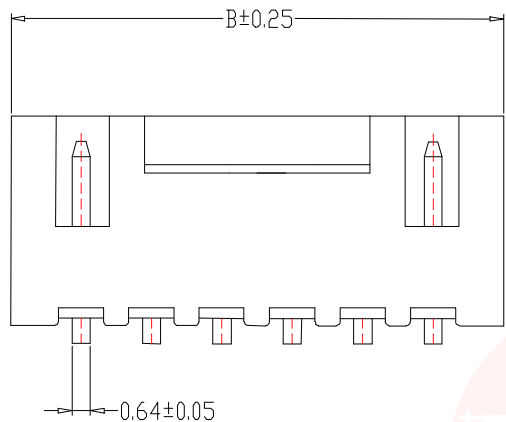
CSG PART NO.	Dimension mm		
	PIN	A	B
WAFER-HA254Z-2A	2P	2.50	7.50
WAFER-HA254Z-3A	3P	5.00	10.00
WAFER-HA254Z-4A	4P	7.50	12.50
WAFER-HA254Z-5A	5P	10.00	15.00
WAFER-HA254Z-6A	6P	12.50	17.50
WAFER-HA254Z-7A	7P	15.00	20.00
WAFER-HA254Z-8A	8P	17.50	22.50
WAFER-HA254Z-9A	9P	20.00	25.00
WAFER-HA254Z-10A	10P	22.50	27.50
WAFER-HA254Z-11A	11P	25.00	30.00
WAFER-HA254Z-12A	12P	27.50	32.50
WAFER-HA254Z-20A	20P	47.50	52.50

序号	名称	材料	电镀 (锡): 整个表面镀底镍 30U"MIN 再镀锡80U" MIN
1	端子/Contact	黄铜	
2	基座/Wafer	LCP/PA66 (UL94V-0)	白色
UNLESS OTHERWISE SPECIFIED TOLERANCES		东莞市汉博电子科技有限公司 DONGGUAN HANBO TECHNOLOGY CO., LTD	
DECIMALS: ANGLES:		TITLE: WAFER HA 2.54MM 直针 DIP TYPE	
X : ±0.20	X : ±2°	DWN	xiong PART NO. WAFER-HA254Z-NA
X.X : ±0.10	X.X : ±1°	CHKD	lee SCALE:1:1 UNIT: mm
X.XX : ±0.05		APVD	wang SIZE: A4 SHEET:10F 1 REV: A4
CUSTOMER COPY			

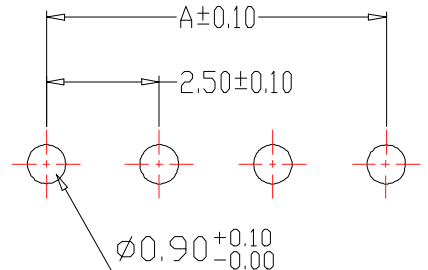
PCB LAYOUT



REV.	ECN NO OR DESCRIPTION	REVISED	DATE



2~4A



PCB LAYOUT

- 技术要求:
- 1、塑件材料: CM3004 (UL-94V-0)
 - 2、接触件: 黄铜镀锡
 - 3、接触电阻: $\leq 10m\Omega$
 - 4、绝缘电阻: $\geq 1000M\Omega$
 - 5、额定电压: 250V AC DC
 - 6、额定电流: 2.0A AC DC
 - 7、耐压: 能承受1000V AC/Minute
 - 8、工作温度: $-25^{\circ} \sim +85^{\circ}$
 - 9、可焊性试验: 浸锡面积 $\geq 95\%$ 温度 220^{+5}_{-0} , 时间 2.5 ± 0.5 秒
 - 10、铅和镉等六大有害物质含量要符合环保要求

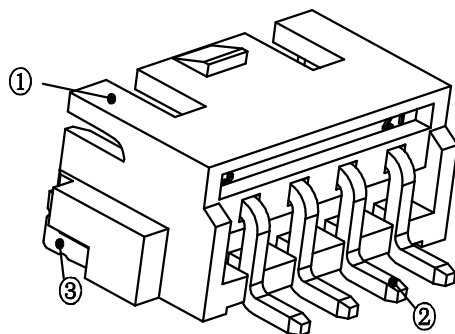
TABLE:

CSG PART NO.	Dimension mm		
	PIN	A	B
WAFER-HA254WZ-2A	2P	2.50	7.50
WAFER-HA254WZ-3A	3P	5.00	10.00
WAFER-HA254WZ-4A	4P	7.50	12.50
WAFER-HA254WZ-5A	5P	10.00	15.00
WAFER-HA254WZ-6A	6P	12.50	17.50
WAFER-HA254WZ-7A	7P	15.00	20.00
WAFER-HA254WZ-8A	8P	17.50	22.50
WAFER-HA254WZ-9A	9P	20.00	25.00
WAFER-HA254WZ-10A	10P	22.50	27.50
WAFER-HA254WZ-11A	11P	25.00	30.00
WAFER-HA254WZ-12A	12P	27.50	32.50
WAFER-HA254WZ-20A	20P	47.50	52.50

序号	名称	材料	电镀(锡): 整个表面镀底镍 30U"MIN 再镀锡80U" MIN
1	端子/Contact	黄铜	
2	基座/Wafer	LCP/PA66 (UL94V-0)	白色
UNLESS OTHERWISE SPECIFIED TOLERANCES		东莞市汉博电子科技有限公司 DONGGUAN HANBO TECHNOLOGY CO., LTD	
DECIMALS: ANGLES:		TITLE: WAFER HA 2.54MM 弯针 DIP TYPE	
X :±0.20	X :±2°	DWN	xiong PART NO. WAFER-HA254WZ-NA
X.X :±0.10	X.X :±1°	CHKD	lee SCALE:1:1 UNIT: mm
X.XX :±0.05		APVD	wang SIZE: A4 SHEET:10F 1 REV: A4
CUSTOMER COPY			

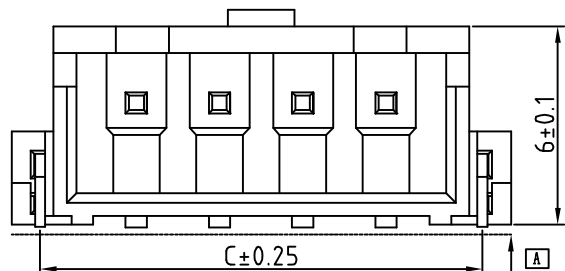


REV.	ECN NO OR DESCRIPTION	REVISED	DATE



SPECIFICATIONS

- 1、Current Rating: 3A AC, DC
- 2、Voltage Rating: 250V AC, DC
- 3、Temperatuer Range: -25°C~+85°C
- 4、Contact Resistance: 20mΩ Max
- 5、Insulation Resistance: 1000MΩ Min
- 6、Withstanding Voltang: 1000V AC/minute
- 7、Material: Wafer LCP, UL94V-0
PIN Brass Tin-plated
Solder tad Brass Tin-plated



02P~10P	0.10	MAX
11P~16P	0.12	MAX

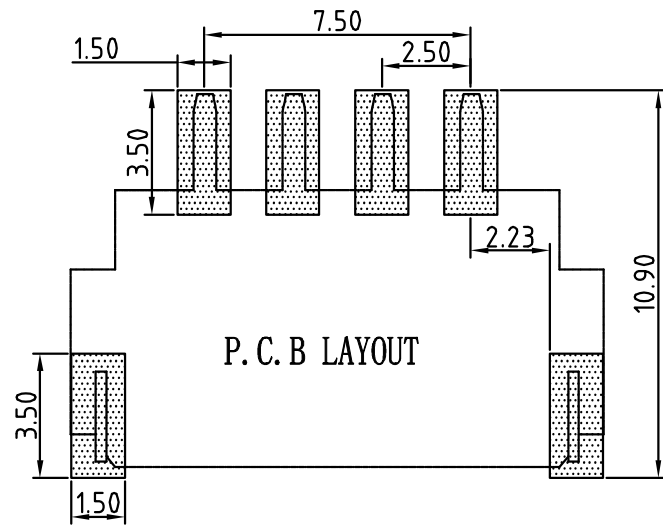
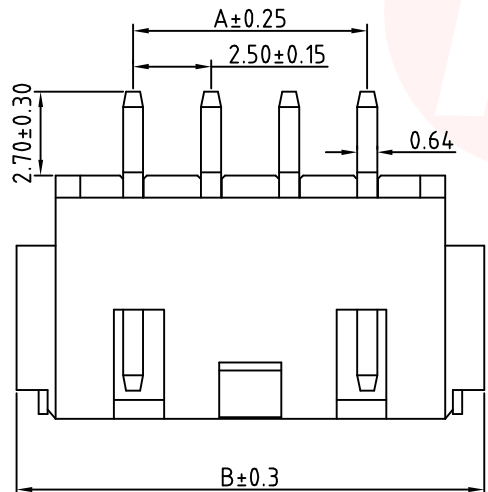
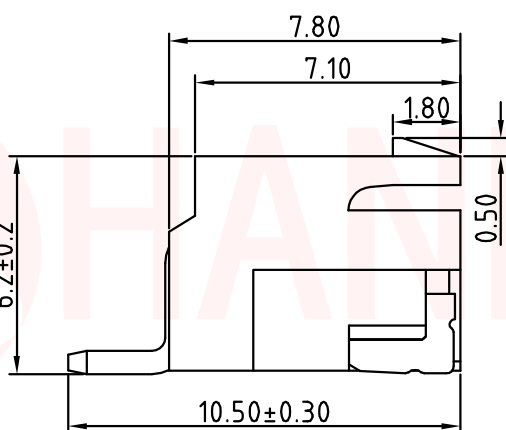


TABLE:

CSG PART NO.	Dimension mm		
	A	B	C
WAFER-HA254WT-2A	2.50	10.00	8.30
WAFER-HA254WT-3A	5.00	12.50	10.80
WAFER-HA254WT-4A	7.50	15.00	13.30
WAFER-HA254WT-5A	10.00	17.50	15.80
WAFER-HA254WT-6A	12.50	20.00	18.30
WAFER-HA254WT-7A	15.00	22.50	20.80
WAFER-HA254WT-8A	17.50	25.00	23.30
WAFER-HA254WT-9A	20.00	27.50	25.80
WAFER-HA254WT-10A	22.50	30.00	28.30
WAFER-HA254WT-11A	25.00	32.50	30.80
WAFER-HA254WT-12A	27.50	35.00	33.30
WAFER-HA254WT-13A	30.00	37.50	35.80
WAFER-HA254WT-14A	32.50	40.00	38.30
WAFER-HA254WT-15A	35.00	42.50	40.80
WAFER-HA254WT-16A	37.50	45.00	43.30

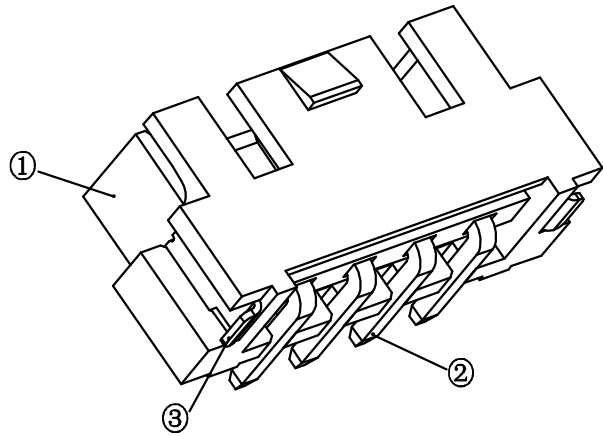
UNLESS OTHERWISE SPECIFIED TOLERANCES

东莞市汉博电子科技有限公司
DONGGUAN HANBO TECHNOLOGY CO., LTD

DECIMALS:	ANGLES:	TITLE	WAFER HA 2.54 卧贴 带卡扣 SMT TYPE		
X : ±0.20	X : ±5°	DWN	xiong	PART NO. WAFER-HA254WT-NA	
X.X : ±0.10	X.X : ±3°	CHKD	lee	SCALE: 1:1	UNIT: mm
X.XX : ±0.05	X.XX : ±1°	APVD	wang	SIZE: A4	SHEET: 10F 1
REV: A4					
CUSTOMER COPY					

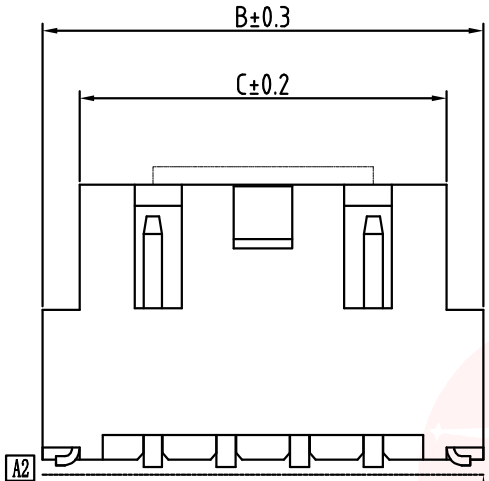


REV.	ECN NO OR DESCRIPTION	REVISED	DATE



SPECIFICATIONS

- 1、Current Rating: 3A AC, DC
- 2、Voltage Rating: 250V AC, DC
- 3、Temperatuer Range: -25°C~+85°C
- 4、Contact Resistance: 20mΩ Max
- 5、Insulation Resistance: 1000MΩ Min
- 6、Withstanding Voltang: 1000V AC/minute
- 7、Material: Wafer LCP、PA6T, UL94V-0
PIN Brass Tin-plated
Solder tad Phosphoric bronze Tin-plated



02P~10P	0.10	MAX
11P~16P	0.12	MAX

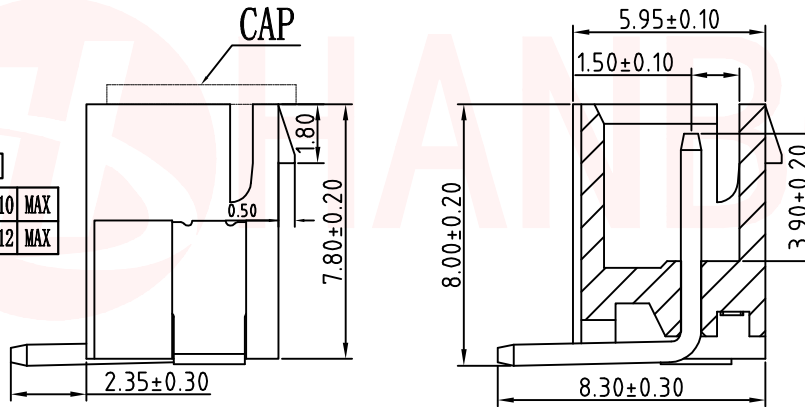
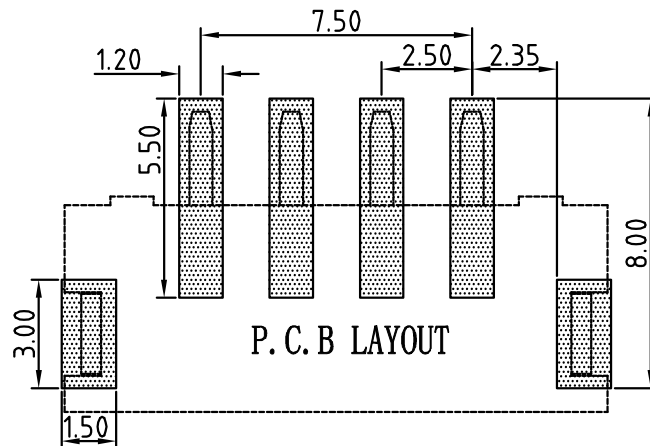
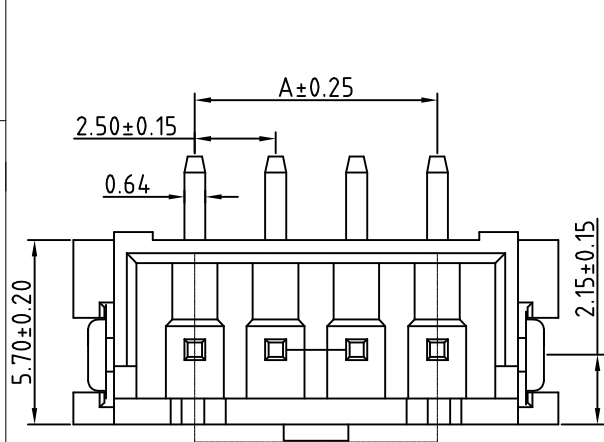


TABLE:

CSG PART NO.	Dimension mm		
	A	B	C
WAFER-HA254LT-2A	2.50	10.00	7.50
WAFER-HA254LT-3A	5.00	12.50	10.00
WAFER-HA254LT-4A	7.50	15.00	12.50
WAFER-HA254LT-5A	10.00	17.50	15.00
WAFER-HA254LT-6A	12.50	20.00	17.50
WAFER-HA254LT-7A	15.00	22.50	20.00
WAFER-HA254LT-8A	17.50	25.00	22.50
WAFER-HA254LT-9A	20.00	27.50	25.00
WAFER-HA254LT-10A	22.50	30.00	27.50
WAFER-HA254LT-11A	25.00	32.50	30.00
WAFER-HA254LT-12A	27.50	35.00	32.50
WAFER-HA254LT-13A	30.00	37.50	35.00
WAFER-HA254LT-14A	32.50	40.00	37.50
WAFER-HA254LT-15A	35.00	42.50	40.00
WAFER-HA254LT-16A	37.50	45.00	42.50



UNLESS OTHERWISE SPECIFIED TOLERANCES



东莞市汉博电子科技有限公司
DONGGUAN HANBO TECHNOLOGY CO., LTD

DECIMALS: X ±0.20
X.X ±0.10
X.XX ±0.05

ANGLES: X ±5°
X.X ±3°
X.XX ±1°

TITLE	WAFER HA 2.54立贴 带卡扣 SMT TYPE		
DWN	xiong	PART NO.	WAFER-HA254LT-NA
CHKD	lee	SCALE:1:1	UNIT: mm
APVD	wang	SIZE: A4	SHEET:10F 1
			REV: A4

CUSTOMER COPY

X-ON Electronics

Largest Supplier of Electrical and Electronic Components

Click to view similar products for [Headers & Wire Housings](#) category:

Click to view products by [Hanbo Electronic](#) manufacturer:

Other Similar products are found below :

[0015917161](#) [0022155065](#) [57102-F02-18ULF](#) [58102-G61-06LF](#) [582553-1](#) [01.001.5753.1](#) [0050291907](#) [02.125.8002.8](#) [609-3404](#) [61062-3](#)
[CSU011177004](#) [622-0430](#) [622-3653LF](#) [63453-116](#) [636-1030](#) [636-1427](#) [636-3427](#) [636-4007](#) [641938-9](#) [65495-038](#) [65692-001LF](#) [65781-018](#)
[65781-047](#) [65817-010LF](#) [65817-015LF](#) [67095-007LF](#) [67601157](#) [68631-112](#) [68645-018](#) [699319-000](#) [70.362.1628.0](#) [70-4210](#) [70-4226B](#) [70-](#)
[4853B](#) [71.350.2428.0](#) [733-134](#) [733-162](#) [760-3052](#) [MHR-64-VUAL](#) [80.063.4001.1](#) [800-90-001-10-001000](#) [801-43-002-10-013000](#)
[801-43-006-10-002000](#) [803-43-024-10-001000](#) [803-93-012-10-001000](#) [8-1437020-4](#) [819-22-004-30-001101](#) [820-22-006-30-001101](#)
[820-22-008-30-001101](#) [821-22-002-10-001101](#)