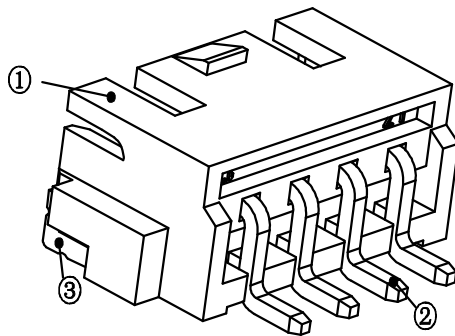


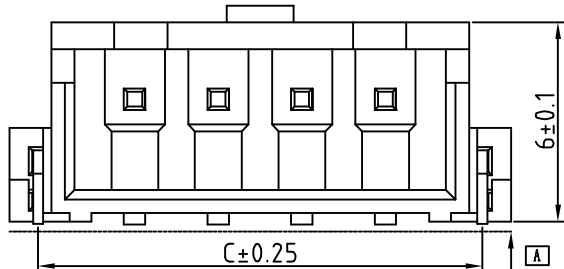


| | | | |
|------|-----------------------|---------|------|
| REV. | ECN NO OR DESCRIPTION | REVISED | DATE |
| | | | |



SPECIFICATIONS

- 1、Current Rating: 3A AC, DC
- 2、Voltage Rating: 250V AC, DC
- 3、Temperatuer Range: -25°C~+85°C
- 4、Contact Resistance: 20mΩ Max
- 5、Insulation Resistance: 1000MΩ Min
- 6、Withstanding Voltang: 1000V AC/minute
- 7、Material:Wafer LCP,UL94V-0
PIN Brass Tin-plated
Solder tad Brass Tin-plated



| | | |
|---------|------|-----|
| 02P~10P | 0.10 | MAX |
| 11P~16P | 0.12 | MAX |

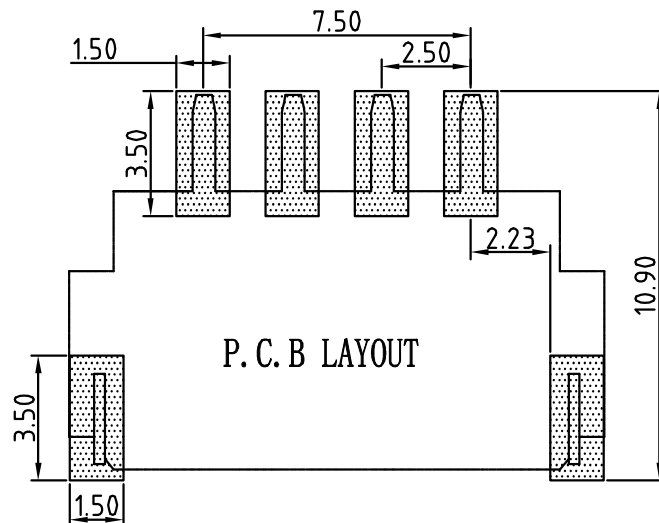
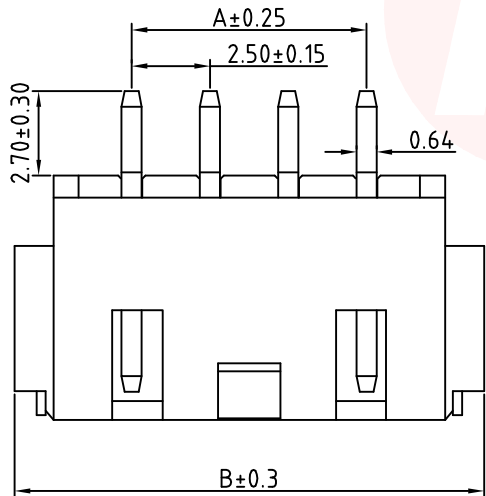
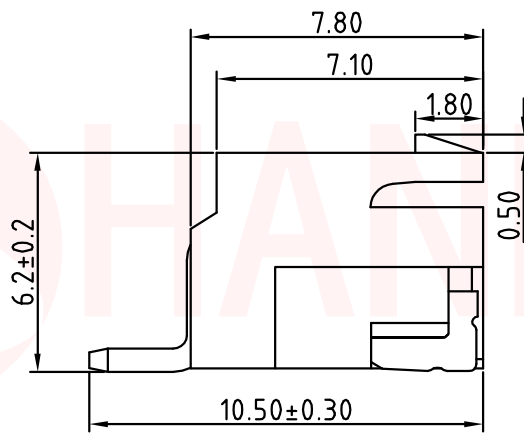


TABLE:

| CSG PART NO. | Dimension mm | | |
|-------------------|--------------|-------|-------|
| | A | B | C |
| WAFER-HA254WT-2A | 2.50 | 10.00 | 8.30 |
| WAFER-HA254WT-3A | 5.00 | 12.50 | 10.80 |
| WAFER-HA254WT-4A | 7.50 | 15.00 | 13.30 |
| WAFER-HA254WT-5A | 10.00 | 17.50 | 15.80 |
| WAFER-HA254WT-6A | 12.50 | 20.00 | 18.30 |
| WAFER-HA254WT-7A | 15.00 | 22.50 | 20.80 |
| WAFER-HA254WT-8A | 17.50 | 25.00 | 23.30 |
| WAFER-HA254WT-9A | 20.00 | 27.50 | 25.80 |
| WAFER-HA254WT-10A | 22.50 | 30.00 | 28.30 |
| WAFER-HA254WT-11A | 25.00 | 32.50 | 30.80 |
| WAFER-HA254WT-12A | 27.50 | 35.00 | 33.30 |
| WAFER-HA254WT-13A | 30.00 | 37.50 | 35.80 |
| WAFER-HA254WT-14A | 32.50 | 40.00 | 38.30 |
| WAFER-HA254WT-15A | 35.00 | 42.50 | 40.80 |
| WAFER-HA254WT-16A | 37.50 | 45.00 | 43.30 |

UNLESS OTHERWISE SPECIFIED TOLERANCES



东莞市汉博电子科技有限公司
DONGGUAN HANBO TECHNOLOGY CO., LTD

| | |
|-------------|----------|
| DECIMALS: | ANGLES: |
| X :±0.20 | X :±5° |
| X.X :±0.10 | X.X :±3° |
| X.XX :±0.05 | X.XX:±1° |

| | | | |
|-------|-------------------------------|---------------------------|-------------|
| TITLE | WAFER HA 2.54 贴片 带卡扣 SMT TYPE | | |
| DWN | xiong | PART NO. WAFER-HA254WT-NA | |
| CHKD | lee | SCALE:1:1 | UNIT: mm |
| APVD | wang | SIZE: A4 | SHEET:10F 1 |

CUSTOMER COPY

X-ON Electronics

Largest Supplier of Electrical and Electronic Components

Click to view similar products for [Headers & Wire Housings](#) category:

Click to view products by [Hanbo Electronic](#) manufacturer:

Other Similar products are found below :

[57102-F02-18ULF](#) [58102-G61-06LF](#) [582553-1](#) [009176003701906](#) [01.001.5753.1](#) [0050291907](#) [02.125.8002.8](#) [609-3404](#) [61062-3](#)
[CSU011177004](#) [622-0430](#) [622-3653LF](#) [63453-116](#) [636-1030](#) [636-1427](#) [636-3427](#) [636-4007](#) [641938-9](#) [644827-2](#) [65495-038](#) [65692-001LF](#)
[65781-018](#) [65781-047](#) [65817-010LF](#) [65817-015LF](#) [66207-023LF](#) [67095-007LF](#) [67601157](#) [68631-112](#) [68645-018](#) [699319-000](#)
[M90C108951C](#) [70.362.1628.0](#) [70-4210](#) [70-4226B](#) [70-4853B](#) [707-5028](#) [71.350.2428.0](#) [71961-016LF](#) [733-134](#) [733-162](#) [754199-000](#) [760-](#)
[3052](#) [80.063.4001.1](#) [800-90-001-10-001000](#) [800-90-010-10-002000](#) [801-43-002-10-013000](#) [801-43-006-10-002000](#) [803-41-018-10-001000](#)
[803-43-024-10-001000](#)