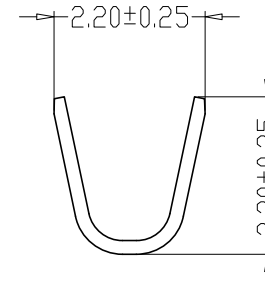
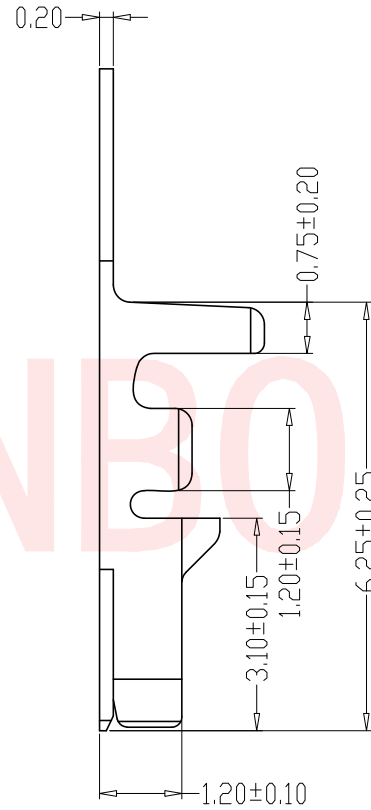
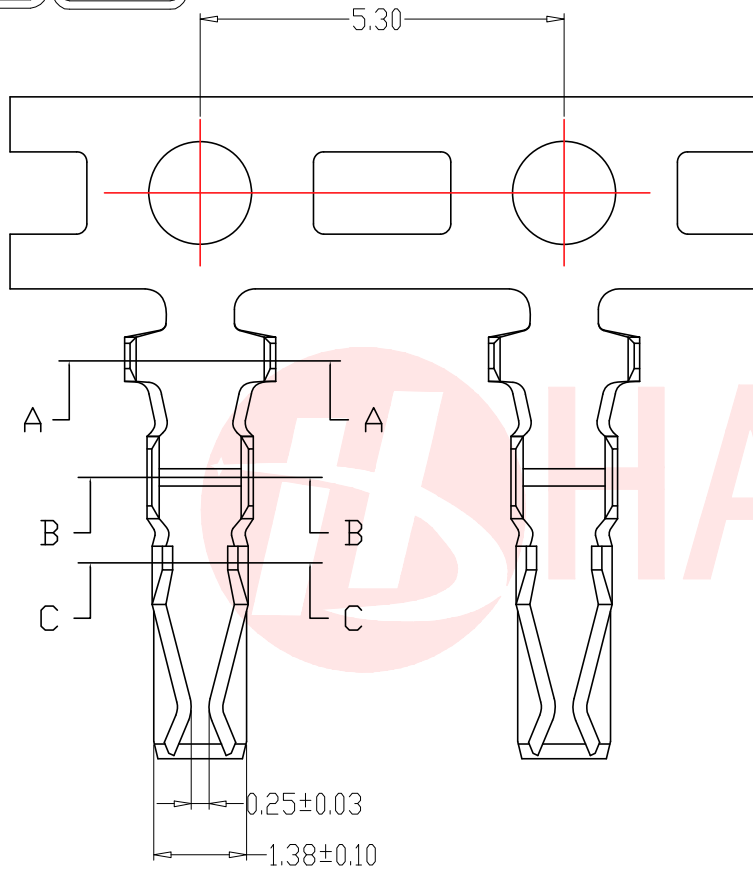
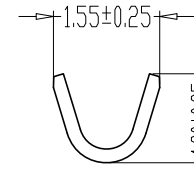




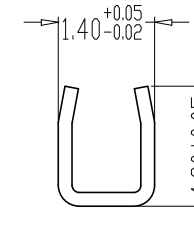
| REV. | ECN NO OR DESCRIPTION | REVISED | DATE |
|------|-----------------------|---------|------|
|      |                       |         |      |
|      |                       |         |      |



SEC:A-A



SEC:B-B



SEC:C-C

SPECIFICATIONS

- 1、Current Rating: 2A AC, DC
- 2、Voltage Rating: 250V AC, DC
- 3、Temperatuer Range: -25°C~+85°C
- 4、Contact Resistance: 20mΩ Max
- 5、Insulation Resistance: 1000MΩ Min
- 6、Withstanding Voltang: 1000V AC/minute
- 7、Material:Phosphoric bronze Tin-plated
- 8、Applicable Wire Sizes:AWG#24~30#

UNLESS OTHERWISE SPECIFIED TOLERANCES

| DECIMALS:   | ANGLES:  |
|-------------|----------|
| X :±0.20    | X :±2°   |
| X.X :±0.10  | X.X :±1° |
| X.XX :±0.05 |          |



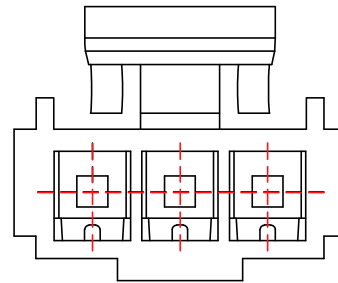
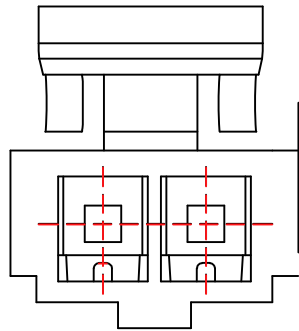
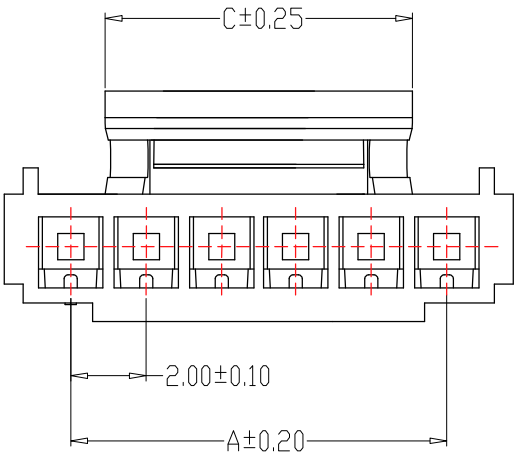
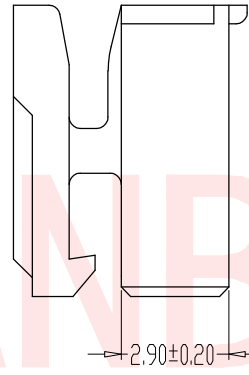
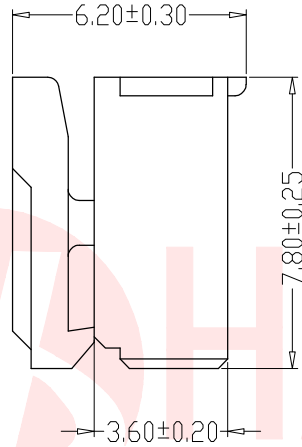
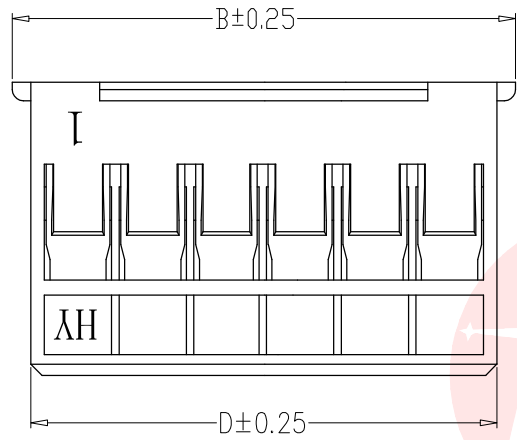
东莞市汉博电子科技有限公司  
DONGGUAN HANBO TECHNOLOGY CO., LTD

| TITLE | WAFER HY 2.00端子 |                        |             |
|-------|-----------------|------------------------|-------------|
| DWN   | xiong           | PART NO. WAFER-HY200DZ |             |
| CHKD  | lee             | SCALE:1:1              | UNIT: mm    |
| APVD  | wang            | SIZE: A4               | SHEET:10F 1 |

CUSTOMER COPY



| REV. | ECN NO OR DESCRIPTION | REVISED | DATE |
|------|-----------------------|---------|------|
|      |                       |         |      |



### SPECIFICATIONS

- 1、Current Rating: 2A AC, DC
- 2、Voltage Rating: 250V AC, DC
- 3、Temperatuer Range: -25°C~+85°C
- 4、Contact Resistance: 20mΩ Max
- 5、Insulation Resistance: 1000MΩ Min
- 6、Withstanding Voltang: 1000V AC/minute
- 7、Material:Housing:Nylon66, UL94V-0

TABLE:

| CSG PART NO.      | PIN位  | A     | B     | C     | D     |
|-------------------|-------|-------|-------|-------|-------|
| WAFER-HY200JK-2A  | 2PIN  | 2.00  | 5.50  | 3.20  | 4.55  |
| WAFER-HY200JK-3A  | 3PIN  | 4.00  | 7.50  | 3.20  | 6.55  |
| WAFER-HY200JK-4A  | 4PIN  | 6.00  | 9.50  | 4.30  | 8.55  |
| WAFER-HY200JK-5A  | 5PIN  | 8.00  | 11.50 | 4.30  | 10.55 |
| WAFER-HY200JK-6A  | 6PIN  | 10.00 | 13.50 | 8.30  | 12.55 |
| WAFER-HY200JK-7A  | 7PIN  | 12.00 | 15.50 | 10.30 | 14.55 |
| WAFER-HY200JK-8A  | 8PIN  | 14.00 | 17.50 | 12.30 | 16.55 |
| WAFER-HY200JK-9A  | 9PIN  | 16.00 | 19.50 | 12.30 | 18.55 |
| WAFER-HY200JK-10A | 10PIN | 18.00 | 21.50 | 12.30 | 20.55 |
| WAFER-HY200JK-11A | 11PIN | 20.00 | 23.50 | 16.30 | 22.55 |
| WAFER-HY200JK-12A | 12PIN | 22.00 | 25.50 | 16.30 | 24.55 |
| WAFER-HY200JK-17A | 17PIN | 32.00 | 35.50 | 16.30 | 34.55 |
| WAFER-HY200JK-18A | 18PIN | 34.00 | 37.50 | 16.30 | 36.55 |
| WAFER-HY200JK-19A | 19PIN | 36.00 | 39.50 | 16.30 | 38.55 |
| WAFER-HY200JK-20A | 20PIN | 38.00 | 41.50 | 16.30 | 40.55 |

UNLESS OTHERWISE SPECIFIED TOLERANCES

DECIMALS: ANGLES:  
 X :±0.20 X :±2°  
 X.X :±0.10 X.X :±1°  
 X.XX :±0.05



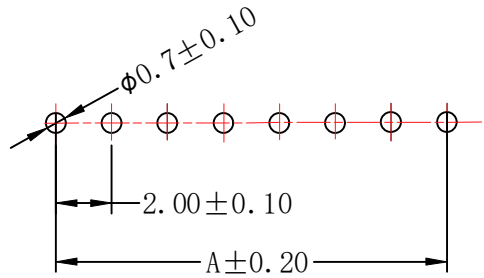
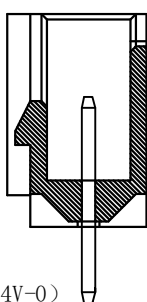
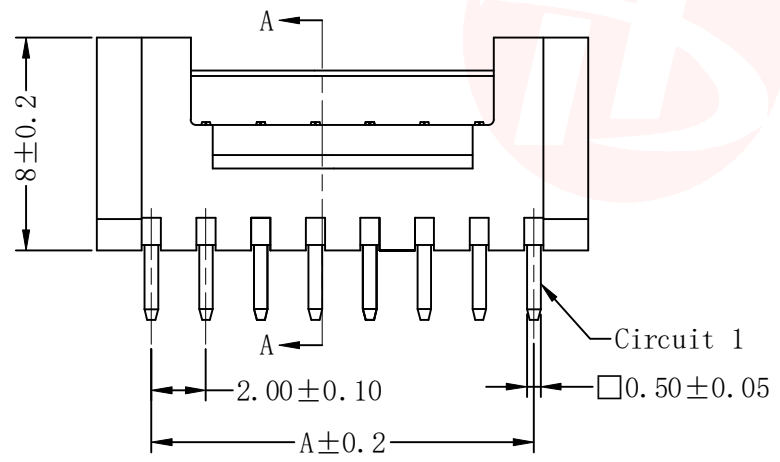
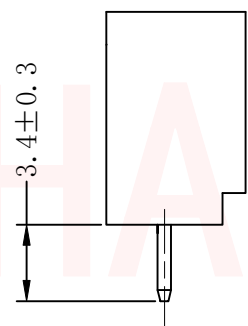
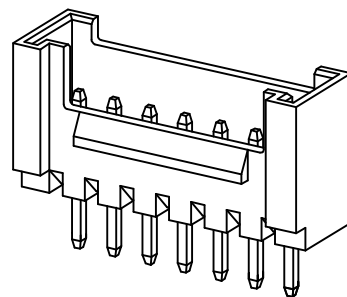
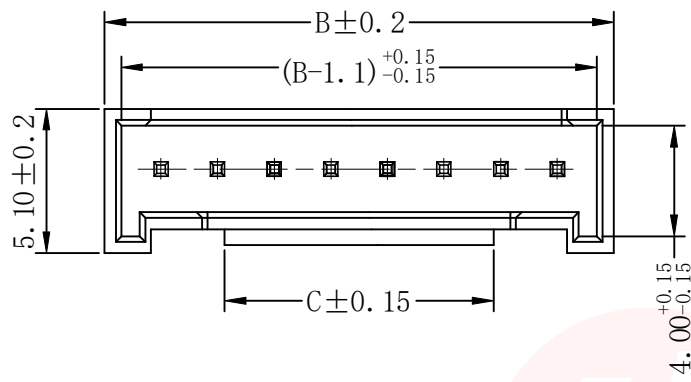
东莞市汉博电子科技有限公司  
 DONGGUAN HANBO TECHNOLOGY CO., LTD

|       |                  |                           |             |
|-------|------------------|---------------------------|-------------|
| TITLE | WAFER HY 2.00 胶壳 |                           |             |
| DWN   | xiong            | PART NO. WAFER-HY200JK-NA |             |
| CHKD  | lee              | SCALE:1:1                 | UNIT: mm    |
| APVD  | wang             | SIZE: A4                  | SHEET:10F 1 |

CUSTOMER COPY



|      |                       |         |      |
|------|-----------------------|---------|------|
| REV. | ECN NO OR DESCRIPTION | REVISED | DATE |
|      |                       |         |      |



**SUGGESTED PCB LAYOUT  
(COMPONENT SIDE)**

- 技术要求:
- 1、塑件材料: LCP/PA66 (UL-94V-0)
  - 2、接触件: 黄铜镀锡
  - 3、接触电阻: ≤10mΩ
  - 4、绝缘电阻: ≥1000MΩ
  - 5、额定电压: 250V AC DC
  - 6、额定电流: 2.0A AC DC
  - 7、耐压: 能承受1000V AC/Minute
  - 8、工作温度: -25° ~ +85°
  - 9、可焊性试验: 浸锡面积≥95%温度220<sup>+5</sup><sub>0</sub>, 时间 2.5±0.5秒
  - 10、铅和镉等六大有害物质含量要符合环保要求

TABLE:

| CSG PART NO.     | Dimension mm |       |       |       |
|------------------|--------------|-------|-------|-------|
|                  | PIN          | A     | B     | C     |
| WAFER-HY200Z-2A  | 2P           | 2.00  | 6.00  | 2.50  |
| WAFER-HY200Z-3A  | 3P           | 4.00  | 8.00  | 2.50  |
| WAFER-HY200Z-4A  | 4P           | 6.00  | 10.00 | 3.50  |
| WAFER-HY200Z-5A  | 5P           | 8.00  | 12.00 | 5.50  |
| WAFER-HY200Z-6A  | 6P           | 10.00 | 14.00 | 7.50  |
| WAFER-HY200Z-7A  | 7P           | 12.00 | 16.00 | 9.50  |
| WAFER-HY200Z-8A  | 8P           | 14.00 | 18.00 | 11.50 |
| WAFER-HY200Z-9A  | 9P           | 16.00 | 20.00 | 13.50 |
| WAFER-HY200Z-10A | 10P          | 18.00 | 22.00 | 15.50 |
| WAFER-HY200Z-11A | 11P          | 20.00 | 24.00 | 15.50 |
| WAFER-HY200Z-12A | 12P          | 22.00 | 26.00 | 15.50 |
| WAFER-HY200Z-13A | 13P          | 24.00 | 28.00 | 15.50 |
| WAFER-HY200Z-14A | 14P          | 26.00 | 30.00 | 15.50 |
| WAFER-HY200Z-15A | 15P          | 28.00 | 32.00 | 15.50 |

|    |            |                    |                                    |
|----|------------|--------------------|------------------------------------|
| 序号 | 名称         | 材料                 | 电镀(锡): 整个表面镀底锡 30U"MIN 再镀锡80U" MIN |
| 1  | 端子/Contact | 黄铜                 |                                    |
| 2  | 基座/Wafer   | LCP/PA66 (UL94V-0) | 白色                                 |

UNLESS OTHERWISE SPECIFIED TOLERANCES

DECIMALS: X :±0.20 X.X :±0.10 X.XX :±0.05

ANGLES: X :±2° X.X :±1°

TITLE: WAFER HY 2.0MM 直针 DIP TYPE

DWN: xiong PART NO. WAFER-HY200Z-NA

CHKD: lee SCALE:1:1 UNIT: mm

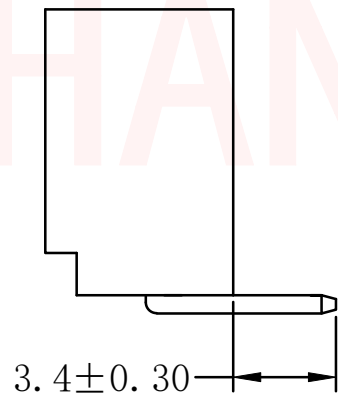
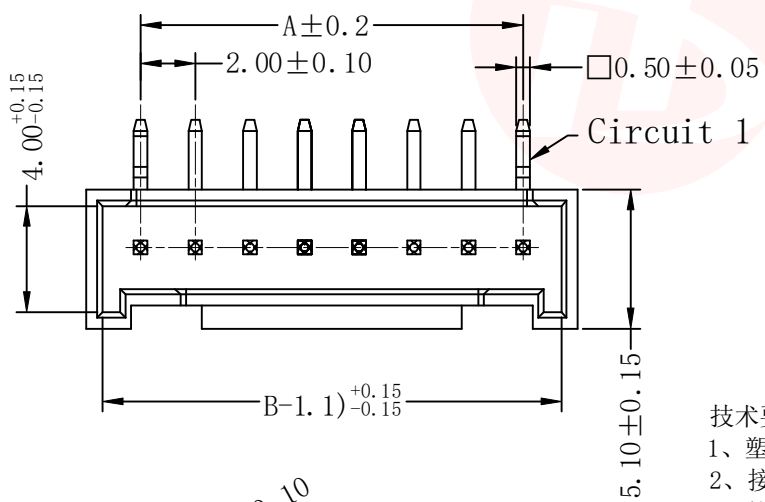
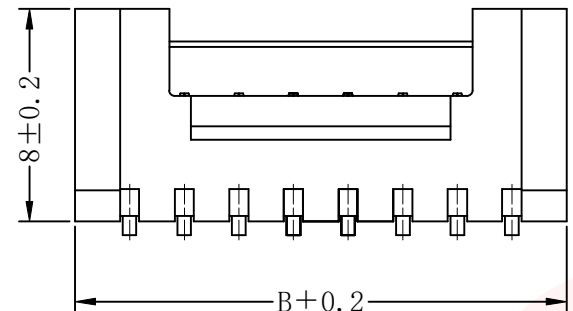
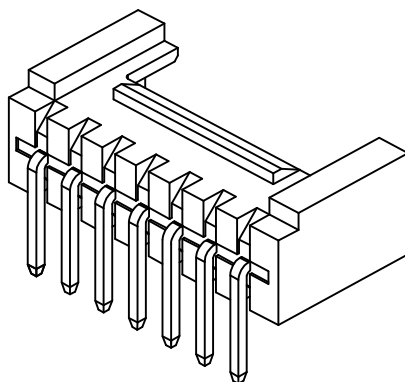
APVD: wang SIZE: A4 SHEET:10F 1 REV: A4

CUSTOMER COPY

东莞市汉博电子科技有限公司  
DONGGUAN HANBO TECHNOLOGY CO., LTD



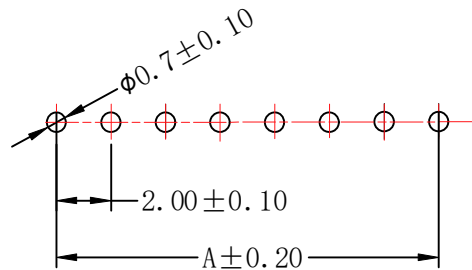
| REV. | ECN NO OR DESCRIPTION | REVISED | DATE |
|------|-----------------------|---------|------|
|      |                       |         |      |



- 技术要求:
- 1、塑件材料: LCP/PA66 (UL-94V-0)
  - 2、接触件: 黄铜镀锡
  - 3、接触电阻:  $\leq 10m\Omega$
  - 4、绝缘电阻:  $\geq 1000M\Omega$
  - 5、额定电压: 250V AC DC
  - 6、额定电流: 2.0A AC DC
  - 7、耐压: 能承受1000V AC/Minute
  - 8、工作温度:  $-25^{\circ} \sim +85^{\circ}$
  - 9、可焊性试验: 浸锡面积 $\geq 95\%$ 温度 $220^{+5}_{0}$ , 时间 $2.5 \pm 0.5$ 秒
  - 10、铅和镉等六大有害物质含量要符合环保要求

TABLE:

| CSG PART NO.      | Dimension mm |       |       |       |
|-------------------|--------------|-------|-------|-------|
|                   | PIN          | A     | B     | C     |
| WAFER-HY200WZ-2A  | 2P           | 2.00  | 6.00  | 2.50  |
| WAFER-HY200WZ-3A  | 3P           | 4.00  | 8.00  | 2.50  |
| WAFER-HY200WZ-4A  | 4P           | 6.00  | 10.00 | 3.50  |
| WAFER-HY200WZ-5A  | 5P           | 8.00  | 12.00 | 5.50  |
| WAFER-HY200WZ-6A  | 6P           | 10.00 | 14.00 | 7.50  |
| WAFER-HY200WZ-7A  | 7P           | 12.00 | 16.00 | 9.50  |
| WAFER-HY200WZ-8A  | 8P           | 14.00 | 18.00 | 11.50 |
| WAFER-HY200WZ-9A  | 9P           | 16.00 | 20.00 | 13.50 |
| WAFER-HY200WZ-10A | 10P          | 18.00 | 22.00 | 15.50 |
| WAFER-HY200WZ-11A | 11P          | 20.00 | 24.00 | 15.50 |
| WAFER-HY200WZ-12A | 12P          | 22.00 | 26.00 | 15.50 |
| WAFER-HY200WZ-13A | 13P          | 24.00 | 28.00 | 15.50 |
| WAFER-HY200WZ-14A | 14P          | 26.00 | 30.00 | 15.50 |
| WAFER-HY200WZ-15A | 15P          | 28.00 | 32.00 | 15.50 |



SUGGESTED PCB LAYOUT  
(COMPONENT SIDE)

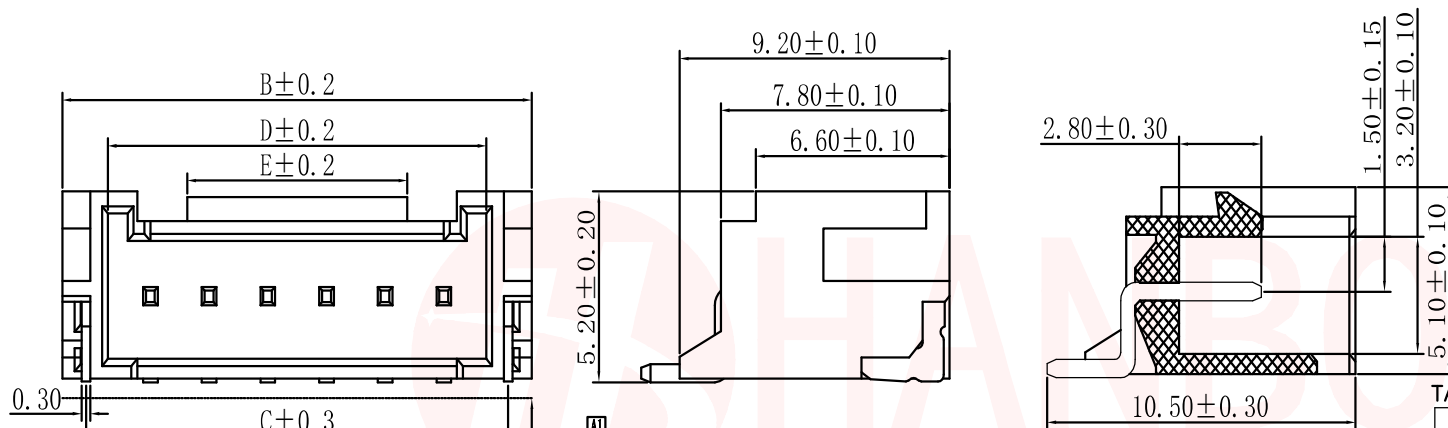
| 序号                                    | 名称         | 材料   | 电镀(锡): 整个表面镀底镍<br>30U"MIN 再镀锡80U" MIN |
|---------------------------------------|------------|--|---------------------------------------|
| 1                                     | 端子/Contact | 黄铜   |                                       |
| 2                                     | 基座/Wafer   | LCP/PA66 (UL94V-0)   | 白色                                    |
| UNLESS OTHERWISE SPECIFIED TOLERANCES |            | <b>东莞市汉博电子科技有限公司</b><br>DONGGUAN HANBO TECHNOLOGY CO., LTD |                                       |
| DECIMALS: ANGLES:                     |            | TITLE: WAFER HY 2.0MM 弯针 DIP TYPE                          |                                       |
| X : ±0.20                             | X : ±2°    | DWN  | xiong PART NO. WAFER-HY200WZ-NA       |
| X.X : ±0.10                           | X.X : ±1°  | CHKD   | lee SCALE:1:1 UNIT: mm                |
| X.XX : ±0.05                          |            | APVD   | wang SIZE: A4 SHEET:10F 1 REV: A4     |
| CUSTOMER COPY                         |            |  |                                       |



| REV. | ECN NO OR DESCRIPTION | REVISED | DATE |
|------|-----------------------|---------|------|
|      |                       |         |      |

**SPECIFICATIONS**

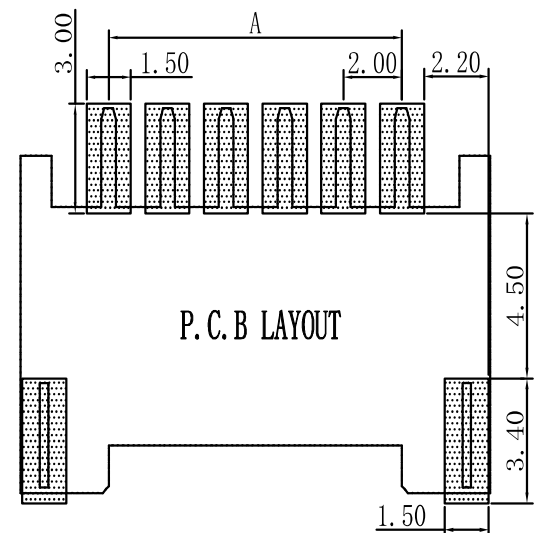
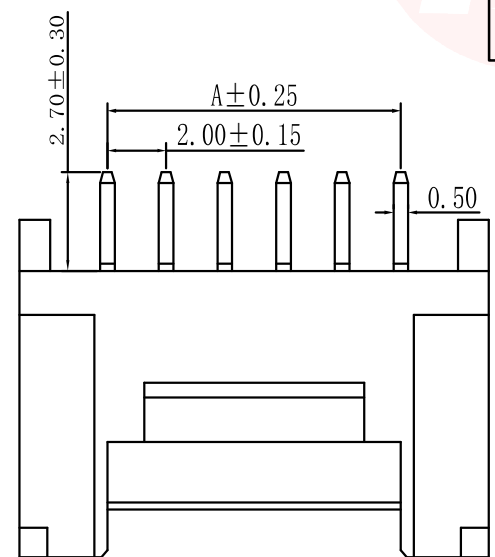
1. Current Rating: 2A AC, DC
2. Voltage Rating: 250V AC, DC
3. Temperature Range: -25°C ~ +85°C
4. Contact Resistance: 20mΩ Max
5. Insulation Resistance: 1000MΩ Min
6. Withstanding Voltage: 1000V AC/minute
7. Material: Wafer LCP, UL94V-0  
PIN Brass Tin-plated  
Solder pad Brass Tin-plated



| AL      |      |     |  |
|---------|------|-----|--|
| 02P-10P | 0.10 | MAX |  |
| 11P-16P | 0.12 | MAX |  |

TABLE:

| CSG PART NO.     | Dimension mm |       |       |       |       |
|------------------|--------------|-------|-------|-------|-------|
|                  | A            | B     | C     | D     | E     |
| WAFER-HY200W-2A  | 2.00         | 8.00  | 6.50  | 4.90  | 2.50  |
| WAFER-HY200W-3A  | 4.00         | 10.00 | 8.50  | 6.90  | 3.00  |
| WAFER-HY200W-4A  | 6.00         | 12.00 | 10.50 | 8.90  | 5.00  |
| WAFER-HY200W-5A  | 8.00         | 14.00 | 12.50 | 10.90 | 7.00  |
| WAFER-HY200W-6A  | 10.00        | 16.00 | 14.50 | 12.90 | 9.00  |
| WAFER-HY200W-7A  | 12.00        | 18.00 | 16.50 | 14.90 | 11.00 |
| WAFER-HY200W-8A  | 14.00        | 20.00 | 18.50 | 16.90 | 13.00 |
| WAFER-HY200W-9A  | 16.00        | 22.00 | 20.50 | 18.90 | 15.00 |
| WAFER-HY200W-10A | 18.00        | 24.00 | 22.50 | 20.90 | 17.00 |
| WAFER-HY200W-11A | 20.00        | 26.00 | 24.50 | 22.90 | 19.00 |
| WAFER-HY200W-12A | 22.00        | 28.00 | 26.50 | 24.90 | 21.00 |
| WAFER-HY200W-13A | 24.00        | 30.00 | 28.50 | 26.90 | 23.00 |
| WAFER-HY200W-14A | 26.00        | 32.00 | 30.50 | 28.90 | 25.00 |
| WAFER-HY200W-15A | 28.00        | 34.00 | 32.50 | 30.90 | 27.00 |
| WAFER-HY200W-16A | 30.00        | 36.00 | 34.50 | 32.90 | 29.00 |



UNLESS OTHERWISE SPECIFIED TOLERANCES

东莞市汉博电子科技有限公司  
DONGGUAN HANBO TECHNOLOGY CO., LTD

DECIMALS: X :±0.25  
X.X :±0.20  
X.XX :±0.15

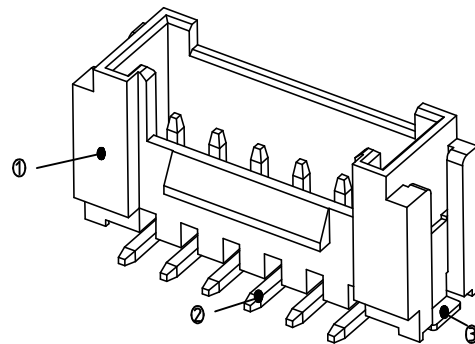
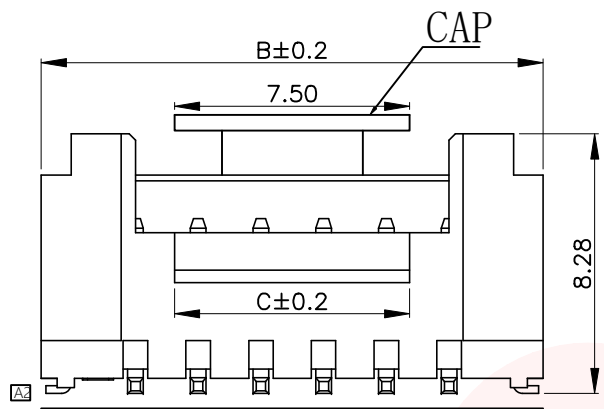
ANGLES: X :±2°  
X.X :±1°

|       |                             |                          |              |         |
|-------|-----------------------------|--------------------------|--------------|---------|
| TITLE | WAFER HY 2.0 贴片带卡扣 SMT TYPE |                          |              |         |
| DWN   | xiong                       | PART NO. WAFER-HY200W-NA |              |         |
| CHKD  | lee                         | SCALE:1:1                | UNIT: mm     |         |
| APVD  | wang                        | SIZE: A4                 | SHEET: 10F 1 | REV: A4 |

CUSTOMER COPY



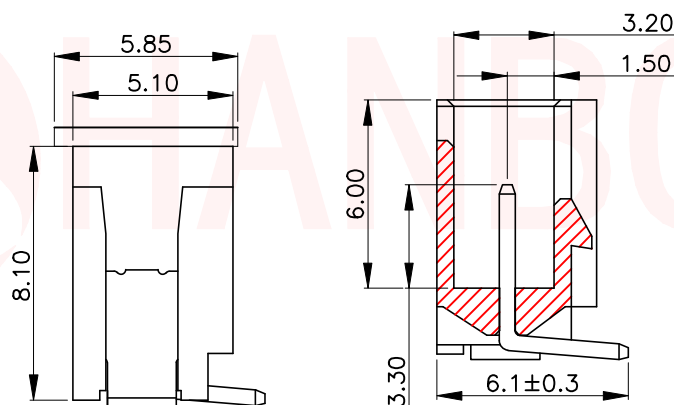
|      |                       |         |      |
|------|-----------------------|---------|------|
| REV. | ECN NO OR DESCRIPTION | REVISED | DATE |
|      |                       |         |      |



**SPECIFICATIONS**

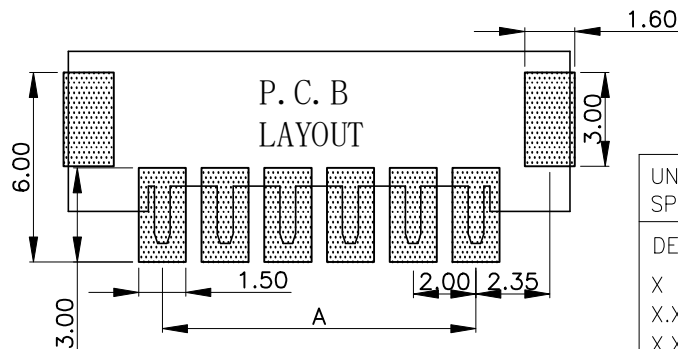
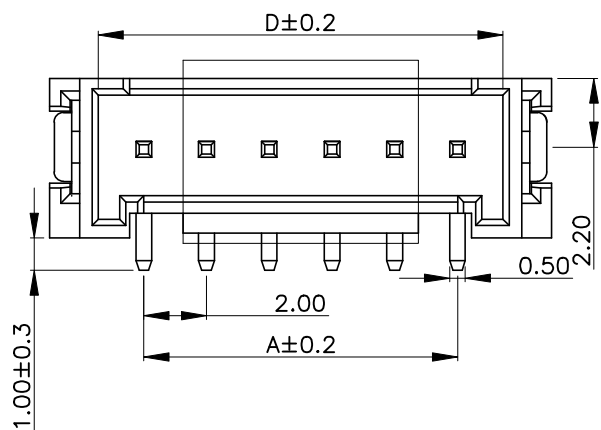
- 1、Current Rating: 2A AC, DC
- 2、Voltage Rating: 250V AC, DC
- 3、Temperatuer Range: -25℃~+85℃
- 4、Contact Resistance: 20mΩ Max
- 5、Insulation Resistance: 1000MΩ Min
- 6、Withstanding Voltang: 1000V AC/minute
- 7、Material: Wafer LCP, UL94V-0  
PIN Brass Tin-plated  
Solder Brass Tin-plated

|  |         |      |     |
|--|---------|------|-----|
|  | 02P-10P | 0.10 | MAX |
|  | 11P-16P | 0.12 | MAX |



**TABLE:**

| CSG PART NO.     | Dimension mm |       |       |       |
|------------------|--------------|-------|-------|-------|
|                  | A            | B     | C     | D     |
| WAFER-HY200L-2A  | 2.00         | 8.00  | 2.50  | 4.90  |
| WAFER-HY200L-3A  | 4.00         | 10.00 | 2.50  | 6.90  |
| WAFER-HY200L-4A  | 6.00         | 12.00 | 5.00  | 8.90  |
| WAFER-HY200L-5A  | 8.00         | 14.00 | 7.00  | 10.90 |
| WAFER-HY200L-6A  | 10.00        | 16.00 | 9.00  | 12.90 |
| WAFER-HY200L-7A  | 12.00        | 18.00 | 11.00 | 14.90 |
| WAFER-HY200L-8A  | 14.00        | 20.00 | 13.00 | 16.90 |
| WAFER-HY200L-9A  | 16.00        | 22.00 | 15.00 | 18.90 |
| WAFER-HY200L-10A | 18.00        | 24.00 | 17.00 | 20.90 |
| WAFER-HY200L-11A | 20.00        | 26.00 | 19.00 | 22.90 |
| WAFER-HY200L-12A | 22.00        | 28.00 | 21.00 | 24.90 |
| WAFER-HY200L-13A | 24.00        | 30.00 | 23.00 | 26.90 |
| WAFER-HY200L-14A | 26.00        | 32.00 | 25.00 | 28.90 |
| WAFER-HY200L-15A | 28.00        | 34.00 | 27.00 | 30.90 |
| WAFER-HY200L-16A | 30.00        | 36.00 | 29.00 | 32.90 |



UNLESS OTHERWISE SPECIFIED TOLERANCES

DECIMALS: X ±0.25  
X.X ±0.20  
X.XX ±0.15

ANGLES: X ±2°  
X.X ±1°



东莞市汉博电子科技有限公司  
DONGGUAN HANBO TECHNOLOGY CO., LTD

|       |                          |                          |             |
|-------|--------------------------|--------------------------|-------------|
| TITLE | WAFER HY 2.0 贴片 SMT TYPE |                          |             |
| DWN   | xiong                    | PART NO. WAFER-HY200L-NA |             |
| CHKD  | lee                      | SCALE:1:1                | UNIT: mm    |
| APVD  | wang                     | SIZE: A4                 | SHEET:10F 1 |

CUSTOMER COPY

## X-ON Electronics

Largest Supplier of Electrical and Electronic Components

*Click to view similar products for [Headers & Wire Housings](#) category:*

*Click to view products by [Hanbo Electronic](#) manufacturer:*

Other Similar products are found below :

[0015917161](#) [0022155065](#) [57102-F02-18ULF](#) [58102-G61-06LF](#) [582553-1](#) [01.001.5753.1](#) [0050291907](#) [02.125.8002.8](#) [609-3404](#) [61062-3](#)  
[CSU011177004](#) [622-0430](#) [622-3653LF](#) [63453-116](#) [636-1030](#) [636-1427](#) [636-3427](#) [636-4007](#) [641938-9](#) [65495-038](#) [65692-001LF](#) [65781-018](#)  
[65781-047](#) [65817-010LF](#) [65817-015LF](#) [67095-007LF](#) [67601157](#) [68631-112](#) [68645-018](#) [699319-000](#) [70.362.1628.0](#) [70-4210](#) [70-4226B](#) [70-](#)  
[4853B](#) [71.350.2428.0](#) [733-134](#) [733-162](#) [MHR-64-VUAL](#) [80.063.4001.1](#) [800-90-001-10-001000](#) [801-43-002-10-013000](#) [801-43-006-10-](#)  
[002000](#) [803-43-024-10-001000](#) [803-93-012-10-001000](#) [8-1437020-4](#) [819-22-004-30-001101](#) [820-22-006-30-001101](#) [820-22-008-30-001101](#)  
[821-22-002-10-001101](#) [821-22-003-10-002101](#)