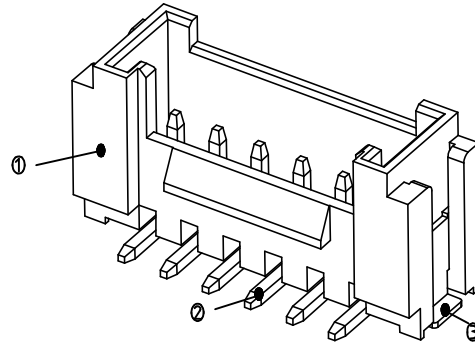
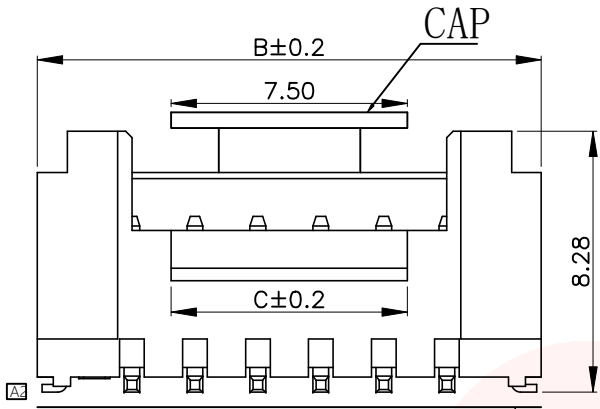




| | | | |
|------|-----------------------|---------|------|
| REV. | ECN NO OR DESCRIPTION | REVISED | DATE |
| | | | |



SPECIFICATIONS

- 1、Current Rating: 2A AC, DC
 - 2、Voltage Rating: 250V AC, DC
 - 3、Temperatuer Range: -25°C~+85°C
 - 4、Contact Resistance: 20mΩ Max
 - 5、Insulation Resistance: 1000MΩ Min
 - 6、Withstanding Voltang: 1000V AC/minute
 - 7、Material: Wafer LCP, UL94V-0
- PIN Brass Tin-plated
Solder Brass Tin-plated

| | | | |
|--|---------|------|-----|
| | 02P-10P | 0.10 | MAX |
| | 11P-16P | 0.12 | MAX |

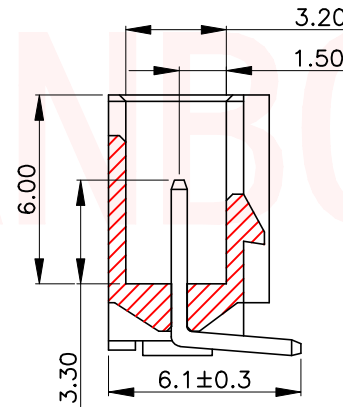
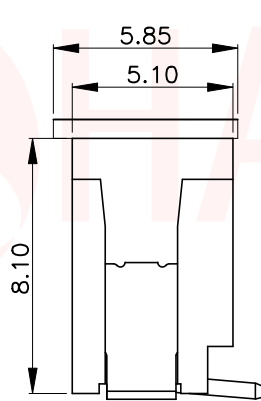
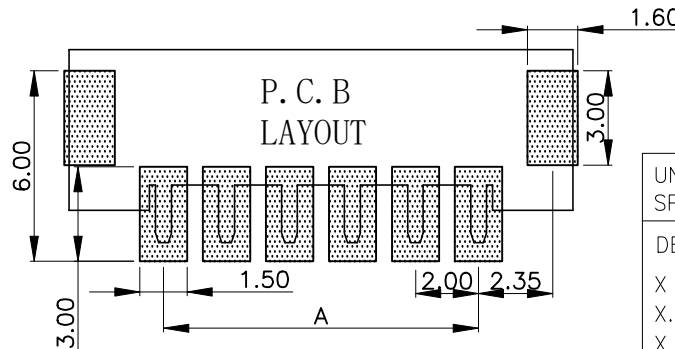
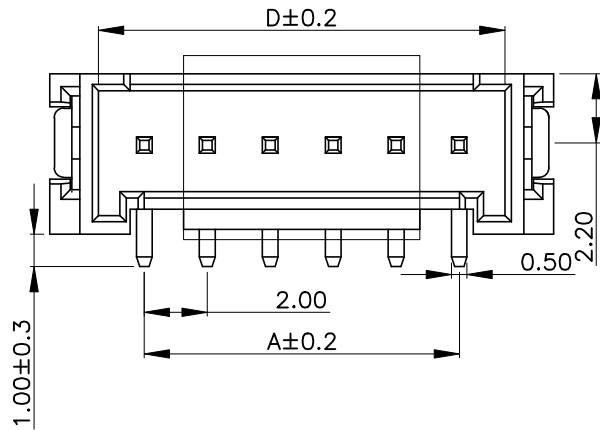


TABLE:

| CSG PART NO. | Dimension mm | | | |
|------------------|--------------|-------|-------|-------|
| | A | B | C | D |
| WAFER-HY200L-2A | 2.00 | 8.00 | 2.50 | 4.90 |
| WAFER-HY200L-3A | 4.00 | 10.00 | 2.50 | 6.90 |
| WAFER-HY200L-4A | 6.00 | 12.00 | 5.00 | 8.90 |
| WAFER-HY200L-5A | 8.00 | 14.00 | 7.00 | 10.90 |
| WAFER-HY200L-6A | 10.00 | 16.00 | 9.00 | 12.90 |
| WAFER-HY200L-7A | 12.00 | 18.00 | 11.00 | 14.90 |
| WAFER-HY200L-8A | 14.00 | 20.00 | 13.00 | 16.90 |
| WAFER-HY200L-9A | 16.00 | 22.00 | 15.00 | 18.90 |
| WAFER-HY200L-10A | 18.00 | 24.00 | 17.00 | 20.90 |
| WAFER-HY200L-11A | 20.00 | 26.00 | 19.00 | 22.90 |
| WAFER-HY200L-12A | 22.00 | 28.00 | 21.00 | 24.90 |
| WAFER-HY200L-13A | 24.00 | 30.00 | 23.00 | 26.90 |
| WAFER-HY200L-14A | 26.00 | 32.00 | 25.00 | 28.90 |
| WAFER-HY200L-15A | 28.00 | 34.00 | 27.00 | 30.90 |
| WAFER-HY200L-16A | 30.00 | 36.00 | 29.00 | 32.90 |



UNLESS OTHERWISE SPECIFIED TOLERANCES

| | |
|-------------|----------|
| DECIMALS: | ANGLES: |
| X :±0.25 | X :±2° |
| X.X :±0.20 | X.X :±1° |
| X.XX :±0.15 | |



东莞市汉博电子科技有限公司
DONGGUAN HANBO TECHNOLOGY CO., LTD

| | | | | |
|---------------|-------------------------|--------------------------|-------------|---------|
| TITLE | WAFER HY 2.0立贴 SMT TYPE | | | |
| DWN | xiong | PART NO. WAFER-HY200L-NA | | |
| CHKD | lee | SCALE:1:1 | UNIT: mm | |
| APVD | wang | SIZE: A4 | SHEET:10F 1 | REV: A4 |
| CUSTOMER COPY | | | | |

X-ON Electronics

Largest Supplier of Electrical and Electronic Components

Click to view similar products for [Headers & Wire Housings](#) category:

Click to view products by [Hanbo Electronic](#) manufacturer:

Other Similar products are found below :

[57102-F02-18ULF](#) [58102-G61-06LF](#) [582553-1](#) [009176003701906](#) [01.001.5753.1](#) [0050291907](#) [02.125.8002.8](#) [609-3404](#) [61062-3](#)
[CSU011177004](#) [622-0430](#) [622-3653LF](#) [63453-116](#) [636-1030](#) [636-1427](#) [636-3427](#) [636-4007](#) [641938-9](#) [644827-2](#) [65495-038](#) [65692-001LF](#)
[65781-018](#) [65781-047](#) [65817-010LF](#) [65817-015LF](#) [66207-023LF](#) [67095-007LF](#) [67601157](#) [68631-112](#) [68645-018](#) [699319-000](#)
[M90C108951C](#) [70.362.1628.0](#) [70-4210](#) [70-4226B](#) [70-4853B](#) [707-5028](#) [71.350.2428.0](#) [71961-016LF](#) [733-134](#) [733-162](#) [754199-000](#) [760-](#)
[3052](#) [80.063.4001.1](#) [800-90-001-10-001000](#) [800-90-010-10-002000](#) [801-43-002-10-013000](#) [801-43-006-10-002000](#) [803-41-018-10-001000](#)
[803-43-024-10-001000](#)