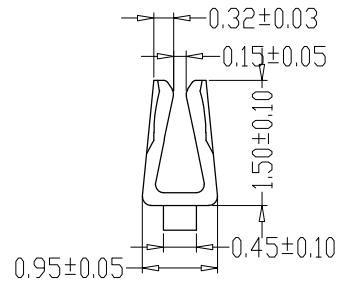
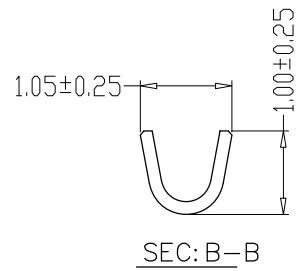
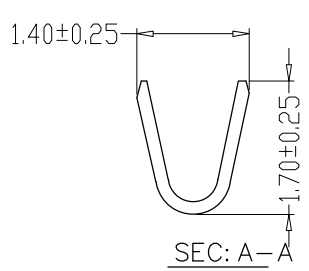
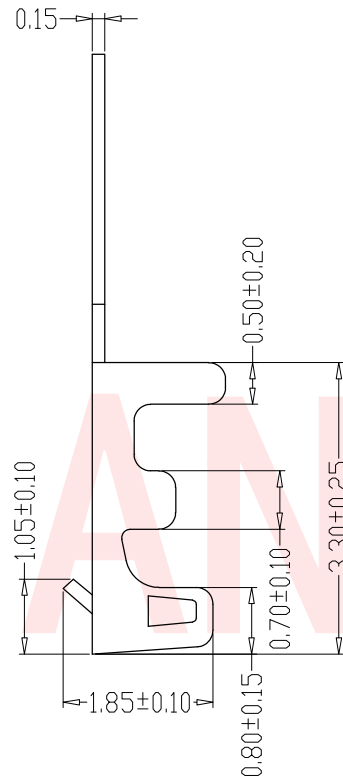
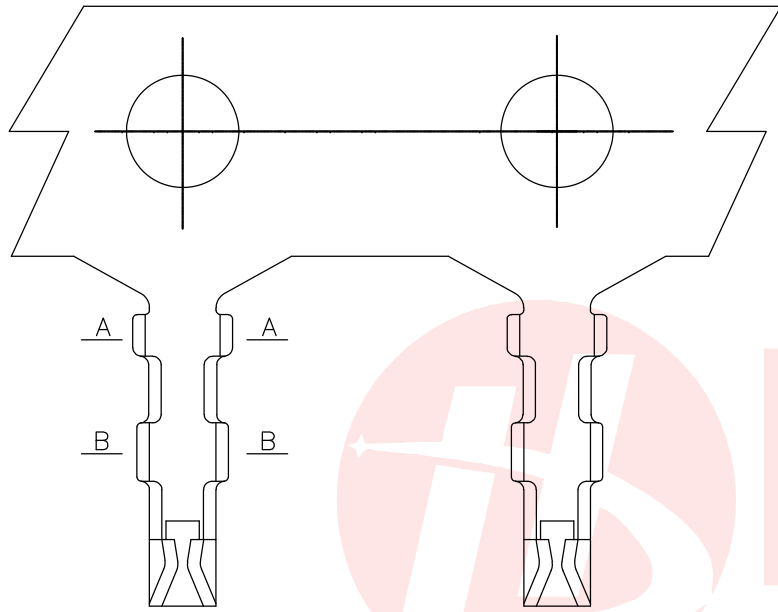




REV.	ECN NO OR DESCRIPTION	REVISED	DATE

**SPECIFICATIONS**

- 1、Current Rating: 1A AC, DC
- 2、Voltage Rating: 125V AC, DC
- 3、Temperatuer Range: -25°C ~ +85°C
- 4、Contact Resistance: 20mΩ Max
- 5、Insulation Resistance: 100MΩ Min
- 6、Withstanding Voltang: 500V AC/minute
- 7、Material: Phosphoric bronze Tin-plated
- 8、Applicable Wire Sizes: AWG#28~32#



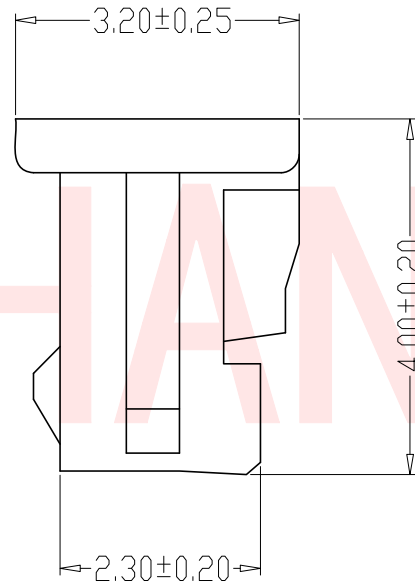
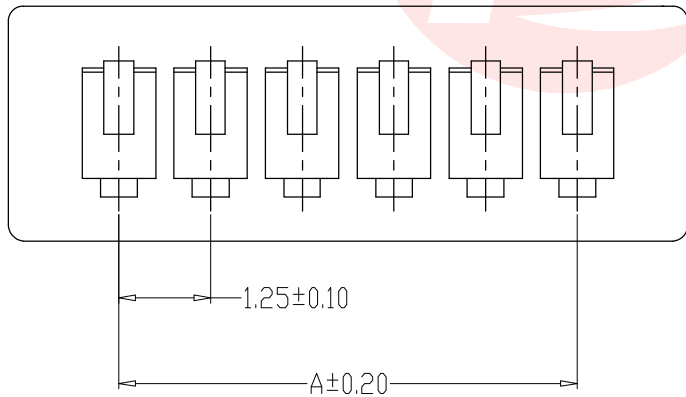
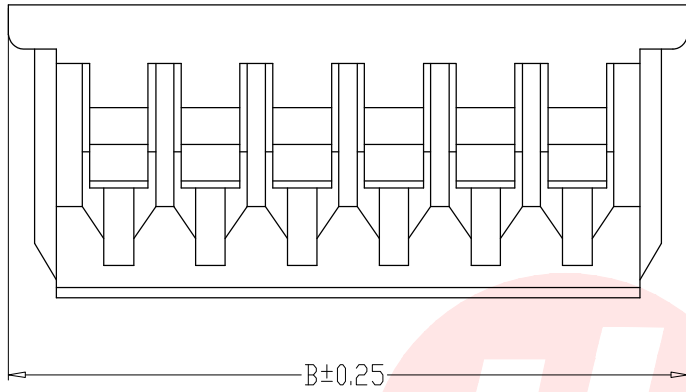
UNLESS OTHERWISE SPECIFIED TOLERANCES		东莞市汉博电子科技有限公司 DONGGUAN HANBO TECHNOLOGY CO., LTD			
DECIMALS:	ANGLES:	TITLE	WAFER MX1.25 配套端子		
X :±0.30	X :±2°	DWN	xiong	PART NO. WAFER-MX125DZ	
X.X :±0.20	X.X :±1°	CHKD	lee	SCALE:1:1	UNIT: mm
X.XX :±0.10		APVD	wang	SIZE: A4	SHEET:10F 1
		REV: A4			
CUSTOMER COPY					



REV.	ECN NO OR DESCRIPTION	REVISED	DATE

### SPECIFICATIONS

- 1、Current Rating: 1A AC, DC
- 2、Voltage Rating: 125V AC, DC
- 3、Temperatuer Range:  $-25^{\circ}\text{C} \sim +85^{\circ}\text{C}$
- 4、Contact Resistance:  $20\text{m}\Omega$  Max
- 5、Insulation Resistance:  $100\text{M}\Omega$  Min
- 6、Withstanding Voltang: 500V AC/minute
- 7、Material: Nylo66, UL94V-0



CSG PART NO.	尺寸 (mm)	
	A	B
WAFER-MX125JK-2A	1.25	4.25
WAFER-MX125JK-3A	2.50	5.50
WAFER-MX125JK-4A	3.75	6.75
WAFER-MX125JK-5A	5.00	8.00
WAFER-MX125JK-6A	6.25	9.25
WAFER-MX125JK-7A	7.50	10.50
WAFER-MX125JK-8A	8.75	11.75
WAFER-MX125JK-9A	10.00	13.00
WAFER-MX125JK-10A	11.25	14.25
WAFER-MX125JK-11A	12.50	15.50
WAFER-MX125JK-12A	13.75	16.75
WAFER-MX125JK-20A	23.75	26.75

UNLESS OTHERWISE SPECIFIED TOLERANCES



东莞市汉博电子科技有限公司  
DONGGUAN HANBO TECHNOLOGY CO., LTD

DECIMALS: ANGLES:  
X :±0.30 X :±2°  
X.X :±0.20 X.X :±1°  
X.XX :±0.10

TITLE	WAFER MX1.25 配套胶壳			
DWN	xiong	PART NO. WAFER-MX125JK-NA		
CHKD	lee	SCALE:1:1	UNIT: mm	
APVD	wang	SIZE: A4	SHEET:10F 1	REV: A4

CUSTOMER COPY



REV.	ECN NO OR DESCRIPTION	REVISED	DATE

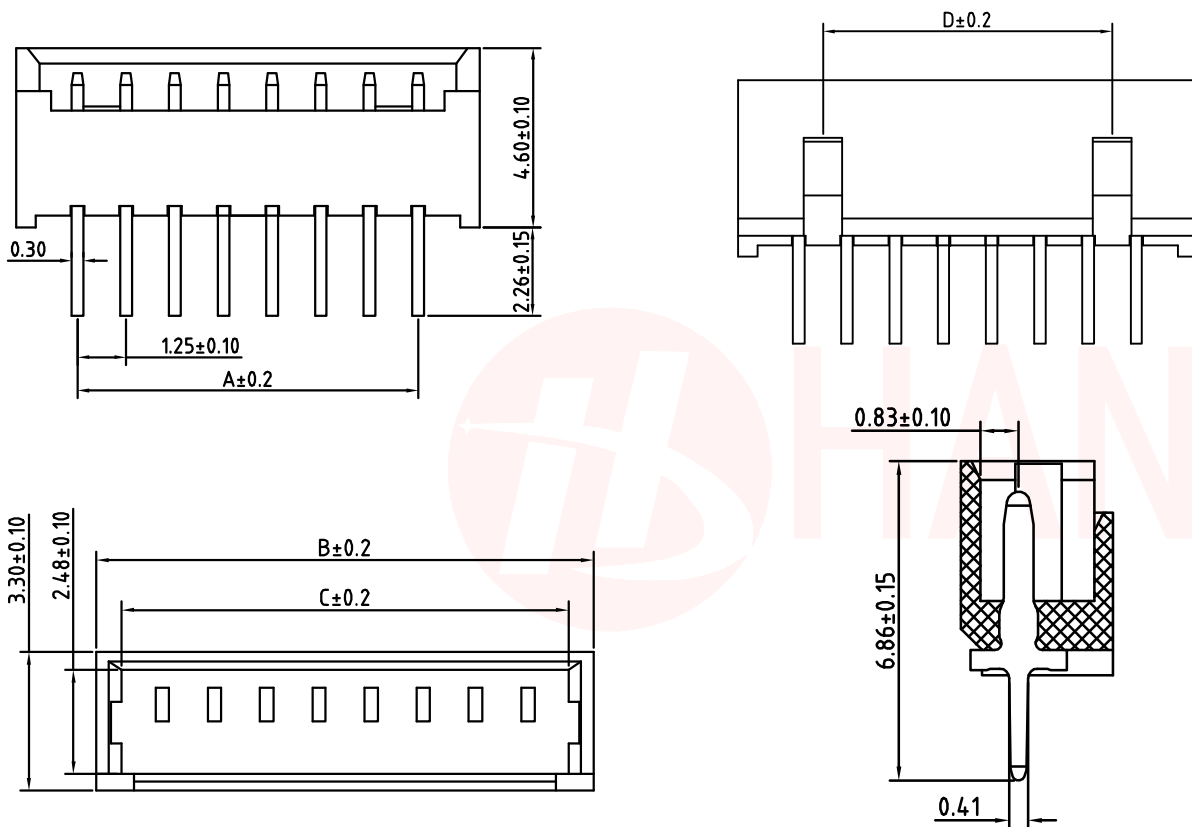
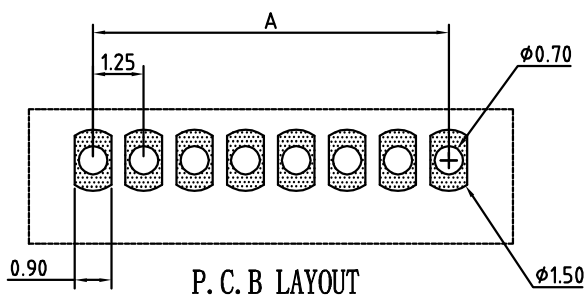


TABLE:

CSG PART NO.	PIN	Dimension mm			
		A	B	C	D
WAFER-MX125Z-2A	2P	1.25	4.40	3.20	
WAFER-MX125Z-3A	3P	2.50	5.65	4.45	
WAFER-MX125Z-4A	4P	3.75	6.90	5.70	2.50
WAFER-MX125Z-5A	5P	5.00	8.15	6.95	3.75
WAFER-MX125Z-6A	6P	6.25	9.40	8.20	5.00
WAFER-MX125Z-7A	7P	7.50	10.65	9.45	6.25
WAFER-MX125Z-8A	8P	8.75	11.90	10.70	7.50
WAFER-MX125Z-9A	9P	10.00	13.15	11.95	8.75
WAFER-MX125Z-10A	10P	11.25	14.40	13.20	10.00
WAFER-MX125Z-11A	11P	12.50	15.65	14.45	11.25
WAFER-MX125Z-12A	12P	13.75	16.90	15.70	12.50
WAFER-MX125Z-13A	13P	15.00	18.15	16.95	13.75
WAFER-MX125Z-14A	14P	16.25	19.40	18.20	15.00
WAFER-MX125Z-15A	15P	17.50	20.65	19.45	16.25
WAFER-MX125Z-16A	16P	18.75	21.90	20.70	17.50

技术要求:

- 1、塑件材料: PA66 (UL-94V-0)
- 2、接触件: 黄铜镀锡
- 3、接触电阻:  $\leq 10\text{m}\Omega$
- 4、绝缘电阻:  $\geq 1000\text{M}\Omega$
- 5、额定电压: 125V AC DC
- 6、额定电流: 1.0A AC DC
- 7、耐压: 能承受1000V AC/Minute
- 8、工作温度:  $-25^{\circ}\sim +85^{\circ}$
- 9、可焊性试验: 浸锡面积 $\geq 95\%$ 温度 $235^{+5}_{-0}$ , 时间 $2.5 \pm 0.5$ 秒
- 10、铅和镉等六大有害物质含量要符合环保要求



序号	名称	材料	电镀(锡): 整个表面镀底镍30U"MIN 再镀锡80U" MIN
1	端子/Contact	黄铜	
2	基座/Wafer	PA66(UL94V-0)	本色
UNLESS OTHERWISE SPECIFIED TOLERANCES		东莞市汉博电子科技有限公司 DONGGUAN HANBO TECHNOLOGY CO., LTD	
DECIMALS: X ±0.20 X.X ±0.10 X.XX ±0.05		TITLE: WAFER MX 1.25MM 直针 DIP TYPE DWN: xiong PART NO. WAFER-MX125Z-NA CHKD: lee SCALE:1:1 UNIT: mm APVD: wang SIZE: A4 SHEET:10F 1 REV: A4	
CUSTOMER COPY			



REV.	ECN NO OR DESCRIPTION	REVISED	DATE

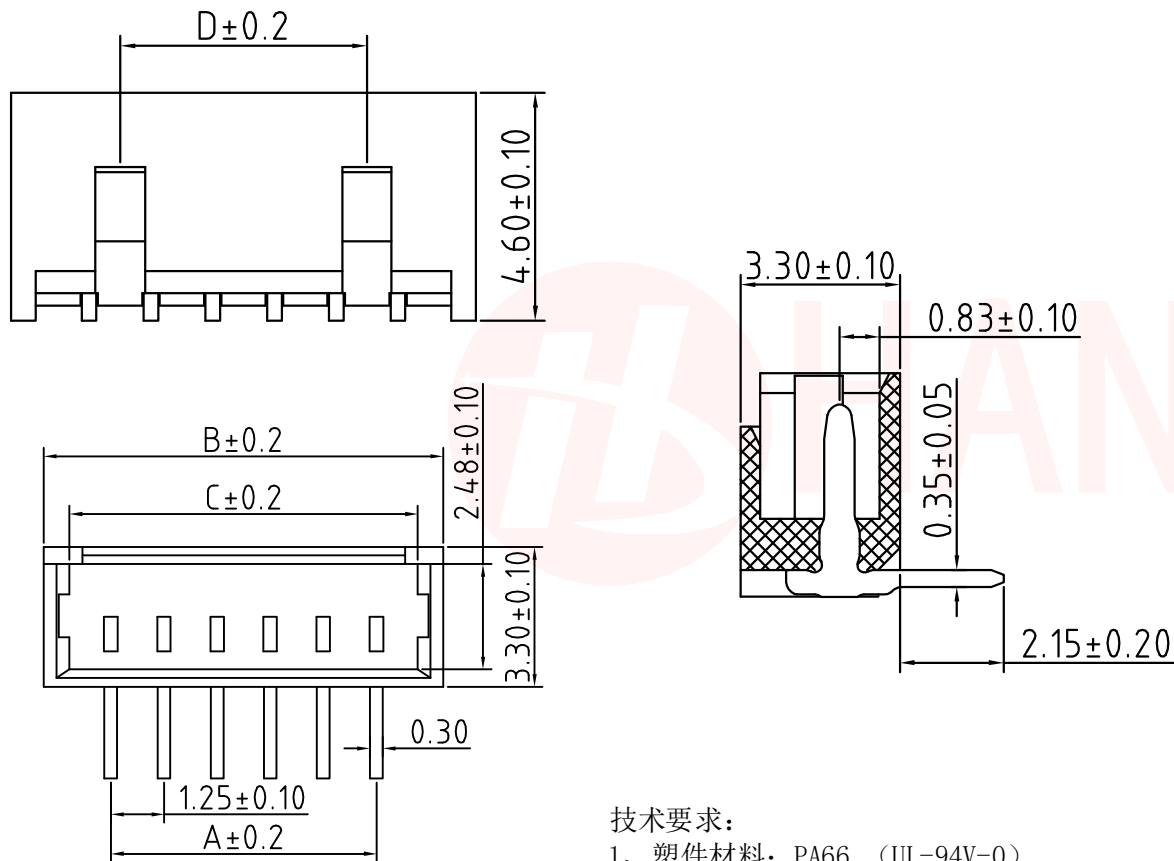
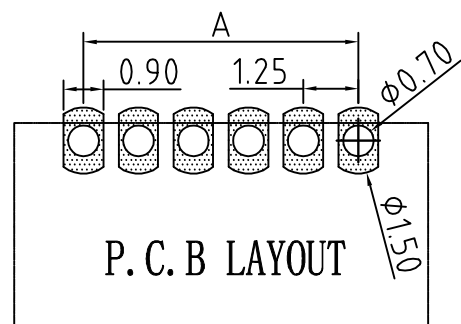


TABLE:

CSG PART NO.	Dimension mm				
	PIN	A	B	C	D
WAFER-MX125WZ-2A	2P	1.25	4.40	3.20	
WAFER-MX125WZ-3A	3P	2.50	5.65	4.45	
WAFER-MX125WZ-4A	4P	3.75	6.90	5.70	2.50
WAFER-MX125WZ-5A	5P	5.00	8.15	6.95	3.75
WAFER-MX125WZ-6A	6P	6.25	9.40	8.20	5.00
WAFER-MX125WZ-7A	7P	7.50	10.65	9.45	6.25
WAFER-MX125WZ-8A	8P	8.75	11.90	10.70	7.50
WAFER-MX125WZ-9A	9P	10.00	13.15	11.95	8.75
WAFER-MX125WZ-10A	10P	11.25	14.40	13.20	10.00
WAFER-MX125WZ-11A	11P	12.50	15.65	14.45	11.25
WAFER-MX125WZ-12A	12P	13.75	16.90	15.70	12.50
WAFER-MX125WZ-13A	13P	15.00	18.15	16.95	13.75
WAFER-MX125WZ-14A	14P	16.25	19.40	18.20	15.00
WAFER-MX125WZ-15A	15P	17.50	20.65	19.45	16.25
WAFER-MX125WZ-16A	16P	18.75	21.90	20.70	17.50

技术要求:

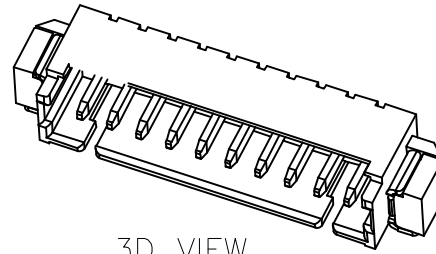
- 1、塑件材料: PA66 (UL-94V-0)
- 2、接触件: 黄铜镀锡
- 3、接触电阻:  $\leq 10m\Omega$
- 4、绝缘电阻:  $\geq 1000M\Omega$
- 5、额定电压: 125V AC DC
- 6、额定电流: 1.0A AC DC
- 7、耐压: 能承受1000V AC/Minute
- 8、工作温度:  $-25^{\circ} \sim +85^{\circ}$
- 9、可焊性试验: 浸锡面积  $\geq 95\%$  温度  $235_{-0}^{+5}$ , 时间  $2.5 \pm 0.5$  秒
- 10、铅和镉等六大有害物质含量要符合环保要求



序号	名称	材料	电镀(锡): 整个表面镀底镍 30U"MIN 再镀锡80U" MIN
1	端子/Contact	黄铜	
2	基座/Wafer	PA66 (UL94V-0)	本色
UNLESS OTHERWISE SPECIFIED TOLERANCES		东莞市汉博电子科技有限公司 DONGGUAN HANBO TECHNOLOGY CO., LTD	
DECIMALS: ANGLES:		TITLE: WAFER MX 1.25MM 弯针 DIP TYPE	
X	:±0.20	X	:±2°
X.X	:±0.10	X.X	:±1°
X.XX	:±0.05		
DWN	xiong	PART NO. WAFER-MX125WZ-NA	
CHKD	lee	SCALE:1:1	UNIT: mm
APVD	wang	SIZE: A4	SHEET:10F 1
REV: A4			
CUSTOMER COPY			



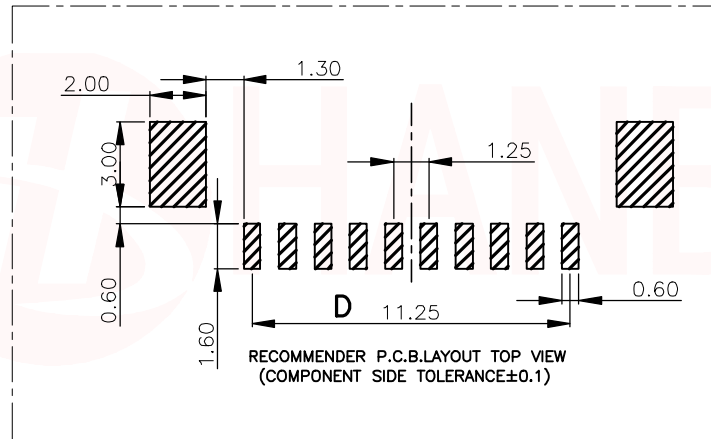
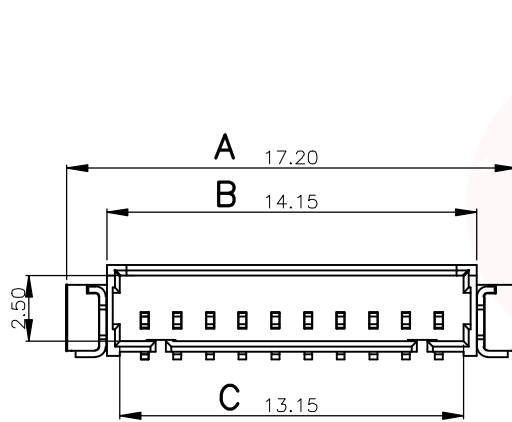
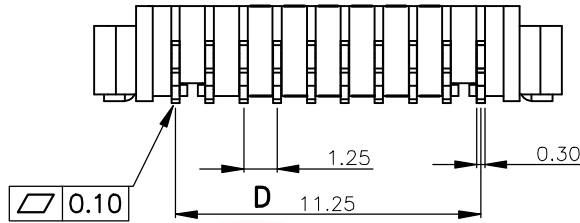
REV.	ECN NO OR DESCRIPTION	REVISED	DATE



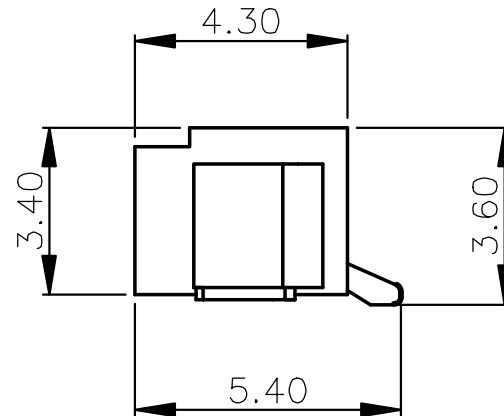
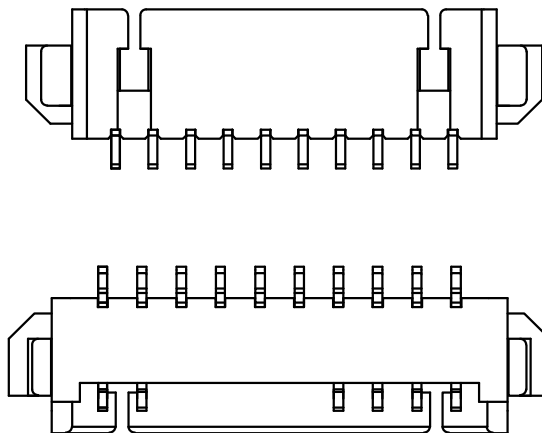
3D VIEW

Specifications:

1. Rated Voltage : 125V AC/DC
2. Rated Current : 1A AC,DC
3. Withstand Voltage : 200V AC/minute
4. Contact Resistance : 50mΩ(MAX.)
5. Insulation Resistance : 100MΩ(MIN.)
6. Storage Temperature Range: -40°C~+85°C;
7. Operation Temperature Range: -25°C~+70°C;



PIN数	A±0.1	B±0.1	C±0.1	D±0.1
2A	7.20	4.15	3.15	1.25
3A	8.45	5.40	4.40	2.50
4A	9.70	6.65	5.65	3.75
5A	10.95	7.90	6.90	5.00
6A	12.20	9.15	8.15	6.25
7A	13.45	10.40	9.40	7.50
8A	14.70	11.65	10.65	8.75
9A	15.95	12.90	11.90	10.00
10A	17.20	14.15	13.15	11.25



3	插片	黄铜H65	镀镍锡	
2	插针	黄铜H65	镀镍锡	
1	基座	LCP	本色	
序号	品名	材质	电镀/颜色	备注

UNLESS OTHERWISE SPECIFIED TOLERANCES



东莞市汉博电子科技有限公司  
DONGGUAN HANBO TECHNOLOGY CO., LTD

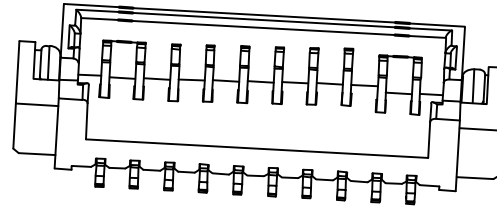
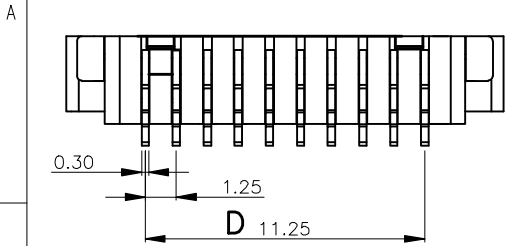
DECIMALS: ANGLES:  
X :±0.25 X :±2°  
X.X :±0.15 X.X :±1°  
X.XX :±0.05

TITLE	WAFER 1.25贴片			
DWN	xiong	PART NO. WAFER-125W-NA		
CHKD	lee	SCALE:1:1	UNIT: mm	
APVD	wang	SIZE: A4	SHEET:1OF 1	REV: A4

CUSTOMER COPY



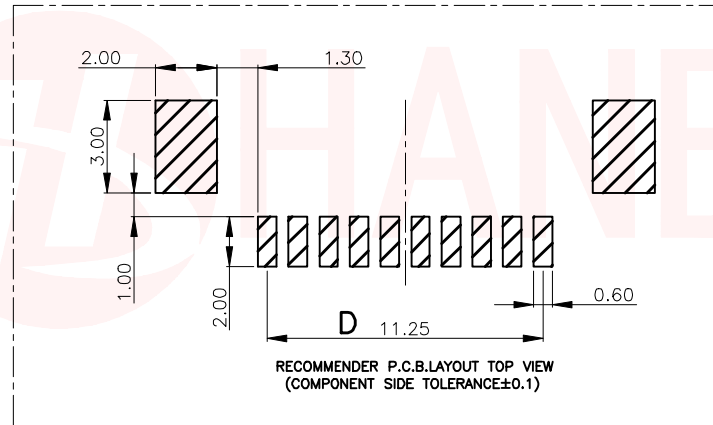
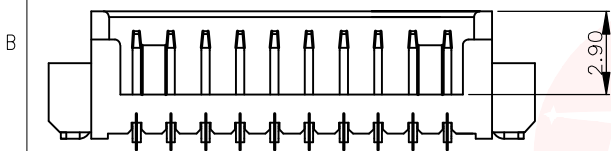
REV.	ECN NO OR DESCRIPTION	REVISED	DATE



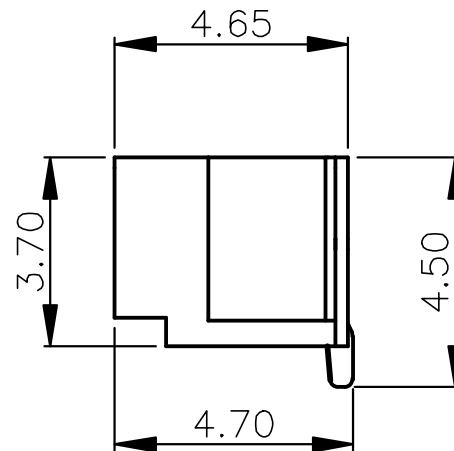
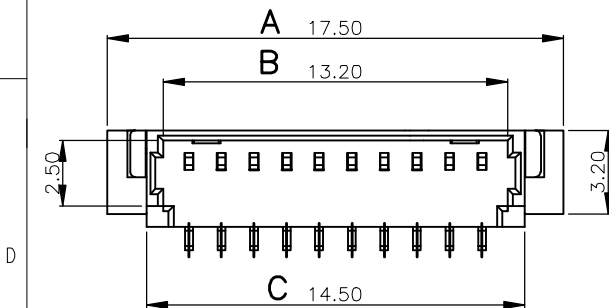
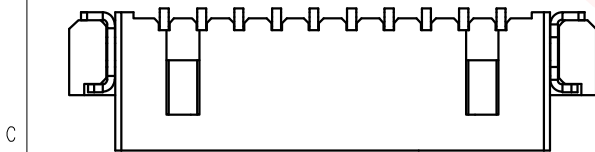
3D VIEW

Specifications:

1. Rated Voltage : 125V AC/DC
2. Rated Current : 1A AC,DC
3. Withstand Voltage : 200V AC/minute
4. Contact Resistance : 50mΩ(MAX.)
5. Insulation Resistance : 100MΩ(MIN.)
6. Storage Temperature Range: -40°C~+85°C;
7. Operation Temperature Range: -25°C~+70°C;



PIN数	A±0.1	B±0.1	C±0.1	D±0.1
2A	7.50	3.20	4.50	1.25
3A	8.75	4.45	5.75	2.50
4A	10.00	5.70	7.00	3.75
5A	11.25	6.95	8.25	5.00
6A	12.50	8.20	9.50	6.25
7A	13.75	9.45	10.75	7.50
8A	15.00	10.70	12.00	8.75
9A	16.25	11.95	13.25	10.00
10A	17.50	13.20	14.50	11.25



3	插片	黄铜H65	镀镍锡	
2	插针	黄铜H65	镀镍锡	
1	底座	LCP	本色	
序号	品名	材质	电镀/颜色	备注

UNLESS OTHERWISE SPECIFIED TOLERANCES



东莞市汉博电子科技有限公司  
DONGGUAN HANBO TECHNOLOGY CO., LTD

DECIMALS: ANGLES:  
X :±0.25 X :±2°  
X.X :±0.15 X.X :±1°  
X.XX :±0.05

TITLE	WAFER 1.25立贴			
DWN	xiong	PART NO. WAFER-125L-NA		
CHKD	lee	SCALE:1:1	UNIT: mm	
APVD	wang	SIZE: A4	SHEET:1OF 1	REV: A4

CUSTOMER COPY

## X-ON Electronics

Largest Supplier of Electrical and Electronic Components

*Click to view similar products for [Headers & Wire Housings](#) category:*

*Click to view products by [Hanbo Electronic](#) manufacturer:*

Other Similar products are found below :

[0015917161](#) [0022155065](#) [57102-F02-18ULF](#) [58102-G61-06LF](#) [582553-1](#) [01.001.5753.1](#) [0050291907](#) [02.125.8002.8](#) [609-3404](#) [61062-3](#)  
[CSU011177004](#) [622-0430](#) [622-3653LF](#) [63453-116](#) [636-1030](#) [636-1427](#) [636-3427](#) [636-4007](#) [641938-9](#) [65495-038](#) [65692-001LF](#) [65781-018](#)  
[65781-047](#) [65817-010LF](#) [65817-015LF](#) [67095-007LF](#) [67601157](#) [68631-112](#) [68645-018](#) [699319-000](#) [70.362.1628.0](#) [70-4210](#) [70-4226B](#) [70-](#)  
[4853B](#) [71.350.2428.0](#) [733-134](#) [733-162](#) [760-3052](#) [MHR-64-VUAL](#) [80.063.4001.1](#) [800-90-001-10-001000](#) [801-43-002-10-013000](#)  
[801-43-006-10-002000](#) [803-43-024-10-001000](#) [803-93-012-10-001000](#) [8-1437020-4](#) [819-22-004-30-001101](#) [820-22-006-30-001101](#)  
[820-22-008-30-001101](#) [821-22-002-10-001101](#)