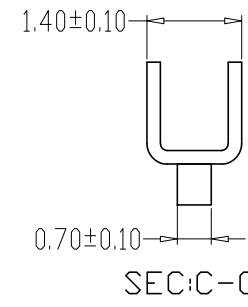
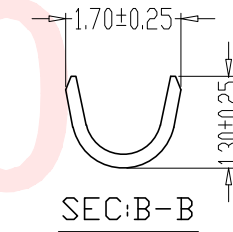
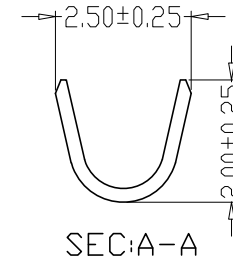
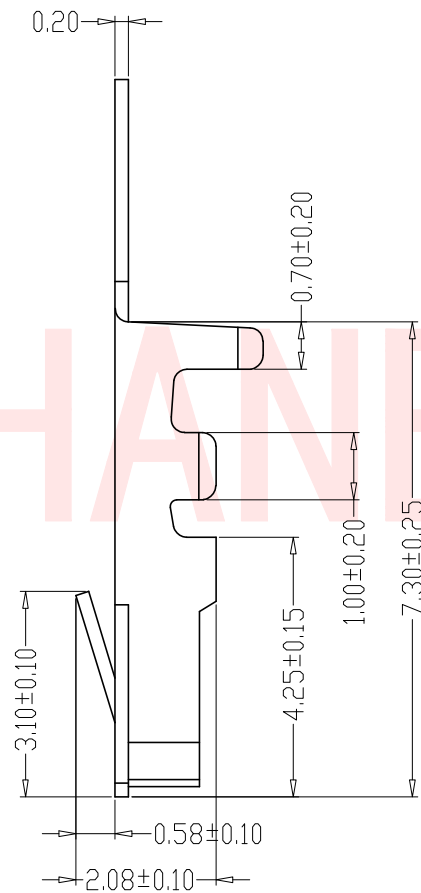
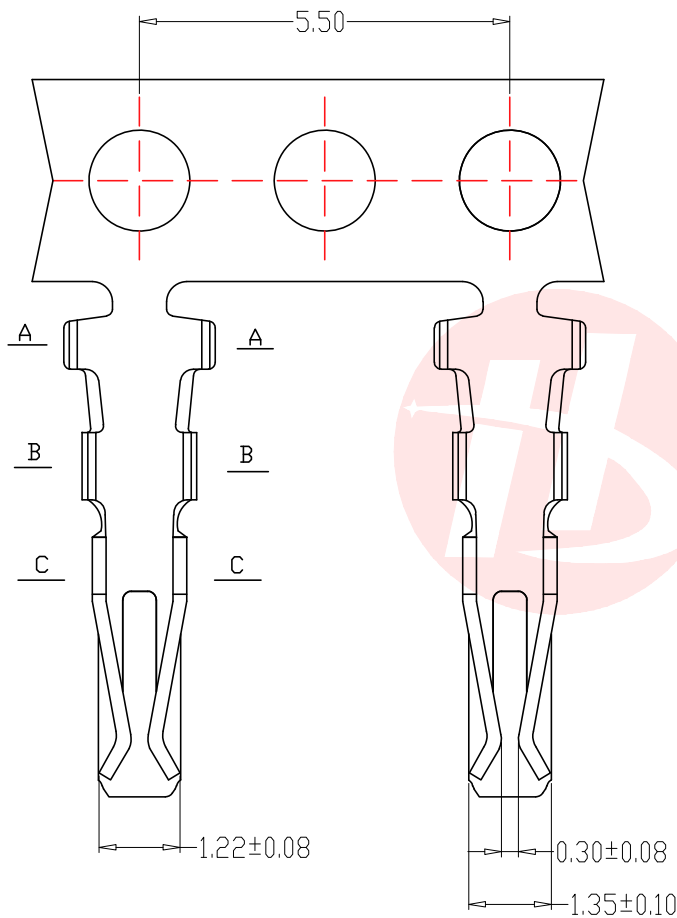




| REV. | ECN NO OR DESCRIPTION | REVISED | DATE |
|------|-----------------------|---------|------|
| | | | |



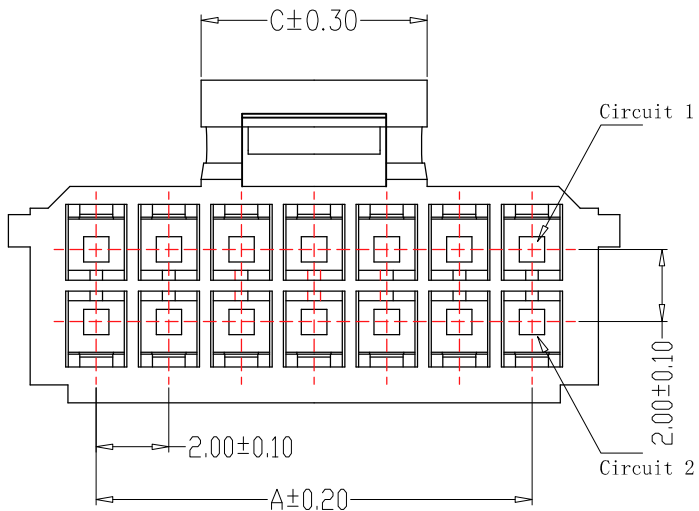
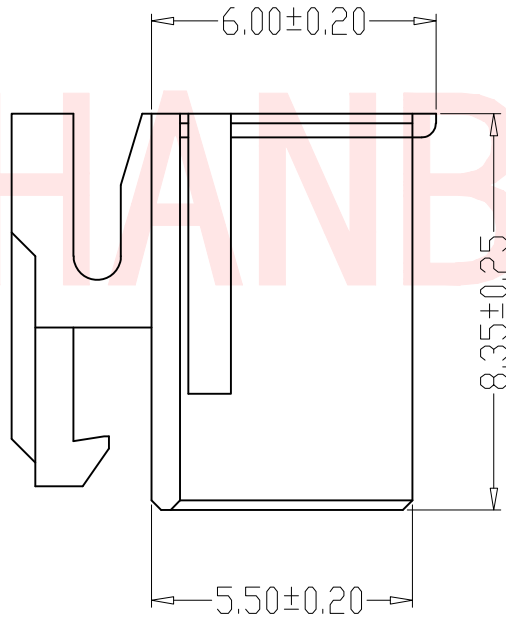
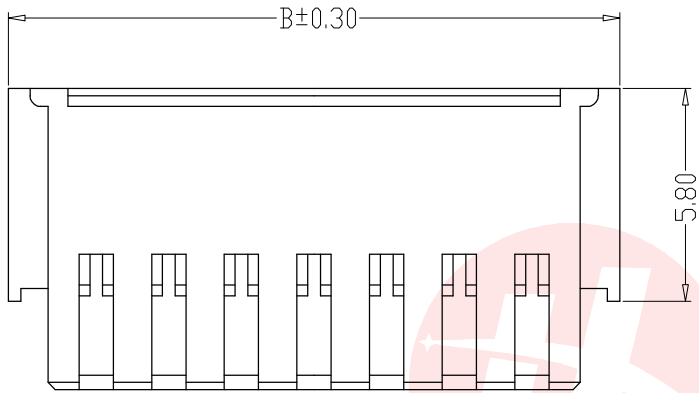
SPECIFICATIONS

- 1、Current Rating: 3A AC, DC
- 2、Voltage Rating: 250V AC, DC
- 3、Temperatuer Range: -25°C~+85°C
- 4、Contact Resistance: 20mΩ Max
- 5、Insulation Resistance: 1000MΩ Min
- 6、Withstanding Voltang: 800V AC/minute
- 7、Material:Phosphoric bronze Tin-plated
- 8、Applicable Wire Sizes:AWG#22~28#

| | | | | | |
|--------------------------------------|----------|---|------------------|-------------------------|-------------|
| UNLESS OTHERWISE SPECIFED TOLERANCES | | 东莞市汉博电子科技有限公司 DONGGUAN HANBO TECHNOLOGY CO., LTD | | | |
| DECIMALS: | ANGLES: | TITLE | WAFER PHB 2.00端子 | | |
| X :±0.20 | X :±2° | DWN | xiong | PART NO. WAFER-PHB200DZ | |
| X.X :±0.10 | X.X :±1° | CHKD | lee | SCALE:1:1 | UNIT: mm |
| X.XX :±0.05 | | APVD | wang | SIZE: A4 | SHEET:10F 1 |
| | | REV: A4 | | | |
| CUSTOMER COPY | | | | | |



| REV. | ECN NO OR DESCRIPTION | REVISED | DATE |
|------|-----------------------|---------|------|
| | | | |



SPECIFICATIONS

- 1、Current Rating: 3A AC, DC
- 2、Voltage Rating: 250V AC, DC
- 3、Temperatuer Range: -25°C ~ +85°C
- 4、Contact Resistance: 20mΩ Max
- 5、Insulation Resistance: 1000 MΩ Min
- 6、Withstanding Voltang: 800V AC/minute
- 7、Material: Nylon66, UL94V-0

TABLE:

| CSG PART NO. | PIN位 | A | B | C |
|--------------------|-------|-------|-------|-------|
| WAFER-PHB200JK-2A | 2PIN | 2.00 | 6.70 | 3.00 |
| WAFER-PHB200JK-3A | 3PIN | 4.00 | 8.70 | 3.00 |
| WAFER-PHB200JK-4A | 4PIN | 6.00 | 10.70 | 4.90 |
| WAFER-PHB200JK-5A | 5PIN | 8.00 | 12.70 | 6.30 |
| WAFER-PHB200JK-6A | 6PIN | 10.00 | 14.70 | 8.30 |
| WAFER-PHB200JK-7A | 7PIN | 12.00 | 16.70 | 8.30 |
| WAFER-PHB200JK-8A | 8PIN | 14.00 | 18.70 | 8.30 |
| WAFER-PHB200JK-9A | 9PIN | 16.00 | 20.70 | 12.30 |
| WAFER-PHB200JK-10A | 10PIN | 18.00 | 22.70 | 12.30 |
| WAFER-PHB200JK-11A | 11PIN | 20.00 | 24.70 | 12.30 |
| WAFER-PHB200JK-12A | 12PIN | 22.00 | 26.70 | 12.30 |
| WAFER-PHB200JK-20A | 20PIN | 38.00 | 42.70 | 16.30 |

UNLESS OTHERWISE SPECIFIED TOLERANCES

DECIMALS: ANGLES:
 X :±0.20 X :±2°
 X.X :±0.10 X.X :±1°
 X.XX :±0.05

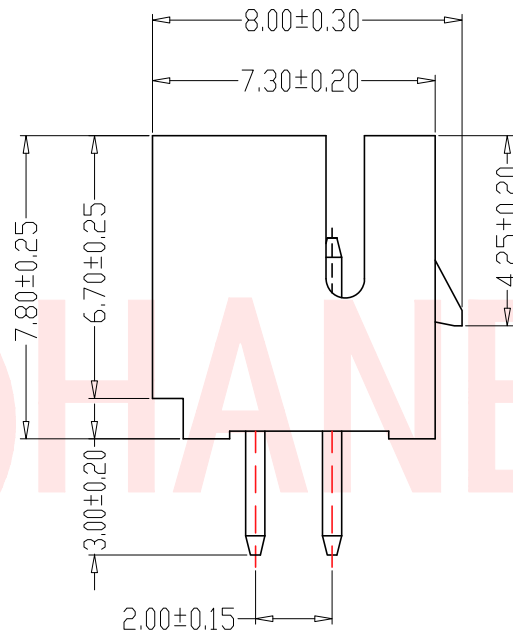
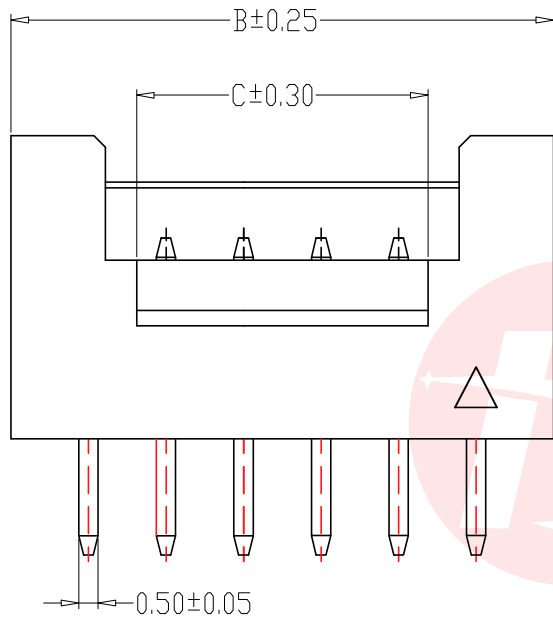


东莞市汉博电子科技有限公司
 DONGGUAN HANBO TECHNOLOGY CO., LTD

| | | | |
|---------------|------------------|----------------------------|-------------|
| TITLE | WAFER PHB 2.00胶壳 | | |
| DWN | xiong | PART NO. WAFER-PHB200JK-NA | |
| CHKD | lee | SCALE:1:1 | UNIT: mm |
| APVD | wang | SIZE: A4 | SHEET:10F 1 |
| REV: A4 | | | |
| CUSTOMER COPY | | | |



| REV. | ECN NO OR DESCRIPTION | REVISED | DATE |
|------|-----------------------|---------|------|
| | | | |

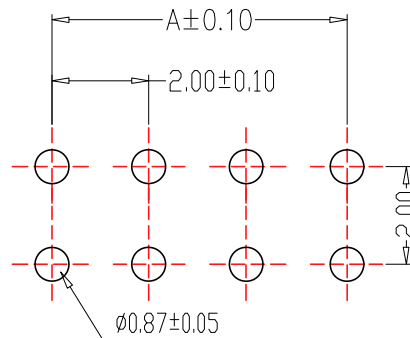
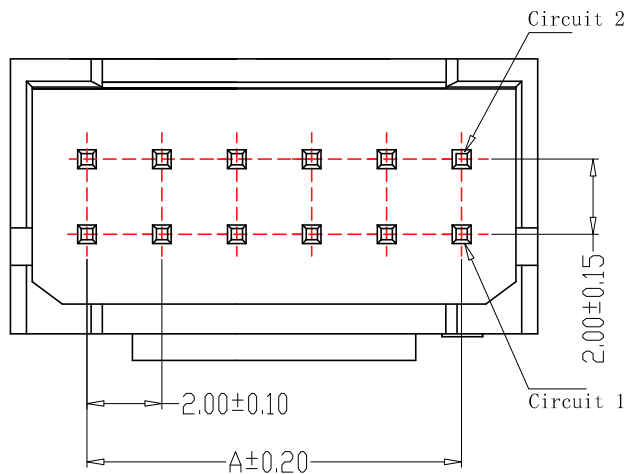


SPECIFICATIONS

- 1、Current Rating: 3A AC, DC
- 2、Voltage Rating: 250V AC, DC
- 3、Temperatuer Range: -25℃~+85℃
- 4、Contact Resistance: 20mΩ Max
- 5、Insulation Resistance: 1000MΩ Min
- 6、Withstanding Voltang: 800V AC/minute
- 7、Material: Wafer Nylon66, UL94V-0
PIN Brass Tin-plated

TABLE:

| CSG PART NO. | PIN位 | A | B | C |
|--------------------|-------|-------|-------|-------|
| WAFER-PHB200ZZ-2A | 2PIN | 2.00 | 6.00 | 3.00 |
| WAFER-PHB200ZZ-3A | 3PIN | 4.00 | 8.00 | 3.00 |
| WAFER-PHB200ZZ-4A | 4PIN | 6.00 | 10.00 | 3.00 |
| WAFER-PHB200ZZ-5A | 5PIN | 8.00 | 12.00 | 5.00 |
| WAFER-PHB200ZZ-6A | 6PIN | 10.00 | 14.00 | 7.00 |
| WAFER-PHB200ZZ-7A | 7PIN | 12.00 | 16.00 | 9.00 |
| WAFER-PHB200ZZ-8A | 8PIN | 14.00 | 18.00 | 11.00 |
| WAFER-PHB200ZZ-9A | 9PIN | 16.00 | 20.00 | 13.00 |
| WAFER-PHB200ZZ-10A | 10PIN | 18.00 | 22.00 | 15.00 |
| WAFER-PHB200ZZ-11A | 11PIN | 20.00 | 24.00 | 17.00 |
| WAFER-PHB200ZZ-12A | 12PIN | 22.00 | 26.00 | 19.00 |
| WAFER-PHB200ZZ-20A | 20PIN | 38.00 | 42.00 | 35.00 |



PCB LAYOUT

UNLESS OTHERWISE SPECIFIED TOLERANCES

| | |
|-------------|----------|
| DECIMALS: | ANGLES: |
| X :±0.20 | X :±2° |
| X.X :±0.10 | X.X :±1° |
| X.XX :±0.05 | |



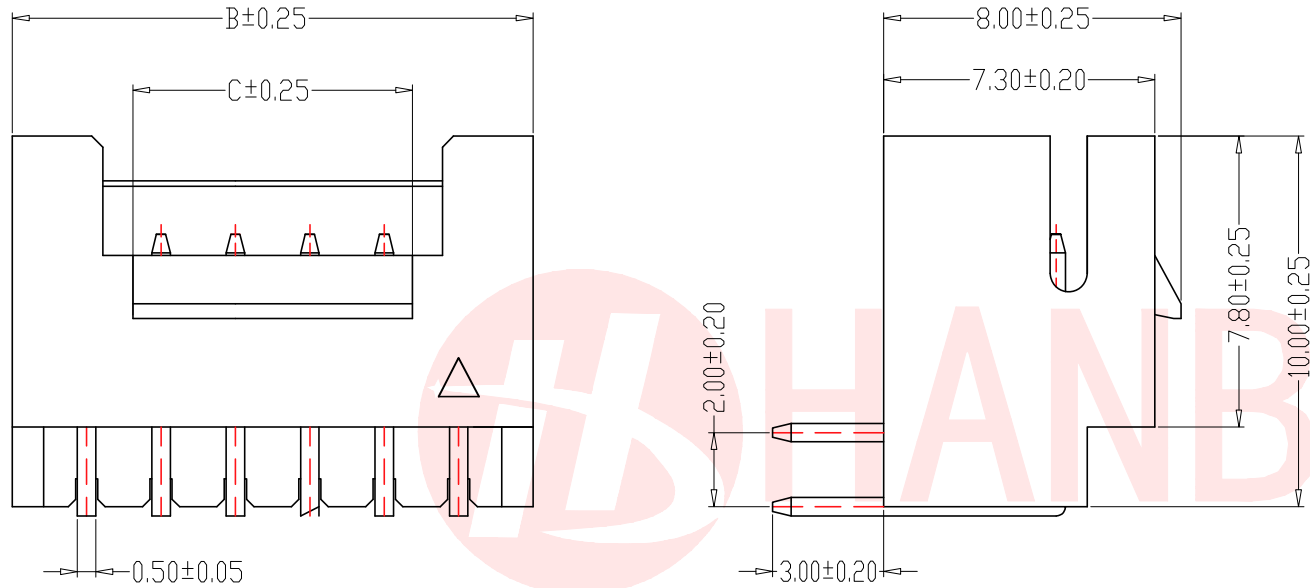
东莞市汉博电子科技有限公司
DONGGUAN HANBO TECHNOLOGY CO., LTD

| | | | |
|-------|------------------|----------------------------|-------------|
| TITLE | WAFER PHB 2.00直针 | | |
| DWN | xiong | PART NO. WAFER-PHB200ZZ-NA | |
| CHKD | lee | SCALE:1:1 | UNIT: mm |
| APVD | wang | SIZE: A4 | SHEET:10F 1 |
| | | | REV: A4 |

CUSTOMER COPY



| REV. | ECN NO OR DESCRIPTION | REVISED | DATE |
|------|-----------------------|---------|------|
| | | | |

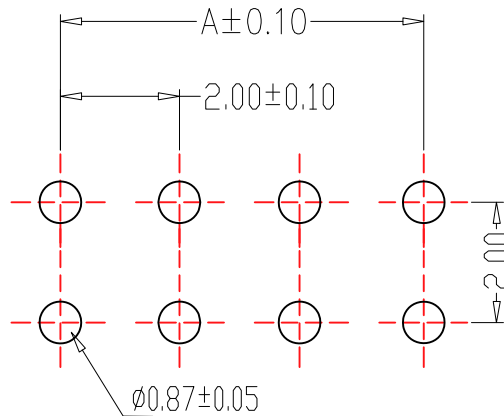
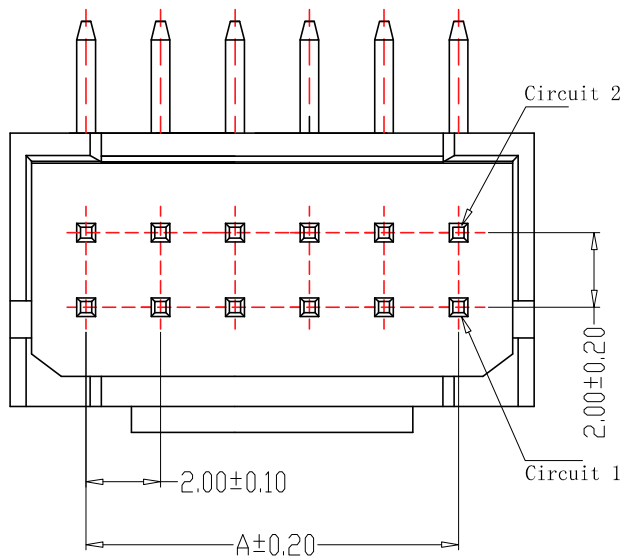


SPECIFICATIONS

- 1、Current Rating: 3A AC, DC
- 2、Voltage Rating: 250V AC, DC
- 3、Temperatuer Range: -25°C ~ +85°C
- 4、Contact Resistance: 20mΩ Max
- 5、Insulation Resistance: 1000MΩ Min
- 6、Withstanding Voltang: 800V AC/minute
- 7、Material: Wafer Nylon66, UL94V-0
PIN Brass Tin-plated

TABLE:

| CSG PART NO. | PIN位 | A | B | C |
|--------------------|-------|-------|-------|-------|
| WAFER-PHB200WZ-2A | 2PIN | 2.00 | 6.00 | 3.00 |
| WAFER-PHB200WZ-3A | 3PIN | 4.00 | 8.00 | 3.00 |
| WAFER-PHB200WZ-4A | 4PIN | 6.00 | 10.00 | 3.00 |
| WAFER-PHB200WZ-5A | 5PIN | 8.00 | 12.00 | 5.00 |
| WAFER-PHB200WZ-6A | 6PIN | 10.00 | 14.00 | 7.00 |
| WAFER-PHB200WZ-7A | 7PIN | 12.00 | 16.00 | 9.00 |
| WAFER-PHB200WZ-8A | 8PIN | 14.00 | 18.00 | 11.00 |
| WAFER-PHB200WZ-9A | 9PIN | 16.00 | 20.00 | 13.00 |
| WAFER-PHB200WZ-10A | 10PIN | 18.00 | 22.00 | 15.00 |
| WAFER-PHB200WZ-11A | 11PIN | 20.00 | 24.00 | 17.00 |
| WAFER-PHB200WZ-12A | 12PIN | 22.00 | 26.00 | 19.00 |
| WAFER-PHB200WZ-20A | 20PIN | 38.00 | 42.00 | 35.00 |



PCB LAYOUT

UNLESS OTHERWISE SPECIFIED TOLERANCES

| | |
|-------------|----------|
| DECIMALS: | ANGLES: |
| X :±0.20 | X :±2° |
| X.X :±0.10 | X.X :±1° |
| X.XX :±0.05 | |

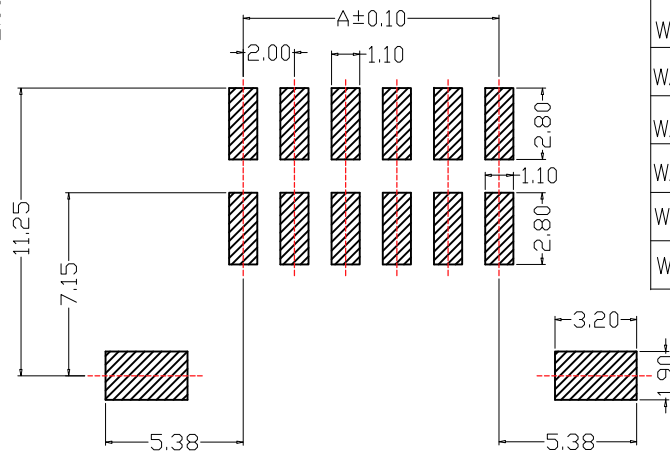
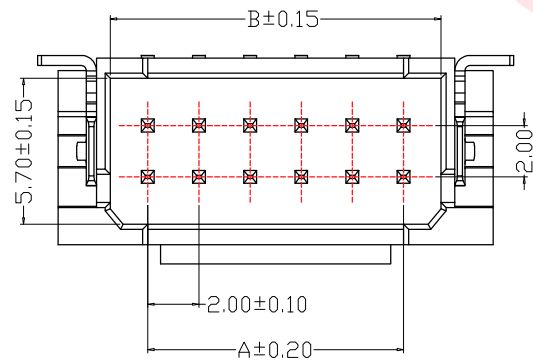
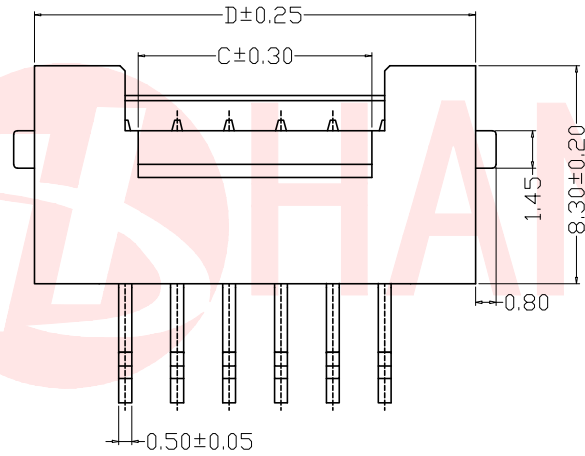
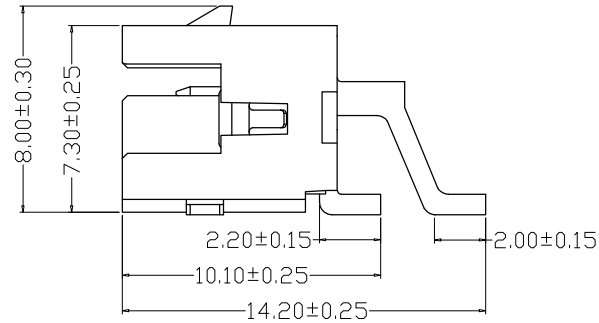
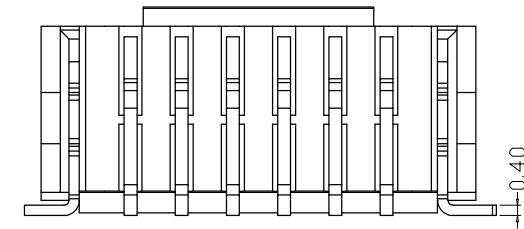


东莞市汉博电子科技有限公司
DONGGUAN HANBO TECHNOLOGY CO., LTD

| | | | |
|---------------|------------------|----------------------------|-------------|
| TITLE | WAFER PHB 2.00弯针 | | |
| DWN | xiong | PART NO. WAFER-PHB200WZ-NA | |
| CHKD | lee | SCALE:1:1 | UNIT: mm |
| APVD | wang | SIZE: A4 | SHEET:10F 1 |
| REV: A4 | | | |
| CUSTOMER COPY | | | |



| REV. | ECN NO OR DESCRIPTION | REVISED | DATE |
|------|-----------------------|---------|------|
| | | | |



PCB LAYOUT

SPECIFICATIONS

- 1、Current Rating: 3A AC, DC
- 2、Voltage Rating: 250V AC, DC
- 3、Temperatuer Range: -25℃~+85℃
- 4、Contact Resistance: 20mΩ Max
- 5、Insulation Resistance: 1000MΩ Min
- 6、Withstanding Voltang: 800V AC/minute
- 7、Material: Wafer LCP, UL94V-0
PIN Brass Tin-plated

TABLE:

| CSG PART NO. | PIN位 | A | B | C | D |
|--------------------|-------|-------|-------|-------|-------|
| WAFER-PHB200WT-2A | 2PIN | 2.00 | 4.90 | 3.00 | 9.00 |
| WAFER-PHB200WT-3A | 3PIN | 4.00 | 6.90 | 3.00 | 11.00 |
| WAFER-PHB200WT-4A | 4PIN | 6.00 | 8.90 | 3.00 | 13.00 |
| WAFER-PHB200WT-5A | 5PIN | 8.00 | 10.90 | 5.00 | 15.00 |
| WAFER-PHB200WT-6A | 6PIN | 10.00 | 12.90 | 7.00 | 17.00 |
| WAFER-PHB200WT-7A | 7PIN | 12.00 | 14.90 | 9.00 | 19.00 |
| WAFER-PHB200WT-8A | 8PIN | 14.00 | 16.90 | 11.00 | 21.00 |
| WAFER-PHB200WT-9A | 9PIN | 16.00 | 18.90 | 13.00 | 23.00 |
| WAFER-PHB200WT-10A | 10PIN | 18.00 | 20.90 | 15.00 | 25.00 |
| WAFER-PHB200WT-11A | 11PIN | 20.00 | 22.90 | 17.00 | 27.00 |
| WAFER-PHB200WT-12A | 12PIN | 22.00 | 24.90 | 19.00 | 29.00 |
| WAFER-PHB200WT-20A | 20PIN | 38.00 | 40.90 | 35.00 | 45.00 |

UNLESS OTHERWISE SPECIFIED TOLERANCES

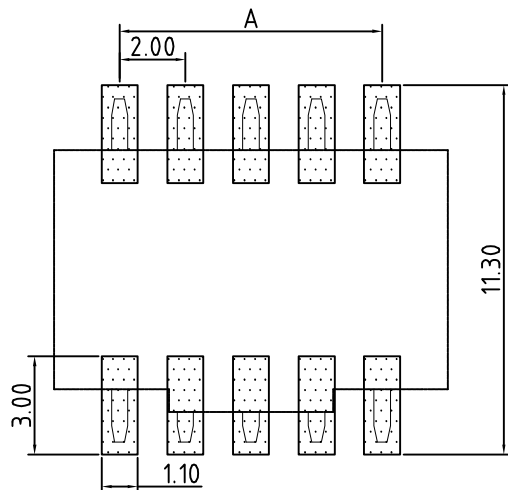
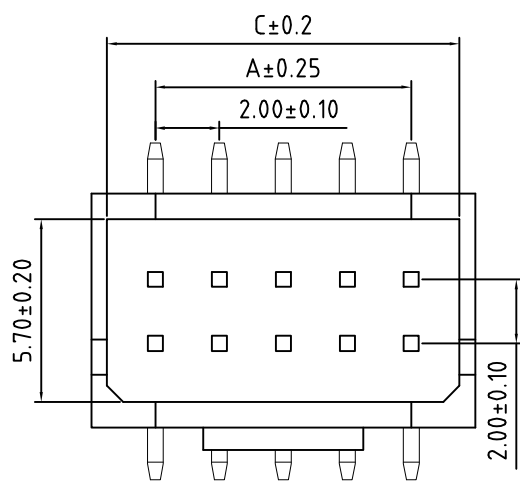
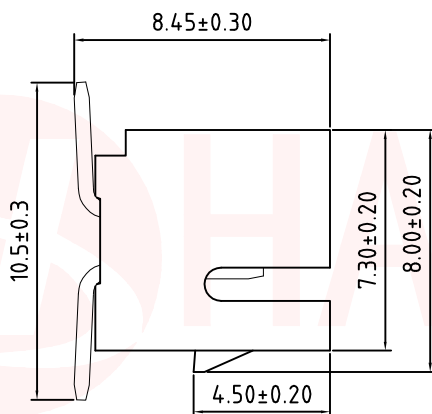
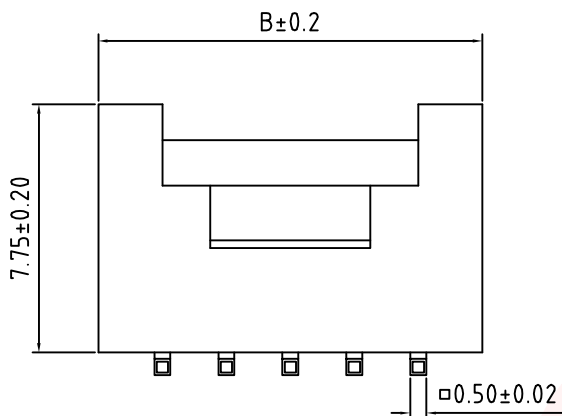
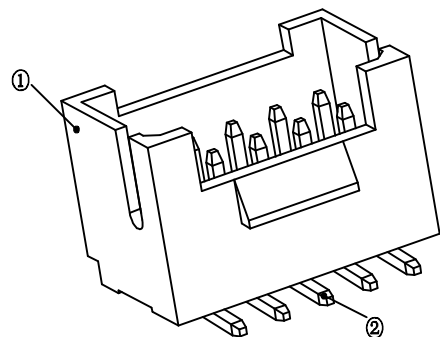
DECIMALS: ANGLES:
 X :±0.20 X :±2°
 X.X :±0.10 X.X :±1°
 X.XX :±0.05



东莞市汉博电子科技有限公司
 DONGGUAN HANBO TECHNOLOGY CO., LTD

| | | | | |
|-------|-----------------------|----------------------------|-------------|---------|
| TITLE | WAFER PHB 2.00双头带焊片卧贴 | | | |
| DWN | xiong | PART NO. WAFER-PHB200WT-NA | | |
| CHKD | lee | SCALE:1:1 | UNIT: mm | |
| APVD | wang | SIZE: A4 | SHEET:10F 1 | REV: A4 |

CUSTOMER COPY



| REV. | ECN NO OR DESCRIPTION | REVISED | DATE |
|------|-----------------------|---------|------|
| | | | |
| | | | |

技术参数

间距: 2.0
 温度范围: -25~+85°C
 额定电压: 250V AC, DC
 额定电流: 2.0A AC, DC
 接触电阻: ≤20mΩ
 绝缘电阻: 800MΩ
 耐压: 500V AC/minute
 塑座: PA46 本色
 接触针: 黄铜 (镀锡)

TABLE:

| CSG PART NO. | Dimension mm | | | |
|----------------------|--------------|-------|-------|-------|
| | PIN | A | B | C |
| WAFER-PHB200-LT-22A | 2*2P | 2.00 | 6.00 | 5.00 |
| WAFER-PHB200-LT-23A | 2*3P | 4.00 | 8.00 | 7.00 |
| WAFER-PHB200-LT-24A | 2*4P | 6.00 | 10.00 | 9.00 |
| WAFER-PHB200-LT-25A | 2*5P | 8.00 | 12.00 | 11.00 |
| WAFER-PHB200-LT-26A | 2*6P | 10.00 | 14.00 | 13.00 |
| WAFER-PHB200-LT-27A | 2*7P | 12.00 | 16.00 | 15.00 |
| WAFER-PHB200-LT-28A | 2*8P | 14.00 | 18.00 | 17.00 |
| WAFER-PHB200-LT-29A | 2*9P | 16.00 | 20.00 | 19.00 |
| WAFER-PHB200-LT-210A | 2*10P | 18.00 | 22.00 | 21.00 |
| WAFER-PHB200-LT-211A | 2*11P | 20.00 | 24.00 | 23.00 |
| WAFER-PHB200-LT-212A | 2*12P | 22.00 | 26.00 | 25.00 |
| WAFER-PHB200-LT-213A | 2*13P | 24.00 | 28.00 | 27.00 |
| WAFER-PHB200-LT-214A | 2*14P | 26.00 | 30.00 | 29.00 |
| WAFER-PHB200-LT-215A | 2*15P | 28.00 | 32.00 | 31.00 |

UNLESS OTHERWISE SPECIFIED TOLERANCES



东莞市汉博电子科技有限公司
 DONGGUAN HANBO TECHNOLOGY CO., LTD

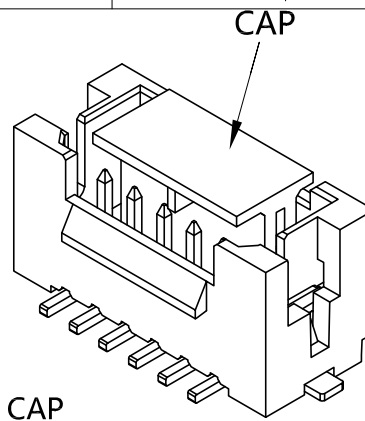
DECIMALS: X :±0.20 X.X :±0.10 X.XX :±0.05
 ANGLES: X :±2° X.X :±1°

| | | | |
|-------|-----------------------------|-----------|---------------------|
| TITLE | WAFER PHB 2.0 双排贴片 SMT TYPE | | |
| DWN | xiong | PART NO. | WAFER-PHB200-LT-2NA |
| CHKD | lee | SCALE:1:1 | UNIT: mm |
| APVD | wang | SIZE: A4 | SHEET:10F 1 |

CUSTOMER COPY



| | | | |
|------|-----------------------|---------|------|
| REV. | ECN NO OR DESCRIPTION | REVISED | DATE |
| | | | |

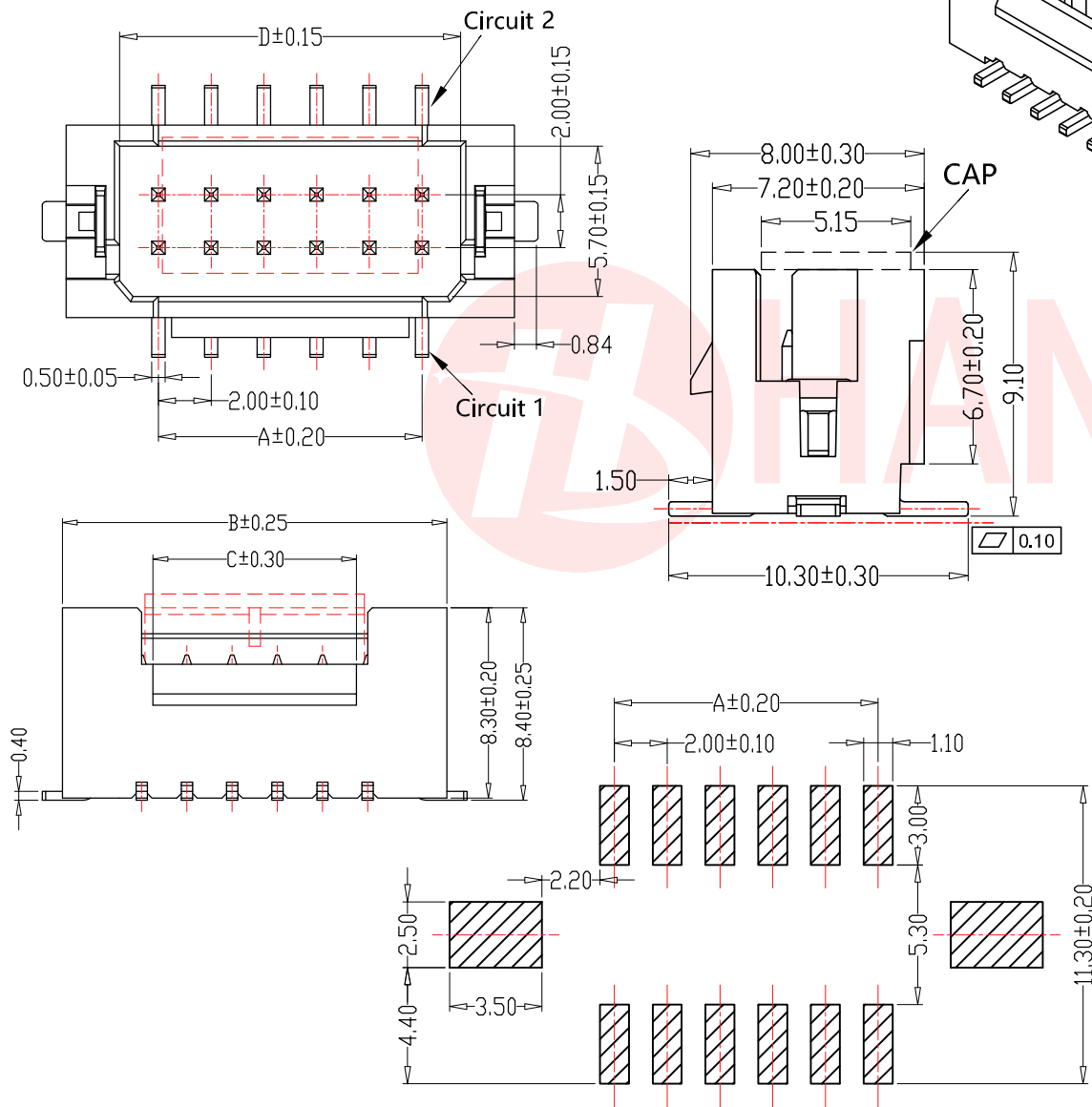


SPECIFICATIONS

- 1、Current Rating: 3A AC, DC
- 2、Voltage Rating: 250V AC, DC
- 3、Temperatuer Range: -25°C ~ +85°C
- 4、Contact Resistance: 20mΩ Max
- 5、Insulation Resistance: 1000MΩ Min
- 6、Withstanding Voltang: 800V AC/minute
- 7、Material: Wafer LCP, UL94V-0
PIN Brass Tin-plated

TABLE:

| CSG PART NO. | PIN位 | A | B | C | D |
|----------------------|-------|-------|-------|-------|-------|
| WAFER-PHB200LT-B-2A | 2PIN | 2.00 | 9.00 | 3.00 | 4.90 |
| WAFER-PHB200LT-B-3A | 3PIN | 4.00 | 11.00 | 3.00 | 6.90 |
| WAFER-PHB200LT-B-4A | 4PIN | 6.00 | 13.00 | 3.00 | 8.90 |
| WAFER-PHB200LT-B-5A | 5PIN | 8.00 | 15.00 | 5.00 | 10.90 |
| WAFER-PHB200LT-B-6A | 6PIN | 10.00 | 17.00 | 7.00 | 12.90 |
| WAFER-PHB200LT-B-7A | 7PIN | 12.00 | 19.00 | 9.00 | 14.90 |
| WAFER-PHB200LT-B-8A | 8PIN | 14.00 | 21.00 | 11.00 | 16.90 |
| WAFER-PHB200LT-B-9A | 9PIN | 16.00 | 23.00 | 13.00 | 18.90 |
| WAFER-PHB200LT-B-10A | 10PIN | 18.00 | 25.00 | 15.00 | 20.90 |
| WAFER-PHB200LT-B-11A | 11PIN | 20.00 | 27.00 | 17.00 | 22.90 |
| WAFER-PHB200LT-B-12A | 12PIN | 22.00 | 29.00 | 19.00 | 24.90 |
| WAFER-PHB200LT-B-20A | 20PIN | 38.00 | 45.00 | 35.00 | 40.90 |



PCB LAYOUT

| | | | | | |
|---------------------------------------|----------|---|-------|------------------------------|--------------|
| UNLESS OTHERWISE SPECIFIED TOLERANCES | | 东莞市汉博电子科技有限公司 DONGGUAN HANBO TECHNOLOGY CO., LTD | | | |
| DECIMALS: | ANGLES: | TITLE: WAFER PHB 2.00双头带焊片立贴 | | | |
| X :±0.20 | X :±2° | DWN | xiong | PART NO. WAFER-PHB200LT-B-NA | |
| X.X :±0.10 | X.X :±1° | CHKD | lee | SCALE: 1:1 | UNIT: mm |
| X.XX :±0.05 | | APVD | wang | SIZE: A4 | SHEET: 10F 1 |
| | | REV: A4 | | | |
| CUSTOMER COPY | | | | | |

X-ON Electronics

Largest Supplier of Electrical and Electronic Components

Click to view similar products for [Headers & Wire Housings](#) category:

Click to view products by [Hanbo Electronic](#) manufacturer:

Other Similar products are found below :

[0015917161](#) [0022155065](#) [57102-F02-18ULF](#) [58102-G61-06LF](#) [582553-1](#) [01.001.5753.1](#) [0050291907](#) [02.125.8002.8](#) [609-3404](#) [61062-3](#)
[CSU011177004](#) [622-0430](#) [622-3653LF](#) [63453-116](#) [636-1030](#) [636-1427](#) [636-3427](#) [636-4007](#) [641938-9](#) [65495-038](#) [65692-001LF](#) [65781-018](#)
[65781-047](#) [65817-010LF](#) [65817-015LF](#) [67095-007LF](#) [67601157](#) [68631-112](#) [68645-018](#) [699319-000](#) [70.362.1628.0](#) [70-4210](#) [70-4226B](#) [70-](#)
[4853B](#) [71.350.2428.0](#) [733-134](#) [733-162](#) [MHR-64-VUAL](#) [80.063.4001.1](#) [800-90-001-10-001000](#) [801-43-002-10-013000](#) [801-43-006-10-](#)
[002000](#) [803-43-024-10-001000](#) [803-93-012-10-001000](#) [8-1437020-4](#) [819-22-004-30-001101](#) [820-22-006-30-001101](#) [820-22-008-30-001101](#)
[821-22-002-10-001101](#) [821-22-003-10-002101](#)