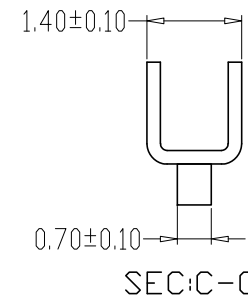
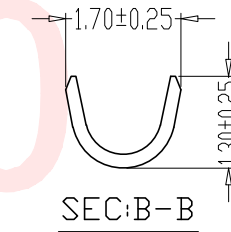
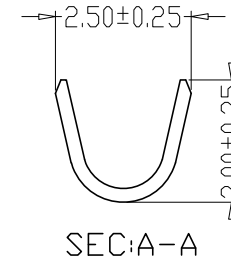
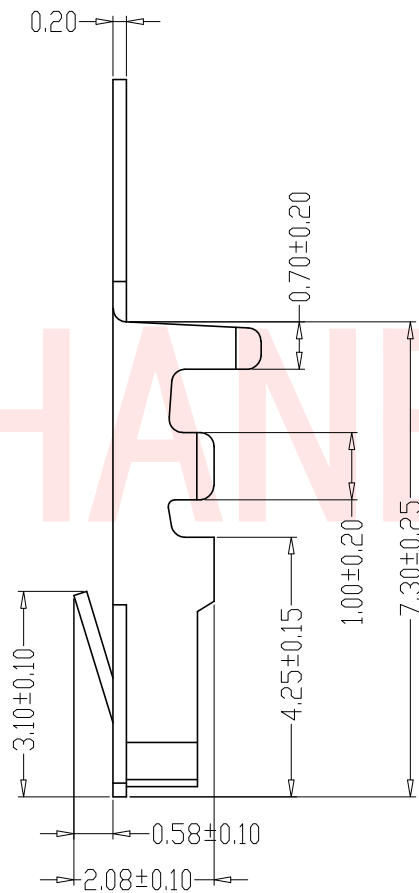
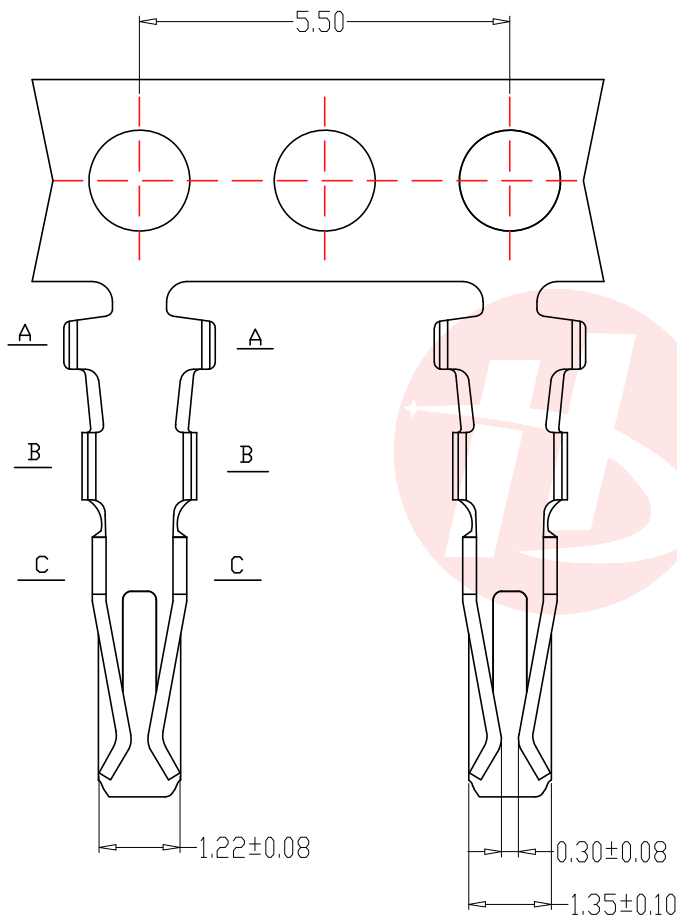




REV.	ECN NO OR DESCRIPTION	REVISED	DATE



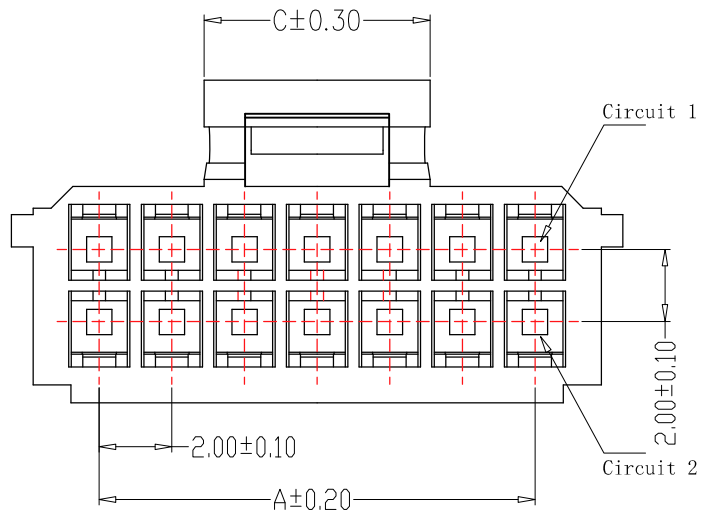
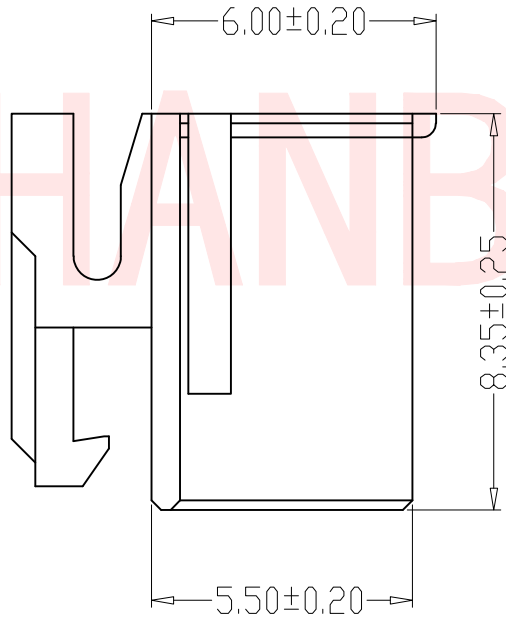
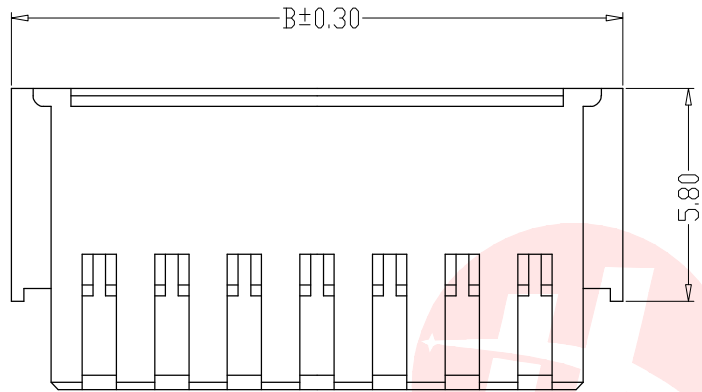
**SPECIFICATIONS**

- 1、Current Rating: 3A AC, DC
- 2、Voltage Rating: 250V AC, DC
- 3、Temperatuer Range: -25°C~+85°C
- 4、Contact Resistance: 20mΩ Max
- 5、Insulation Resistance: 1000MΩ Min
- 6、Withstanding Voltang: 800V AC/minute
- 7、Material:Phosphoric bronze Tin-plated
- 8、Applicable Wire Sizes:AWG#22~28#

UNLESS OTHERWISE SPECIFED TOLERANCES		东莞市汉博电子科技有限公司 DONGGUAN HANBO TECHNOLOGY CO., LTD			
DECIMALS:	ANGLES:	TITLE	WAFER PHB 2.00端子		
X :±0.20	X :±2°	DWN	xiong	PART NO. WAFER-PHB200DZ	
X.X :±0.10	X.X :±1°	CHKD	lee	SCALE:1:1	UNIT: mm
X.XX :±0.05		APVD	wang	SIZE: A4	SHEET:10F 1
		REV: A4			
CUSTOMER COPY					



REV.	ECN NO OR DESCRIPTION	REVISED	DATE



### SPECIFICATIONS

- 1、Current Rating: 3A AC, DC
- 2、Voltage Rating: 250V AC, DC
- 3、Temperatuer Range: -25°C~+85°C
- 4、Contact Resistance: 20mΩ Max
- 5、Insulation Resistance: 1000 MΩ Min
- 6、Withstanding Voltang: 800V AC/minute
- 7、Material:Nylon66, UL94V-0

TABLE:

CSG PART NO.	PIN位	A	B	C
WAFER-PHB200JK-2A	2PIN	2.00	6.70	3.00
WAFER-PHB200JK-3A	3PIN	4.00	8.70	3.00
WAFER-PHB200JK-4A	4PIN	6.00	10.70	4.90
WAFER-PHB200JK-5A	5PIN	8.00	12.70	6.30
WAFER-PHB200JK-6A	6PIN	10.00	14.70	8.30
WAFER-PHB200JK-7A	7PIN	12.00	16.70	8.30
WAFER-PHB200JK-8A	8PIN	14.00	18.70	8.30
WAFER-PHB200JK-9A	9PIN	16.00	20.70	12.30
WAFER-PHB200JK-10A	10PIN	18.00	22.70	12.30
WAFER-PHB200JK-11A	11PIN	20.00	24.70	12.30
WAFER-PHB200JK-12A	12PIN	22.00	26.70	12.30
WAFER-PHB200JK-20A	20PIN	38.00	42.70	16.30

UNLESS OTHERWISE SPECIFIED TOLERANCES

DECIMALS: ANGLES:  
 X :±0.20 X :±2°  
 X.X :±0.10 X.X :±1°  
 X.XX :±0.05

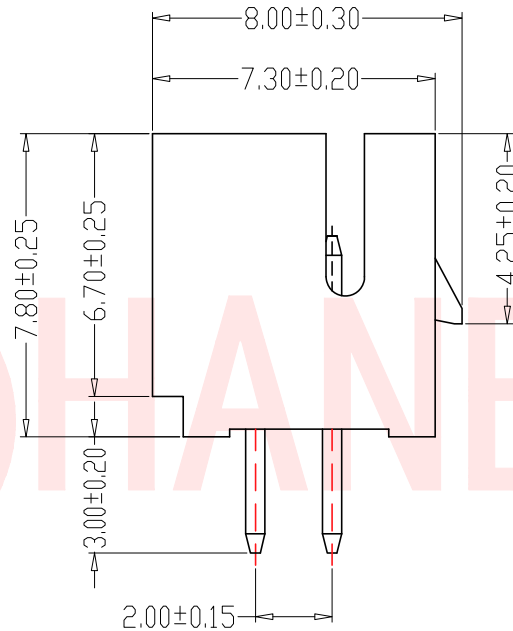
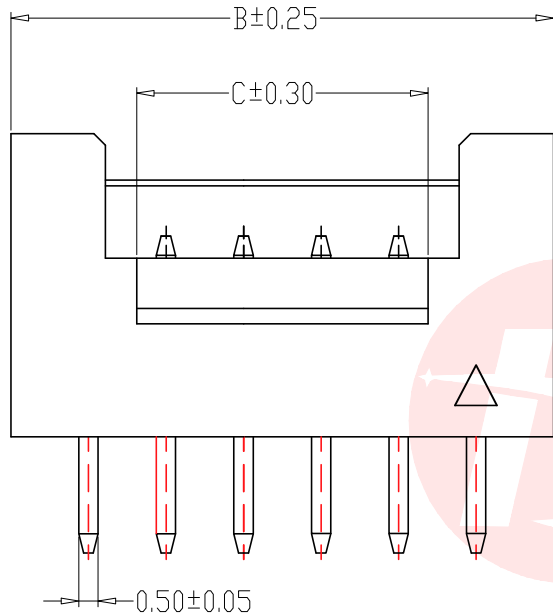


东莞市汉博电子科技有限公司  
 DONGGUAN HANBO TECHNOLOGY CO., LTD

TITLE	WAFER PHB 2.00胶壳		
DWN	xiong	PART NO. WAFER-PHB200JK-NA	
CHKD	lee	SCALE:1:1	UNIT: mm
APVD	wang	SIZE: A4	SHEET:10F 1
REV: A4			
CUSTOMER COPY			



REV.	ECN NO OR DESCRIPTION	REVISED	DATE

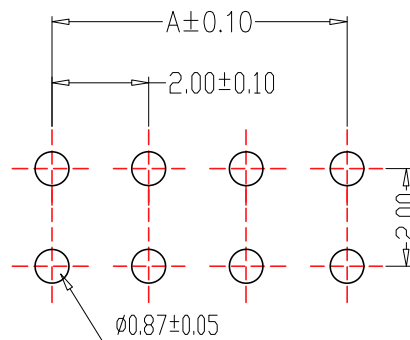
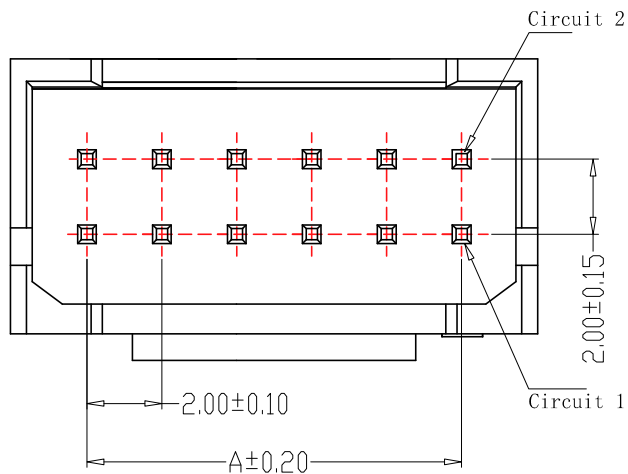


**SPECIFICATIONS**

- 1、Current Rating: 3A AC, DC
- 2、Voltage Rating: 250V AC, DC
- 3、Temperatuer Range: -25℃~+85℃
- 4、Contact Resistance: 20mΩ Max
- 5、Insulation Resistance: 1000MΩ Min
- 6、Withstanding Voltang: 800V AC/minute
- 7、Material: Wafer Nylon66, UL94V-0  
PIN Brass Tin-plated

TABLE:

CSG PART NO.	PIN位	A	B	C
WAFER-PHB200ZZ-2A	2PIN	2.00	6.00	3.00
WAFER-PHB200ZZ-3A	3PIN	4.00	8.00	3.00
WAFER-PHB200ZZ-4A	4PIN	6.00	10.00	3.00
WAFER-PHB200ZZ-5A	5PIN	8.00	12.00	5.00
WAFER-PHB200ZZ-6A	6PIN	10.00	14.00	7.00
WAFER-PHB200ZZ-7A	7PIN	12.00	16.00	9.00
WAFER-PHB200ZZ-8A	8PIN	14.00	18.00	11.00
WAFER-PHB200ZZ-9A	9PIN	16.00	20.00	13.00
WAFER-PHB200ZZ-10A	10PIN	18.00	22.00	15.00
WAFER-PHB200ZZ-11A	11PIN	20.00	24.00	17.00
WAFER-PHB200ZZ-12A	12PIN	22.00	26.00	19.00
WAFER-PHB200ZZ-20A	20PIN	38.00	42.00	35.00



**PCB LAYOUT**

UNLESS OTHERWISE SPECIFIED TOLERANCES

DECIMALS: ANGLES:  
 X :±0.20 X :±2°  
 X.X :±0.10 X.X :±1°  
 X.XX :±0.05



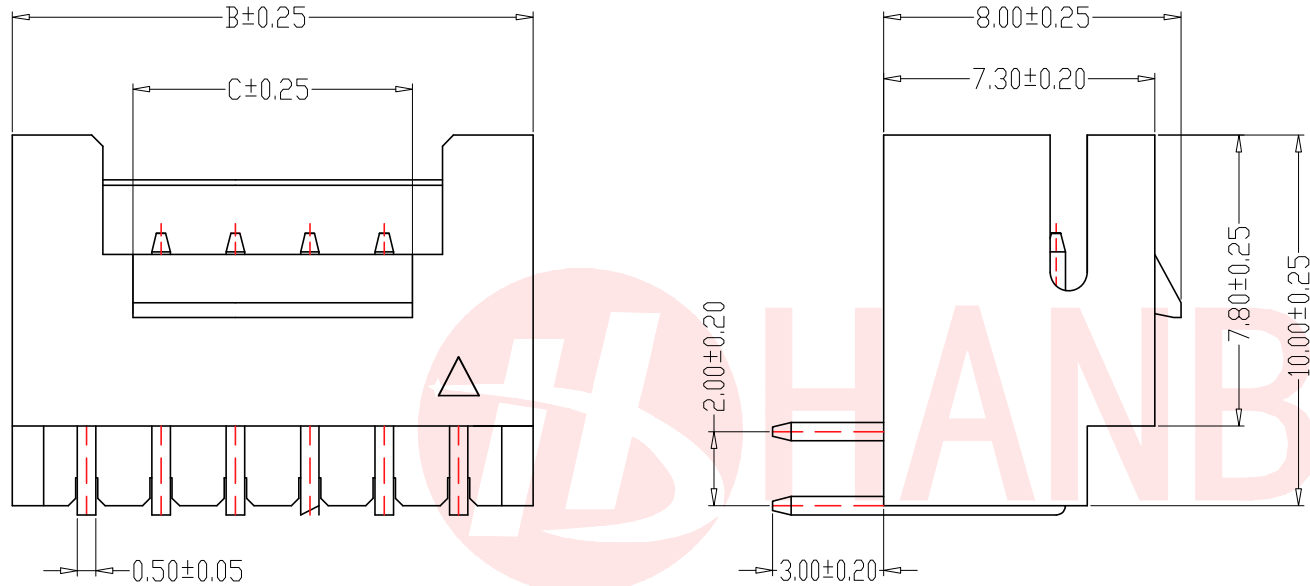
东莞市汉博电子科技有限公司  
 DONGGUAN HANBO TECHNOLOGY CO., LTD

TITLE	WAFER PHB 2.00直针		
DWN	xiong	PART NO. WAFER-PHB200ZZ-NA	
CHKD	lee	SCALE:1:1	UNIT: mm
APVD	wang	SIZE: A4	SHEET:10F 1
REV: A4			

CUSTOMER COPY



REV.	ECN NO OR DESCRIPTION	REVISED	DATE

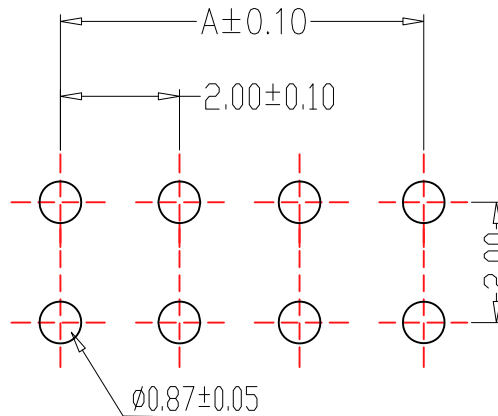
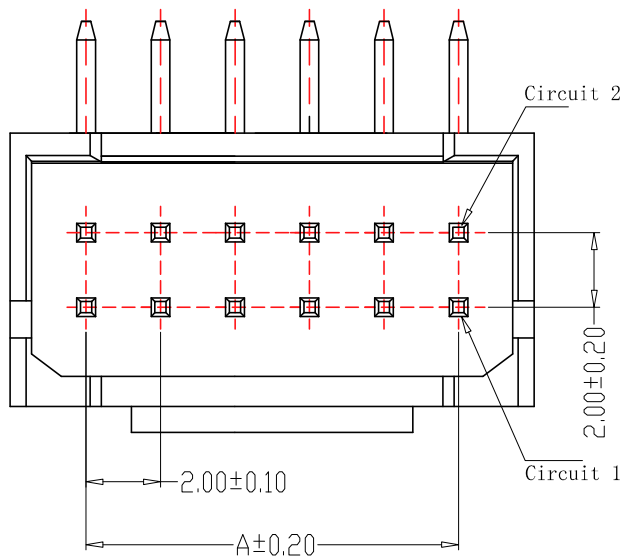


**SPECIFICATIONS**

- 1、Current Rating: 3A AC, DC
- 2、Voltage Rating: 250V AC, DC
- 3、Temperatuer Range: -25°C ~ +85°C
- 4、Contact Resistance: 20mΩ Max
- 5、Insulation Resistance: 1000MΩ Min
- 6、Withstanding Voltang: 800V AC/minute
- 7、Material: Wafer Nylon66, UL94V-0  
PIN Brass Tin-plated

TABLE:

CSG PART NO.	PIN位	A	B	C
WAFER-PHB200WZ-2A	2PIN	2.00	6.00	3.00
WAFER-PHB200WZ-3A	3PIN	4.00	8.00	3.00
WAFER-PHB200WZ-4A	4PIN	6.00	10.00	3.00
WAFER-PHB200WZ-5A	5PIN	8.00	12.00	5.00
WAFER-PHB200WZ-6A	6PIN	10.00	14.00	7.00
WAFER-PHB200WZ-7A	7PIN	12.00	16.00	9.00
WAFER-PHB200WZ-8A	8PIN	14.00	18.00	11.00
WAFER-PHB200WZ-9A	9PIN	16.00	20.00	13.00
WAFER-PHB200WZ-10A	10PIN	18.00	22.00	15.00
WAFER-PHB200WZ-11A	11PIN	20.00	24.00	17.00
WAFER-PHB200WZ-12A	12PIN	22.00	26.00	19.00
WAFER-PHB200WZ-20A	20PIN	38.00	42.00	35.00



**PCB LAYOUT**

UNLESS OTHERWISE SPECIFIED TOLERANCES

DECIMALS:	ANGLES:
X :±0.20	X :±2°
X.X :±0.10	X.X :±1°
X.XX :±0.05	



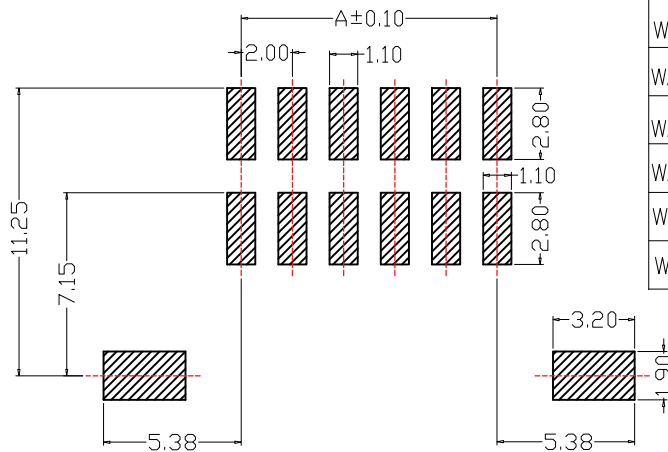
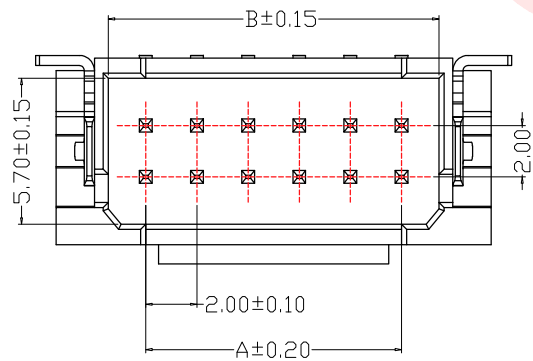
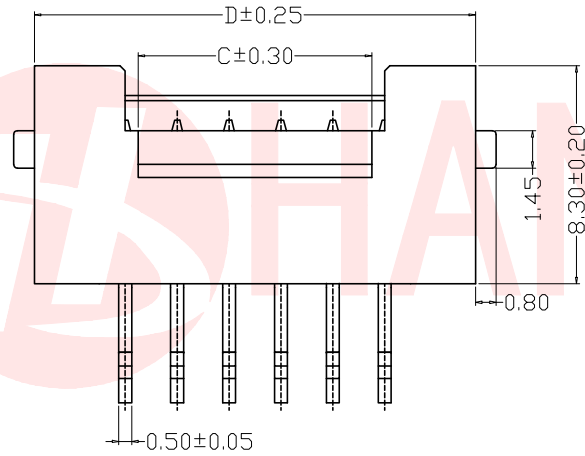
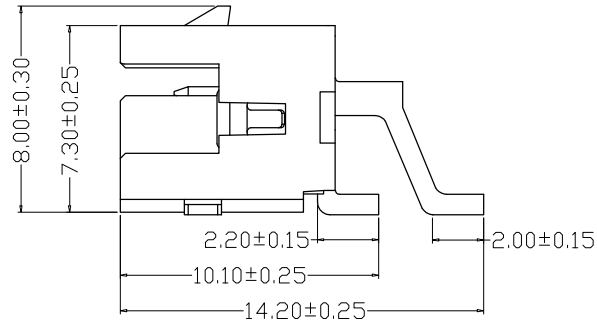
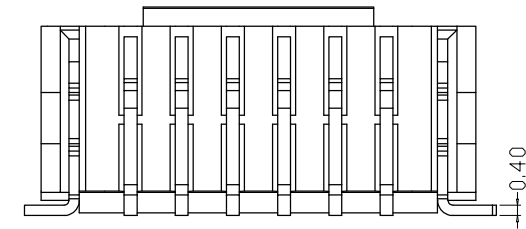
东莞市汉博电子科技有限公司  
DONGGUAN HANBO TECHNOLOGY CO., LTD

TITLE	WAFER PHB 2.00弯针		
DWN	xiong	PART NO. WAFER-PHB200WZ-NA	
CHKD	lee	SCALE:1:1	UNIT: mm
APVD	wang	SIZE: A4	SHEET:10F 1
			REV: A4

CUSTOMER COPY



REV.	ECN NO OR DESCRIPTION	REVISED	DATE



**PCB LAYOUT**

**SPECIFICATIONS**

- 1、Current Rating: 3A AC, DC
- 2、Voltage Rating: 250V AC, DC
- 3、Temperatuer Range: -25℃~+85℃
- 4、Contact Resistance: 20mΩ Max
- 5、Insulation Resistance: 1000MΩ Min
- 6、Withstanding Voltang: 800V AC/minute
- 7、Material: Wafer LCP, UL94V-0  
PIN Brass Tin-plated

**TABLE:**

CSG PART NO.	PIN位	A	B	C	D
WAFER-PHB200WT-2A	2PIN	2.00	4.90	3.00	9.00
WAFER-PHB200WT-3A	3PIN	4.00	6.90	3.00	11.00
WAFER-PHB200WT-4A	4PIN	6.00	8.90	3.00	13.00
WAFER-PHB200WT-5A	5PIN	8.00	10.90	5.00	15.00
WAFER-PHB200WT-6A	6PIN	10.00	12.90	7.00	17.00
WAFER-PHB200WT-7A	7PIN	12.00	14.90	9.00	19.00
WAFER-PHB200WT-8A	8PIN	14.00	16.90	11.00	21.00
WAFER-PHB200WT-9A	9PIN	16.00	18.90	13.00	23.00
WAFER-PHB200WT-10A	10PIN	18.00	20.90	15.00	25.00
WAFER-PHB200WT-11A	11PIN	20.00	22.90	17.00	27.00
WAFER-PHB200WT-12A	12PIN	22.00	24.90	19.00	29.00
WAFER-PHB200WT-20A	20PIN	38.00	40.90	35.00	45.00

UNLESS OTHERWISE SPECIFIED TOLERANCES

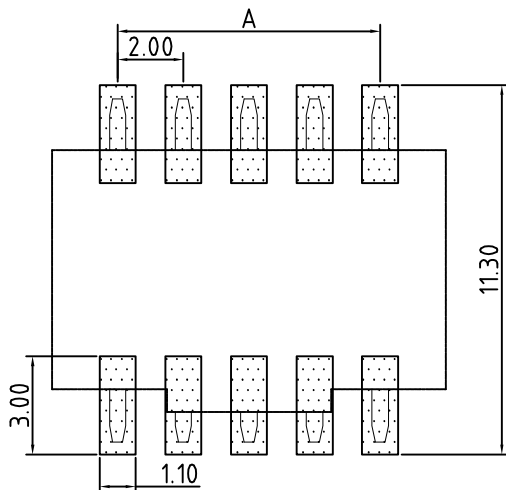
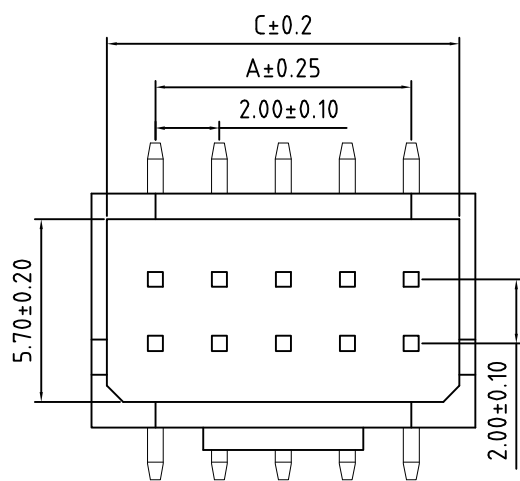
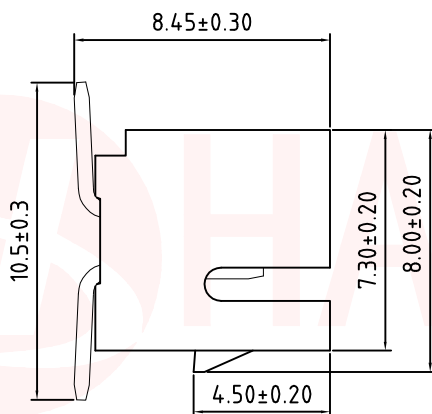
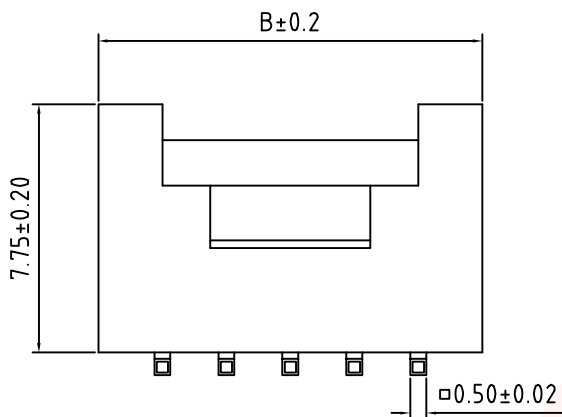
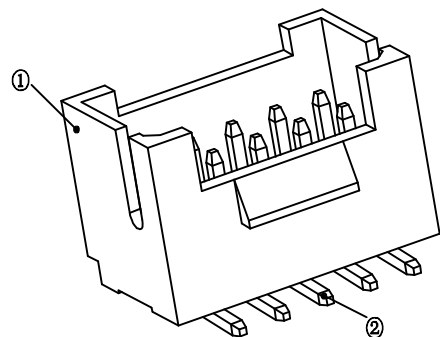
DECIMALS: ANGLES:  
 X :±0.20 X :±2°  
 X.X :±0.10 X.X :±1°  
 X.XX :±0.05



东莞市汉博电子科技有限公司  
 DONGGUAN HANBO TECHNOLOGY CO., LTD

TITLE	WAFER PHB 2.00双头带焊片卧贴			
DWN	xiong	PART NO. WAFER-PHB200WT-NA		
CHKD	lee	SCALE:1:1	UNIT: mm	
APVD	wang	SIZE: A4	SHEET:10F 1	REV: A4

CUSTOMER COPY



REV.	ECN NO OR DESCRIPTION	REVISED	DATE

技术参数

间距: 2.0  
 温度范围: -25~+85°C  
 额定电压: 250V AC, DC  
 额定电流: 2.0A AC, DC  
 接触电阻: ≤20mΩ  
 绝缘电阻: 800MΩ  
 耐压: 500V AC/minute  
 塑座: PA46 本色  
 接触针: 黄铜 (镀锡)

TABLE:

CSG PART NO.	Dimension mm			
	PIN	A	B	C
WAFER-PHB200-LT-22A	2*2P	2.00	6.00	5.00
WAFER-PHB200-LT-23A	2*3P	4.00	8.00	7.00
WAFER-PHB200-LT-24A	2*4P	6.00	10.00	9.00
WAFER-PHB200-LT-25A	2*5P	8.00	12.00	11.00
WAFER-PHB200-LT-26A	2*6P	10.00	14.00	13.00
WAFER-PHB200-LT-27A	2*7P	12.00	16.00	15.00
WAFER-PHB200-LT-28A	2*8P	14.00	18.00	17.00
WAFER-PHB200-LT-29A	2*9P	16.00	20.00	19.00
WAFER-PHB200-LT-210A	2*10P	18.00	22.00	21.00
WAFER-PHB200-LT-211A	2*11P	20.00	24.00	23.00
WAFER-PHB200-LT-212A	2*12P	22.00	26.00	25.00
WAFER-PHB200-LT-213A	2*13P	24.00	28.00	27.00
WAFER-PHB200-LT-214A	2*14P	26.00	30.00	29.00
WAFER-PHB200-LT-215A	2*15P	28.00	32.00	31.00

UNLESS OTHERWISE SPECIFIED TOLERANCES

DECIMALS: X ±0.20 X.X ±0.10 X.XX ±0.05  
 ANGLES: X ±2° X.X ±1°



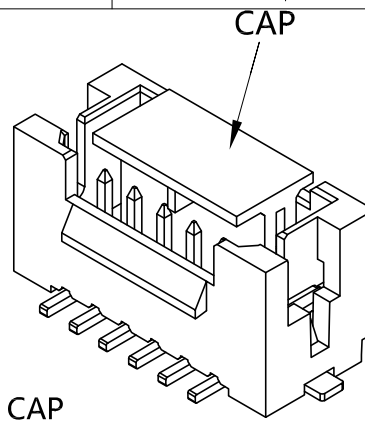
东莞市汉博电子科技有限公司  
 DONGGUAN HANBO TECHNOLOGY CO., LTD

TITLE	WAFER PHB 2.0 双排贴片 SMT TYPE		
DWN	xiong	PART NO.	WAFER-PHB200-LT-2NA
CHKD	lee	SCALE:1:1	UNIT: mm
APVD	wang	SIZE: A4	SHEET:10F 1

CUSTOMER COPY



REV.	ECN NO OR DESCRIPTION	REVISED	DATE

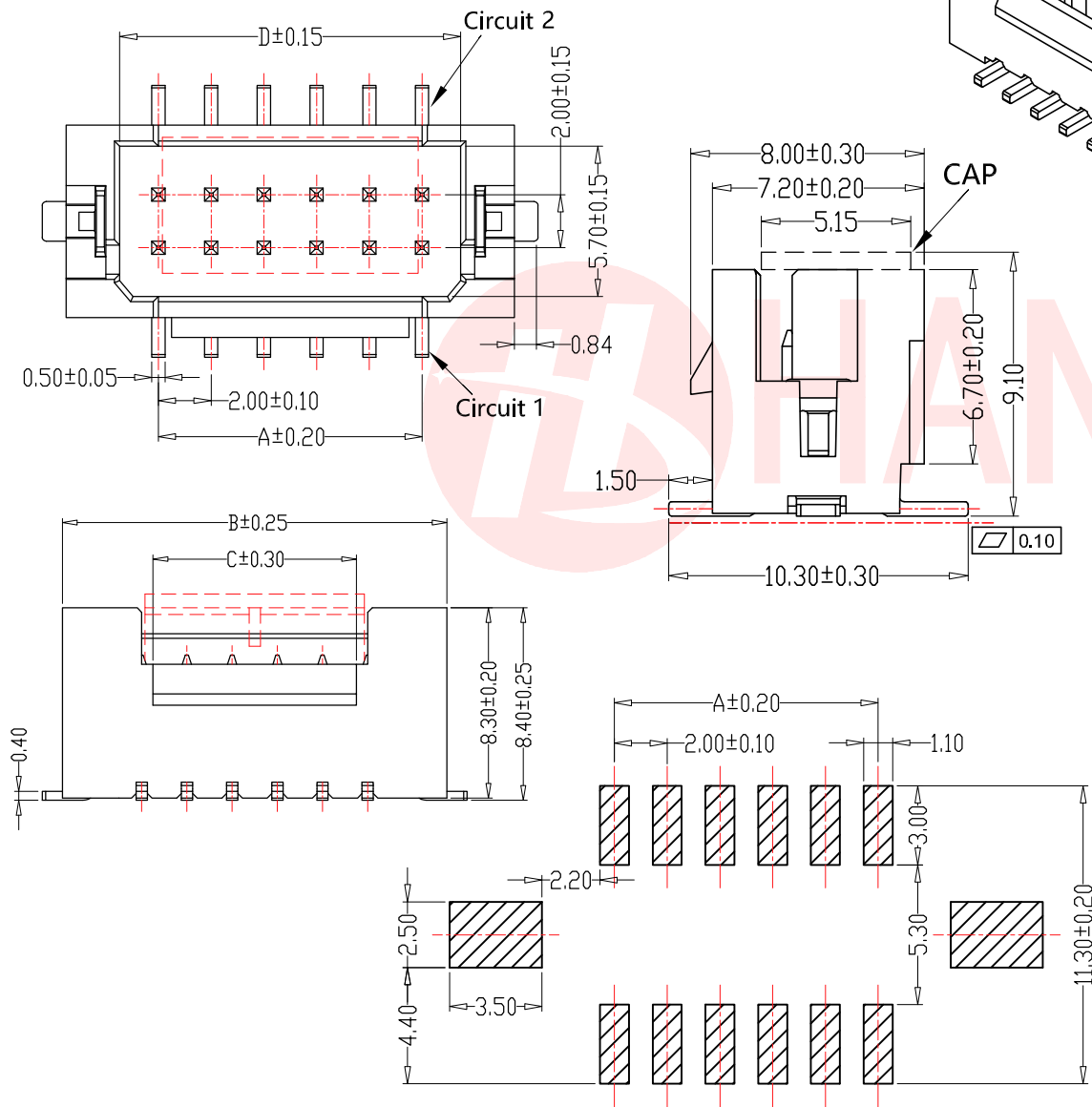


**SPECIFICATIONS**

- 1、Current Rating: 3A AC, DC
- 2、Voltage Rating: 250V AC, DC
- 3、Temperatuer Range: -25°C ~ +85°C
- 4、Contact Resistance: 20mΩ Max
- 5、Insulation Resistance: 1000MΩ Min
- 6、Withstanding Voltang: 800V AC/minute
- 7、Material: Wafer LCP, UL94V-0  
PIN Brass Tin-plated

**TABLE:**

CSG PART NO.	PIN位	A	B	C	D
WAFER-PHB200LT-B-2A	2PIN	2.00	9.00	3.00	4.90
WAFER-PHB200LT-B-3A	3PIN	4.00	11.00	3.00	6.90
WAFER-PHB200LT-B-4A	4PIN	6.00	13.00	3.00	8.90
WAFER-PHB200LT-B-5A	5PIN	8.00	15.00	5.00	10.90
WAFER-PHB200LT-B-6A	6PIN	10.00	17.00	7.00	12.90
WAFER-PHB200LT-B-7A	7PIN	12.00	19.00	9.00	14.90
WAFER-PHB200LT-B-8A	8PIN	14.00	21.00	11.00	16.90
WAFER-PHB200LT-B-9A	9PIN	16.00	23.00	13.00	18.90
WAFER-PHB200LT-B-10A	10PIN	18.00	25.00	15.00	20.90
WAFER-PHB200LT-B-11A	11PIN	20.00	27.00	17.00	22.90
WAFER-PHB200LT-B-12A	12PIN	22.00	29.00	19.00	24.90
WAFER-PHB200LT-B-20A	20PIN	38.00	45.00	35.00	40.90



**PCB LAYOUT**

UNLESS OTHERWISE SPECIFIED TOLERANCES		东莞市汉博电子科技有限公司 DONGGUAN HANBO TECHNOLOGY CO., LTD			
DECIMALS:	ANGLES:	TITLE: WAFER PHB 2.00双头带焊片立贴			
X :±0.20	X :±2°	DWN	xiong	PART NO. WAFER-PHB200LT-B-NA	
X.X :±0.10	X.X :±1°	CHKD	lee	SCALE: 1:1	UNIT: mm
X.XX :±0.05		APVD	wang	SIZE: A4	SHEET: 10F 1
CUSTOMER COPY					

## X-ON Electronics

Largest Supplier of Electrical and Electronic Components

*Click to view similar products for [Headers & Wire Housings](#) category:*

*Click to view products by [Hanbo Electronic](#) manufacturer:*

Other Similar products are found below :

[0015917161](#) [0022155065](#) [57102-F02-18ULF](#) [58102-G61-06LF](#) [582553-1](#) [01.001.5753.1](#) [0050291907](#) [02.125.8002.8](#) [609-3404](#) [61062-3](#)  
[CSU011177004](#) [622-0430](#) [622-3653LF](#) [63453-116](#) [636-1030](#) [636-1427](#) [636-3427](#) [636-4007](#) [641938-9](#) [65495-038](#) [65692-001LF](#) [65781-018](#)  
[65781-047](#) [65817-010LF](#) [65817-015LF](#) [67095-007LF](#) [67601157](#) [68631-112](#) [68645-018](#) [699319-000](#) [70.362.1628.0](#) [70-4210](#) [70-4226B](#) [70-](#)  
[4853B](#) [71.350.2428.0](#) [733-134](#) [733-162](#) [MHR-64-VUAL](#) [80.063.4001.1](#) [800-90-001-10-001000](#) [801-43-002-10-013000](#) [801-43-006-10-](#)  
[002000](#) [803-43-024-10-001000](#) [803-93-012-10-001000](#) [8-1437020-4](#) [819-22-004-30-001101](#) [820-22-006-30-001101](#) [820-22-008-30-001101](#)  
[821-22-002-10-001101](#) [821-22-003-10-002101](#)