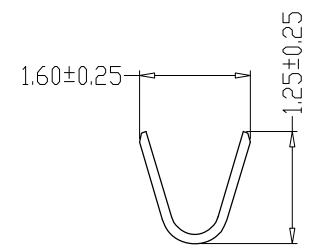
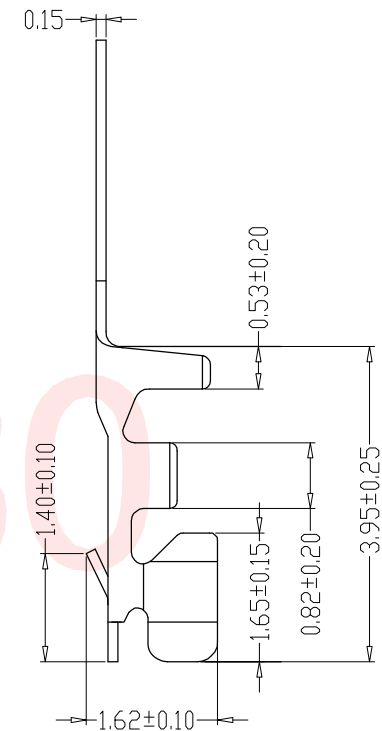
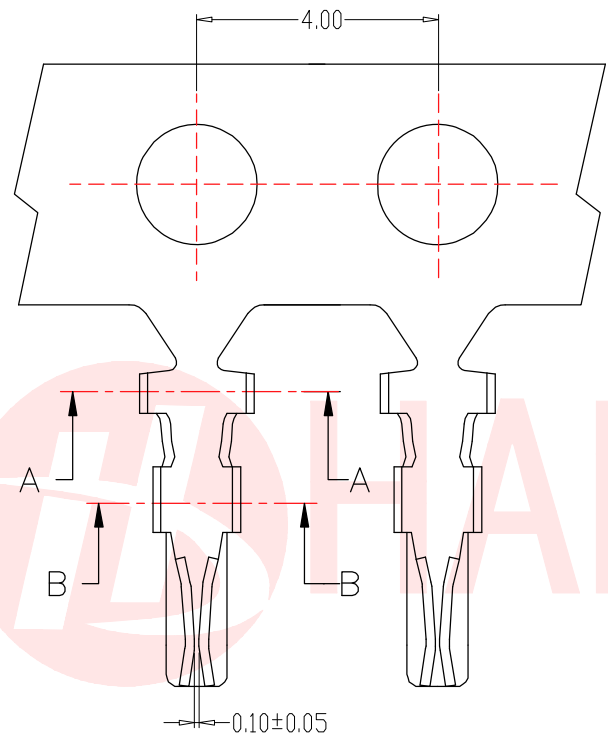
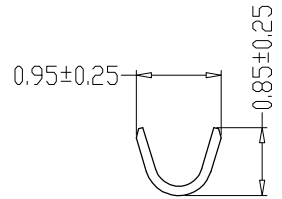




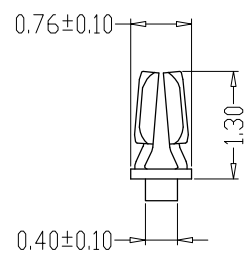
REV.	ECN NO OR DESCRIPTION	REVISED	DATE



SEC:A-A



SEC:B-B



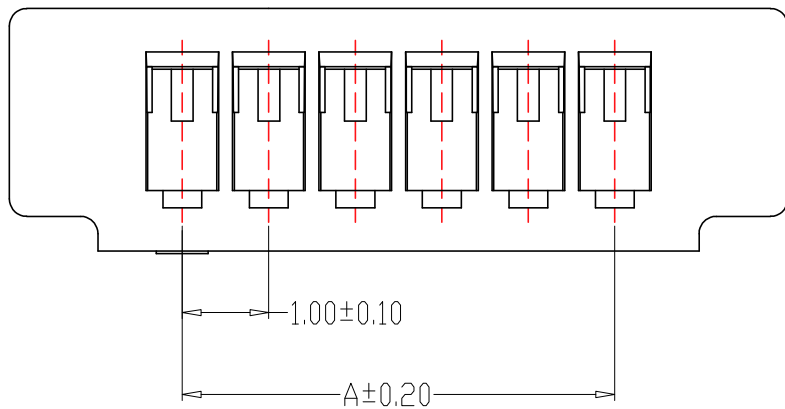
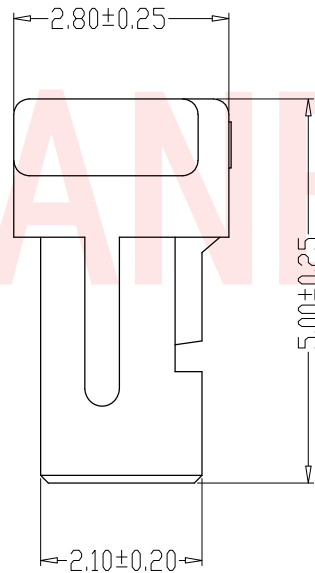
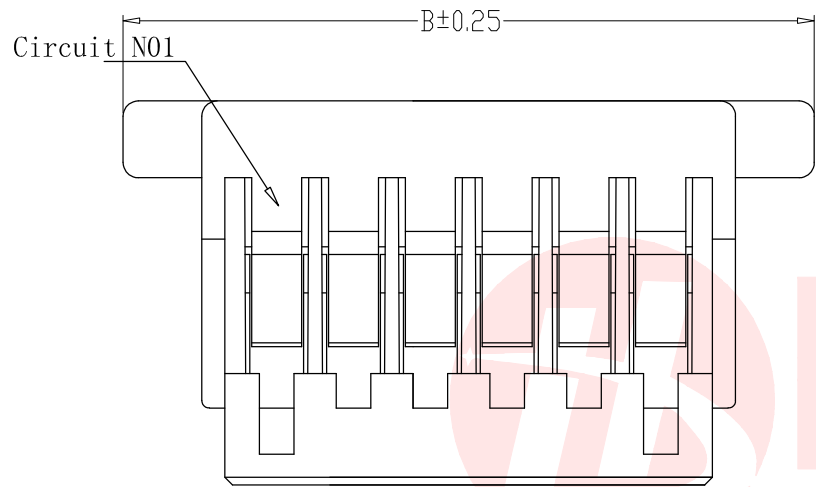
SPECIFICATIONS

- 1、Current Rating: 1A AC, DC
- 2、Voltage Rating: 50V AC, DC
- 3、Temperatuer Range: -25°C~+85°C
- 4、Contact Resistance: 20mΩ Max
- 5、Insulation Resistance: 100MΩ Min
- 6、Withstanding Voltang: 500V AC/minute
- 7、Material:Phosphoric bronze Tin-plated
- 8、Applicable Wire Sizes:AWG#28~32#

UNLESS OTHERWISE SPECIFED TOLERANCES		东莞市汉博电子科技有限公司 DONGGUAN HANBO TECHNOLOGY CO., LTD			
DECIMALS:	ANGLES:	TITLE	WAFER SH 1.00 端子		
X :±0.20	X :±2°	DWN	xiong	PART NO. WAFER-SH100DZ	
X.X :±0.10	X.X :±1°	CHKD	lee	SCALE:1:1	UNIT: mm
X.XX :±0.05		APVD	wang	SIZE: A4	SHEET:10F 1
		REV: A4			
CUSTOMER COPY					



REV.	ECN NO OR DESCRIPTION	REVISED	DATE



SPECIFICATIONS

- 1、Current Rating: 1A AC, DC
- 2、Voltage Rating: 50V AC, DC
- 3、Temperatuer Range: -25°C~+85°C
- 4、Contact Resistance: 20mΩ Max
- 5、Insulation Resistance: 100MΩ Min
- 6、Withstanding Voltang: 500V AC/minute
- 7、Material:PBT, UL94V-0

CSG PART NO.	尺寸 (mm)	
	A	B
WAFER-SH100JK-2A	1.00	5.00
WAFER-SH100JK-3A	2.00	6.00
WAFER-SH100JK-4A	3.00	7.00
WAFER-SH100JK-5A	4.00	8.00
WAFER-SH100JK-6A	5.00	9.00
WAFER-SH100JK-7A	6.00	10.00
WAFER-SH100JK-8A	7.00	11.00
WAFER-SH100JK-9A	8.00	12.00
WAFER-SH100JK-10A	9.00	13.00
WAFER-SH100JK-11A	10.00	14.00
WAFER-SH100JK-12A	11.00	15.00
WAFER-SH100JK-20A	19.00	23.00

UNLESS OTHERWISE SPECIFIED TOLERANCES

DECIMALS: ANGLES:
 X :±0.20 X :±2°
 X.X :±0.10 X.X :±1°
 X.XX :±0.05



东莞市汉博电子科技有限公司
 DONGGUAN HANBO TECHNOLOGY CO., LTD

TITLE	WAFER SH 1.00 胶壳		
DWN	xiong	PART NO. WAFER-SH100JK-NA	
CHKD	lee	SCALE:1:1	UNIT: mm
APVD	wang	SIZE: A4	SHEET:10F 1
REV: A4			

CUSTOMER COPY

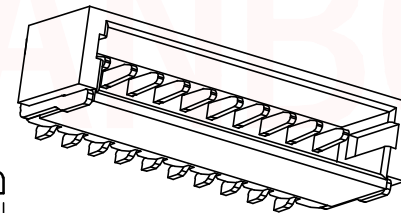
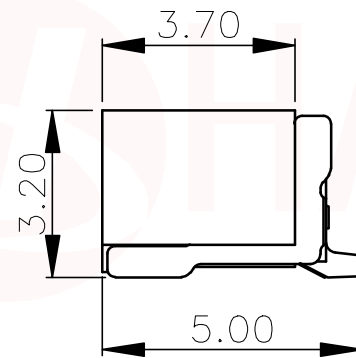
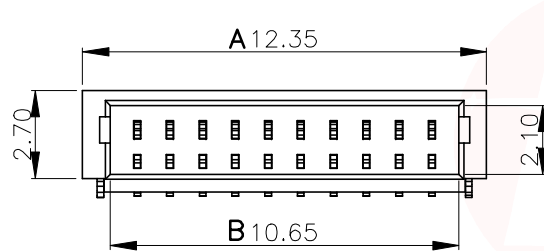
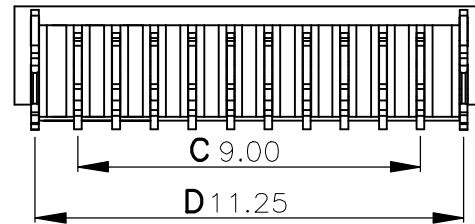
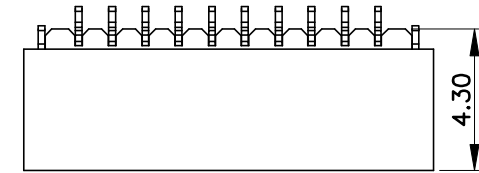


REV.	ECN NO OR DESCRIPTION	REVISED	DATE

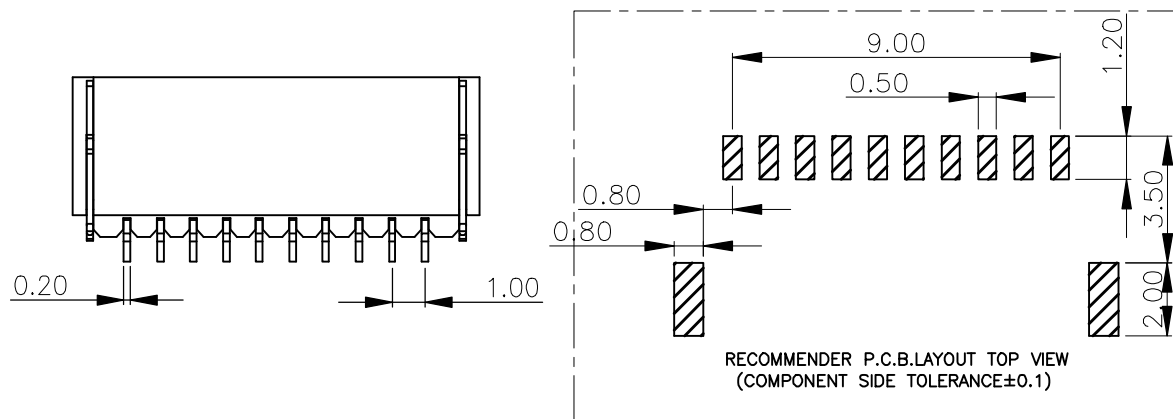
Specifications:

1. Rated Voltage : 125V AC/DC
2. Rated Current : 1A AC,DC
3. Withstand Voltage : 200V AC/minute
4. Contact Resistance : 50mΩ(MAX.)
5. Insulation Resistance : 100MΩ(MIN.)
6. Storage Temperature Range: -40°C~+85°C;
7. Operation Temperature Range: -25°C~+70°C;

PIN数	A±0.1	B±0.1	C±0.1	D±0.1
2A	4.35	2.65	1.00	3.25
3A	5.35	3.65	2.00	4.25
4A	6.35	4.65	3.00	5.25
5A	7.35	5.65	4.00	6.25
6A	8.35	6.65	5.00	7.25
7A	9.35	7.65	6.00	8.25
8A	10.35	8.65	7.00	9.25
9A	11.35	9.65	8.00	10.25
10A	12.35	10.65	9.00	11.25



3D View



3	插片	黄铜H65	镀镍锡	
2	插针	黄铜H65	镀镍锡	
1	底座	LCP	本色	
序号	品名	材质	电镀/颜色	备注

UNLESS OTHERWISE SPECIFIED TOLERANCES



东莞市汉博电子科技有限公司
DONGGUAN HANBO TECHNOLOGY CO., LTD

DECIMALS: ANGLES:
X :±0.25 X :±2°
X.X :±0.15 X.X :±1°
X.XX :±0.05

TITLE	WAFER 针座1.0卧贴			
DWN	xiong	PART NO. WAFER-100W-NA		
CHKD	lee	SCALE:1:1	UNIT: mm	
APVD	wang	SIZE: A4	SHEET:1OF 1	REV: A4

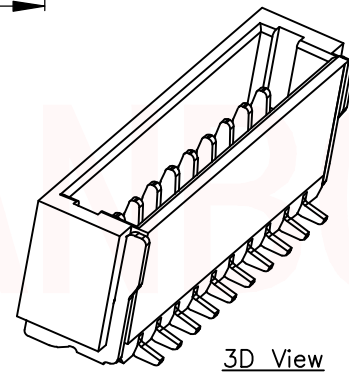
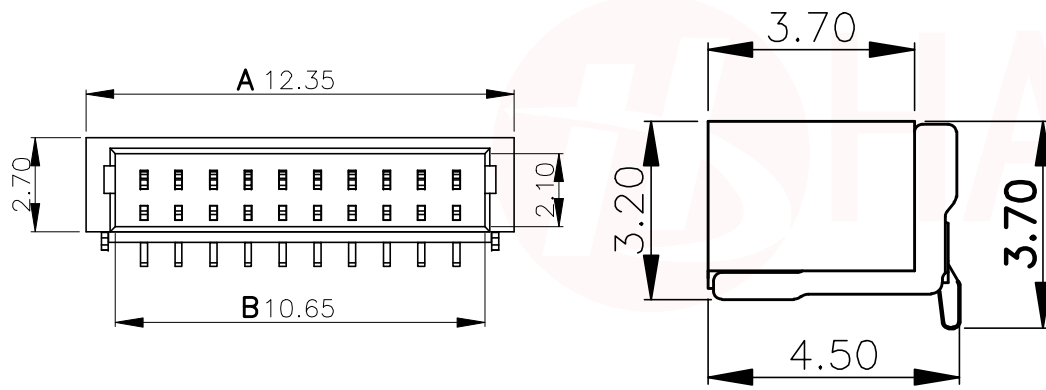
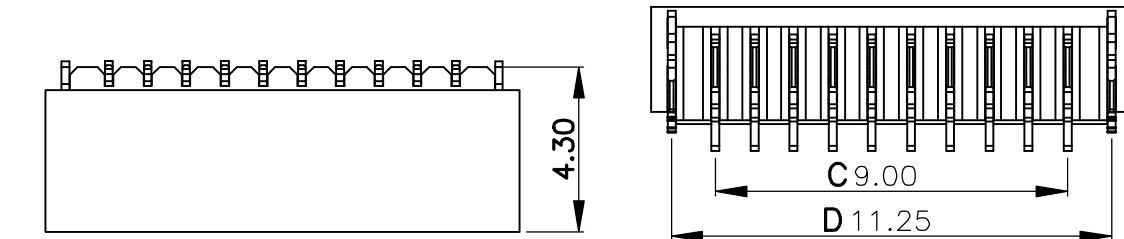
CUSTOMER COPY



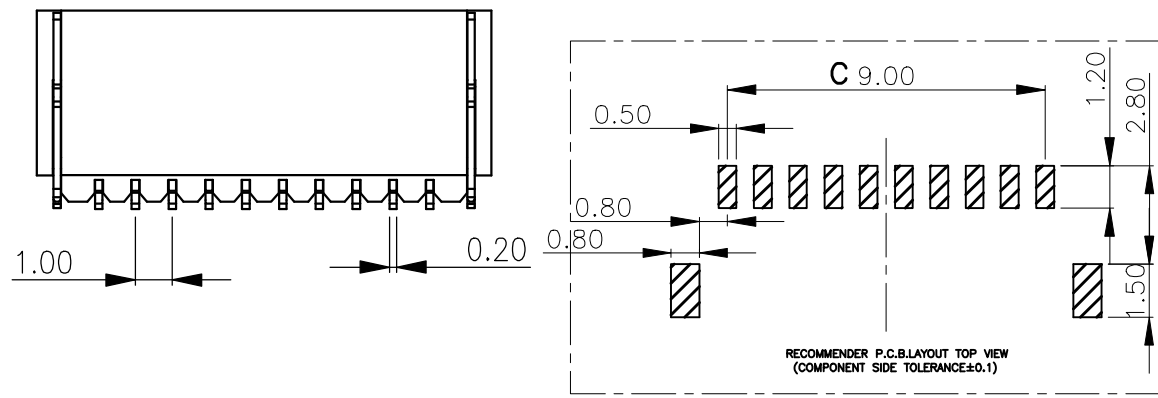
REV.	ECN NO OR DESCRIPTION	REVISED	DATE

Specifications:

1. Rated Voltage : 125V AC/DC
2. Rated Current : 1A AC,DC
3. Withstand Voltage : 200V AC/minute
4. Contact Resistance : 50mΩ(MAX.)
5. Insulation Resistance : 100MΩ(MIN.)
6. Storage Temperature Range: -40°C~+85°C;
7. Operation Temperature Range: -25°C~+70°C;



PIN数	A±0.1	B±0.1	C±0.1	D±0.1
2A	4.35	2.65	1.00	3.25
3A	5.35	3.65	2.00	4.25
4A	6.35	4.65	3.00	5.25
5A	7.35	5.65	4.00	6.25
6A	8.35	6.65	5.00	7.25
7A	9.35	7.65	6.00	8.25
8A	10.35	8.65	7.00	9.25
9A	11.35	9.65	8.00	10.25
10A	12.35	10.65	9.00	11.25



3	插片	黄铜H65	镀镍锡	
2	插针	黄铜H65	镀镍锡	
1	底座	LCP	本色	
序号	品名	材质	电镀/颜色	备注
UNLESS OTHERWISE SPECIFIED TOLERANCES		东莞市汉博电子科技有限公司 DONGGUAN HANBO TECHNOLOGY CO., LTD		
DECIMALS: X :±0.25 X.X :±0.15 X.XX :±0.05		TITLE: WAFER 针座1.0立贴 DWN: xiong PART NO. WAFER-100L-NA CHKD: lee SCALE:1:1 UNIT: mm APVD: wang SIZE: A4 SHEET:1OF 1 REV: A4		
CUSTOMER COPY				

RECOMMENDER P.C.B.LAYOUT TOP VIEW (COMPONENT SIDE TOLERANCE±0.1)

X-ON Electronics

Largest Supplier of Electrical and Electronic Components

Click to view similar products for [Headers & Wire Housings](#) category:

Click to view products by [Hanbo Electronic](#) manufacturer:

Other Similar products are found below :

[0015917161](#) [0022155065](#) [57102-F02-18ULF](#) [58102-G61-06LF](#) [582553-1](#) [01.001.5753.1](#) [0050291907](#) [02.125.8002.8](#) [609-3404](#) [61062-3](#)
[CSU011177004](#) [622-0430](#) [622-3653LF](#) [63453-116](#) [636-1030](#) [636-1427](#) [636-3427](#) [636-4007](#) [641938-9](#) [65495-038](#) [65692-001LF](#) [65781-018](#)
[65781-047](#) [65817-010LF](#) [65817-015LF](#) [67095-007LF](#) [67601157](#) [68631-112](#) [68645-018](#) [699319-000](#) [70.362.1628.0](#) [70-4210](#) [70-4226B](#) [70-](#)
[4853B](#) [71.350.2428.0](#) [733-134](#) [733-162](#) [760-3052](#) [MHR-64-VUAL](#) [80.063.4001.1](#) [800-90-001-10-001000](#) [801-43-002-10-013000](#)
[801-43-006-10-002000](#) [803-43-024-10-001000](#) [803-93-012-10-001000](#) [8-1437020-4](#) [819-22-004-30-001101](#) [820-22-006-30-001101](#)
[820-22-008-30-001101](#) [821-22-002-10-001101](#)