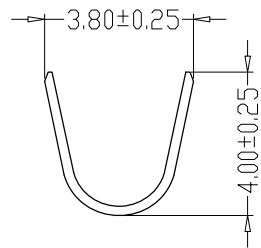
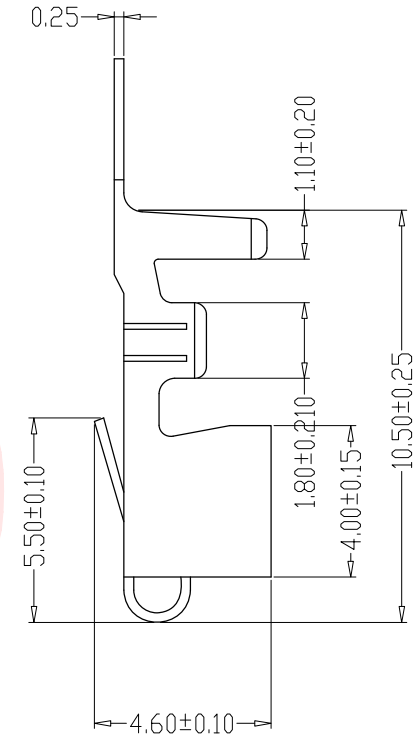
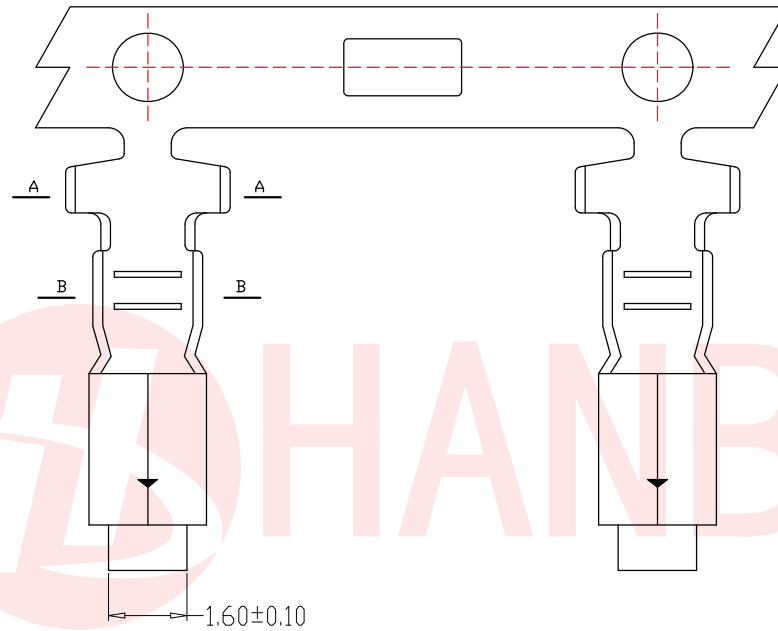
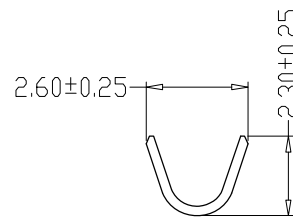




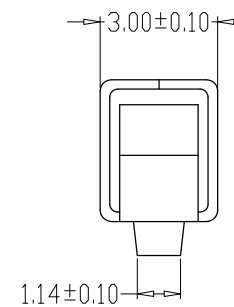
REV.	ECN NO OR DESCRIPTION	REVISED	DATE



SEC:A-A



SEC:B-B



SPECIFICATIONS

- 1、Current Rating: 7A AC, DC
- 2、Voltage Rating: 250V AC, DC
- 3、Temperatuer Range: -25°C ~ +85°C
- 4、Contact Resistance: 20mΩ Max
- 5、Insulation Resistance: 1000MΩ Min
- 6、Withstanding Voltang: 1500V AC/minute
- 7、Material: Phosphoric bronze Tin-plated
- 8、Applicable Wire Sizes: AWG#16~22#

UNLESS OTHERWISE SPECIFIED TOLERANCES		东莞市汉博电子科技有限公司 DONGGUAN HANBO TECHNOLOGY CO., LTD			
DECIMALS:	ANGLES:	TITLE WAFER VH 3.96端子			
X :±0.20	X :±2°	DWN	xiong	PART NO. WAFER-VH396DZ	
X.X :±0.10	X.X :±1°	CHKD	lee	SCALE: 1:1	UNIT: mm
X.XX :±0.05		APVD	wang	SIZE: A4	SHEET: 10F 1
		REV: A4			
CUSTOMER COPY					



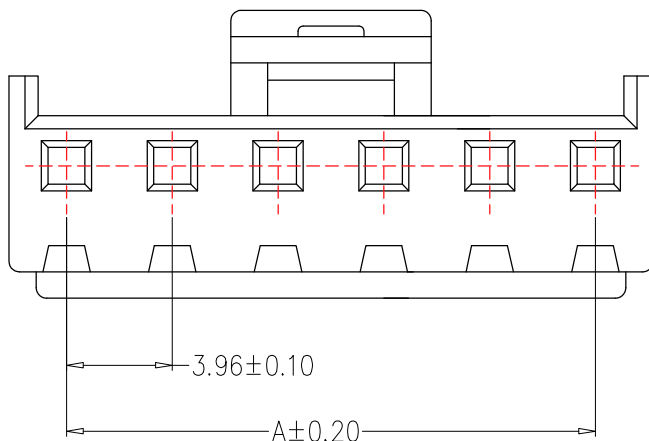
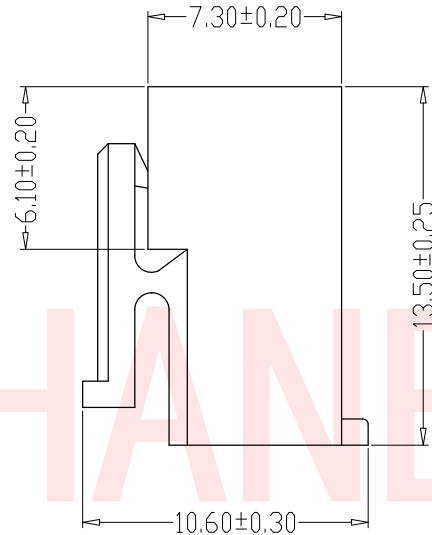
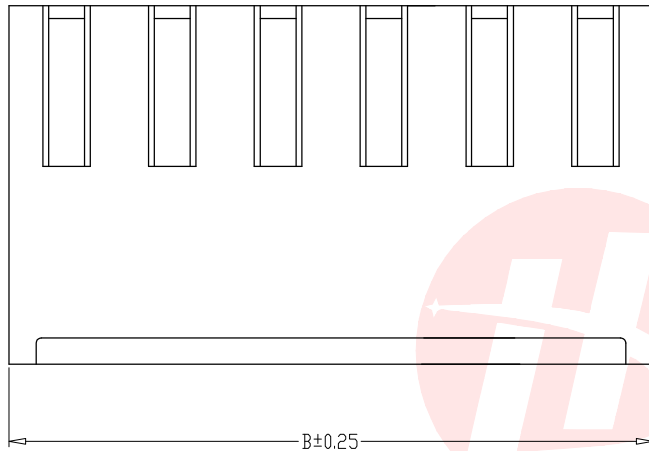
REV.	ECN NO OR DESCRIPTION	REVISED	DATE

SPECIFICATIONS

- 1、Current Rating: 7A AC, DC
- 2、Voltage Rating: 250V AC, DC
- 3、Temperatuer Range: -25°C ~ +85°C
- 4、Contact Resistance: 20mΩ Max
- 5、Insulation Resistance: 1000MΩ Min
- 6、Withstanding Voltang: 1500 AC/minute
- 7、Material:Housing:Nylon66, UL94V-0

TABLE:

CSG PART NO.	PIN位	A	B
WAFER-VH396JK-2A	2PIN	3.96	8.02
WAFER-VH396JK-3A	3PIN	7.92	11.98
WAFER-VH396JK-4A	4PIN	11.88	15.94
WAFER-VH396JK-5A	5PIN	15.84	19.90
WAFER-VH396JK-6A	6PIN	19.80	23.86
WAFER-VH396JK-7A	7PIN	23.76	27.82
WAFER-VH396JK-8A	8PIN	27.72	31.78
WAFER-VH396JK-9A	9PIN	31.68	35.74
WAFER-VH396JK-10A	10PIN	35.64	39.70
WAFER-VH396JK-11A	11PIN	39.60	43.66
WAFER-VH396JK-12A	12PIN	43.56	47.62



UNLESS OTHERWISE SPECIFIED TOLERANCES		东莞市汉博电子科技有限公司 DONGGUAN HANBO TECHNOLOGY CO., LTD			
DECIMALS:	ANGLES:	TITLE WAFER VH 3.96胶壳			
X :±0.20	X :±2°	DWN	xiong	PART NO. WAFER-VH396JK-NA	
X.X :±0.10	X.X :±1°	CHKD	lee	SCALE:1:1	UNIT: mm
X.XX :±0.05		APVD	wang	SIZE: A4	SHEET:10F 1
		REV: A4			
CUSTOMER COPY					



REV.	ECN NO OR DESCRIPTION	REVISED	DATE

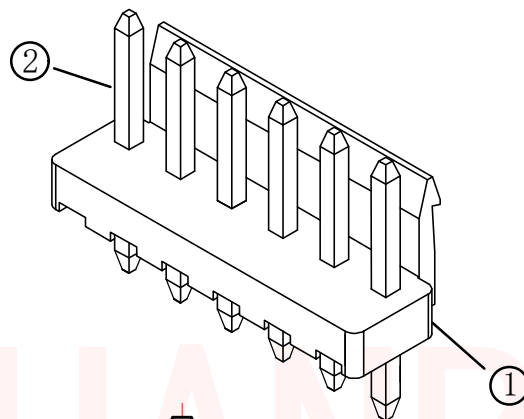
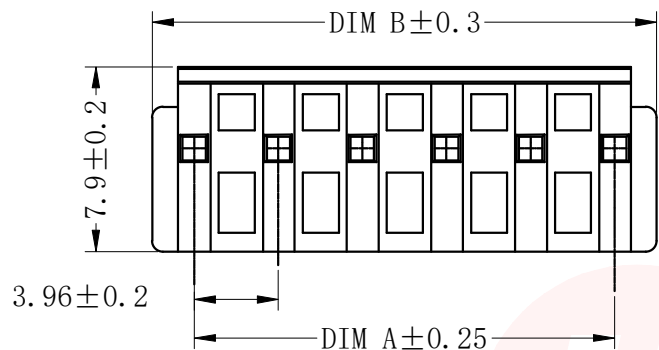
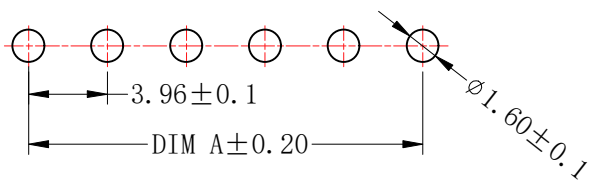
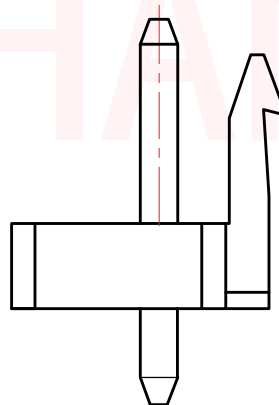
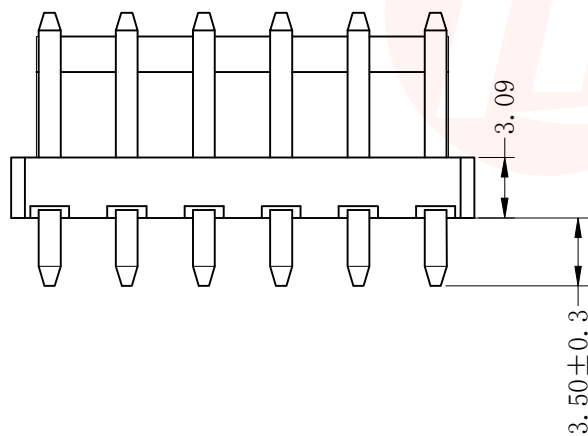


TABLE:

CSG PART NO.	Dimension mm		
	PIN	A	B
WAFER-VH396Z-2A	2P	3.96	7.92
WAFER-VH396Z-3A	3P	7.92	11.88
WAFER-VH396Z-4A	4P	11.88	15.84
WAFER-VH396Z-5A	5P	15.84	19.80
WAFER-VH396Z-6A	6P	19.80	23.76
WAFER-VH396Z-7A	7P	23.76	27.72
WAFER-VH396Z-8A	8P	27.72	31.68
WAFER-VH396Z-9A	9P	31.68	35.64
WAFER-VH396Z-10A	10P	35.64	39.60
WAFER-VH396Z-11A	11P	39.60	43.56
WAFER-VH396Z-12A	12P	43.56	47.52
WAFER-VH396Z-13A	13P	47.52	51.48
WAFER-VH396Z-20A	20P	75.24	79.20



SUGGESTED PCB LAYOUT
(COMPONENT SIDE)

技术要求:

- 1、塑件材料: PA66 (UL-94V-0)
- 2、接触件: 黄铜镀锡
- 3、接触电阻: $\leq 20\text{m}\Omega$
- 4、绝缘电阻: $\geq 1000\text{M}\Omega$
- 5、额定电压: 250V AC DC
- 6、额定电流: 3.0A AC DC
- 7、耐压: 能承受1000V AC/Minute
- 8、工作温度: $-25^{\circ}\text{C} \sim +105^{\circ}\text{C}$
- 9、可焊性试验: 浸锡面积 $\geq 95\%$ 温度 235^{+5}_{-0} , 时间 2.5 ± 0.5 秒
- 10、铅和镉等六大有害物质含量要符合环保要求

序号	名称	材料	电镀 (锡): 整个表面镀底镍 30U"MIN 再镀锡80U" MIN
1	端子/Contact	黄铜	
2	基座/Wafer	PA66 (UL94V-0)	白色
UNLESS OTHERWISE SPECIFIED TOLERANCES		东莞市汉博电子科技有限公司 DONGGUAN HANBO TECHNOLOGY CO., LTD	
DECIMALS: ANGLES:		TITLE: WAFER VH 3.96MM 直针 DIP TYPE	
X	:±0.20	X	:±2°
X.X	:±0.10	X.X	:±1°
X.XX	:±0.05		
DWN	xiong	PART NO. WAFER-VH396Z-NA	
CHKD	lee	SCALE:1:1	UNIT: mm
APVD	wang	SIZE: A4	SHEET:10F 1
REV: A4			
CUSTOMER COPY			



REV.	ECN NO OR DESCRIPTION	REVISED	DATE

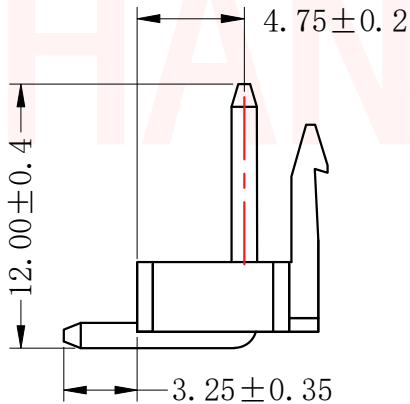
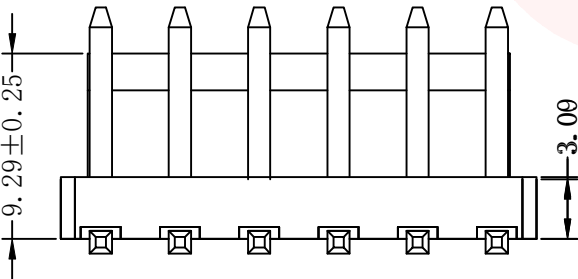
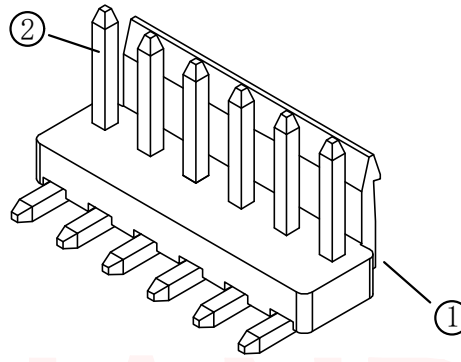
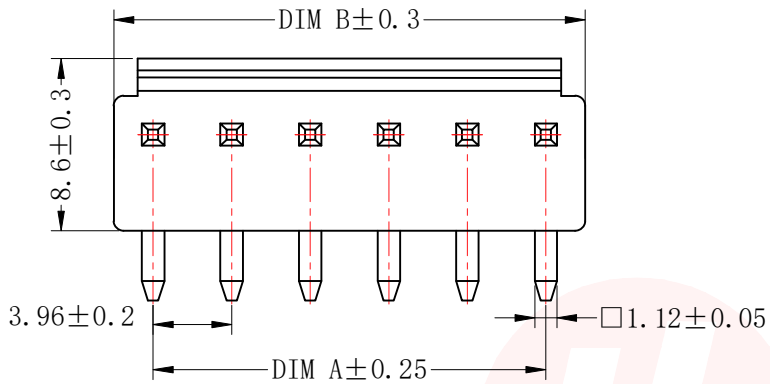
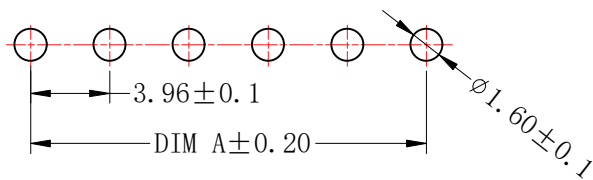


TABLE:

CSG PART NO.	Dimension mm		
	PIN	A	B
WAFER-VH396WZ-2A	2P	3.96	7.92
WAFER-VH396WZ-3A	3P	7.92	11.88
WAFER-VH396WZ-4A	4P	11.88	15.84
WAFER-VH396WZ-5A	5P	15.84	19.80
WAFER-VH396WZ-6A	6P	19.80	23.76
WAFER-VH396WZ-7A	7P	23.76	27.72
WAFER-VH396WZ-8A	8P	27.72	31.68
WAFER-VH396WZ-9A	9P	31.68	35.64
WAFER-VH396WZ-10A	10P	35.64	39.60
WAFER-VH396WZ-11A	11P	39.60	43.56
WAFER-VH396WZ-12A	12P	43.56	47.52
WAFER-VH396WZ-13A	13P	47.52	51.48
WAFER-VH396WZ-20A	20P	75.24	79.20

技术要求:

- 1、塑件材料: PA66 (UL-94V-0)
- 2、接触件: 黄铜镀锡
- 3、接触电阻: $\leq 20m\Omega$
- 4、绝缘电阻: $\geq 1000M\Omega$
- 5、额定电压: 250V AC DC
- 6、额定电流: 3.0A AC DC
- 7、耐压: 能承受1000V AC/Minute
- 8、工作温度: $-25^{\circ} \sim +105^{\circ}$
- 9、可焊性试验: 浸锡面积 $\geq 95\%$ 温度 235^{+5}_{-0} , 时间 2.5 ± 0.5 秒
- 10、铅和镉等六大有害物质含量要符合环保要求

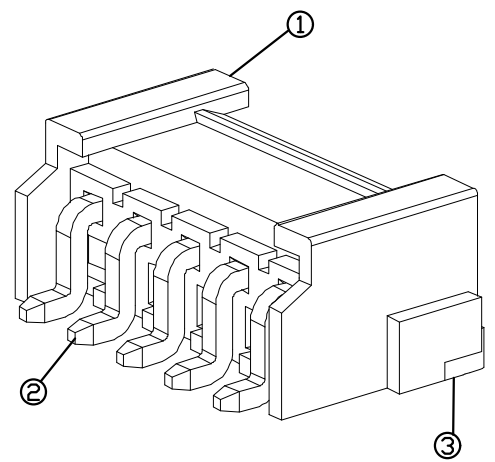


SUGGESTED PCB LAYOUT
(COMPONENT SIDE)

序号	名称	材料	电镀 (锡): 整个表面镀底镍 30U"MIN 再镀锡80U" MIN
1	端子/Contact	黄铜	
2	基座/Wafer	PA66 (UL94V-0)	白色
UNLESS OTHERWISE SPECIFIED TOLERANCES		东莞市汉博电子科技有限公司 DONGGUAN HANBO TECHNOLOGY CO., LTD	
DECIMALS: ANGLES:		TITLE: WAFER VH 3.96MM 弯针 DIP TYPE	
X	:±0.20	X	:±2°
X.X	:±0.10	X.X	:±1°
X.XX	:±0.05		
DWN	xiong	PART NO.	WAFER-VH396WZ-NA
CHKD	lee	SCALE:1:1	UNIT: mm
APVD	wang	SIZE: A4	SHEET:10F 1
REV: A4			
CUSTOMER COPY			



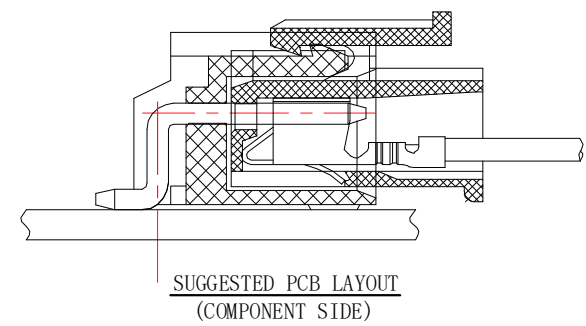
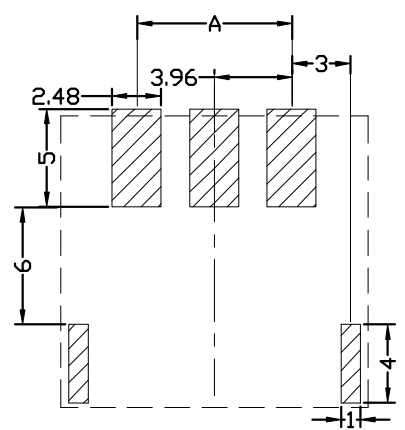
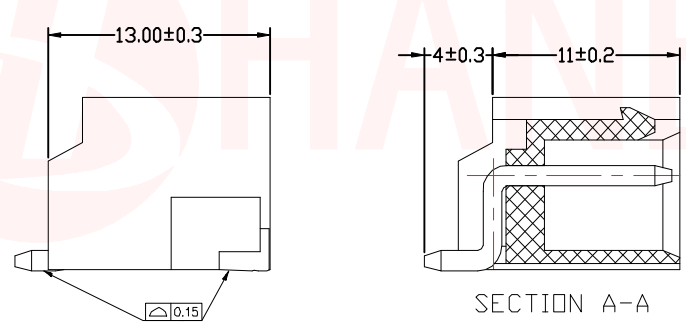
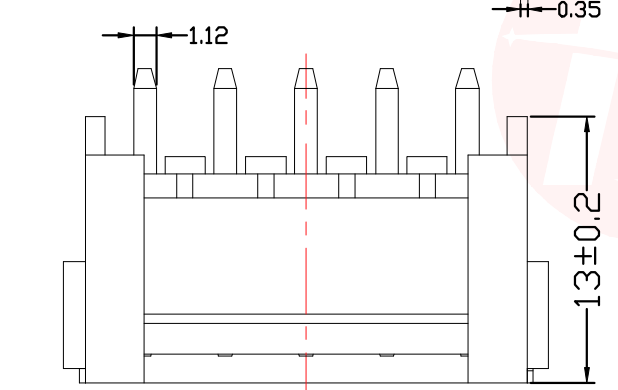
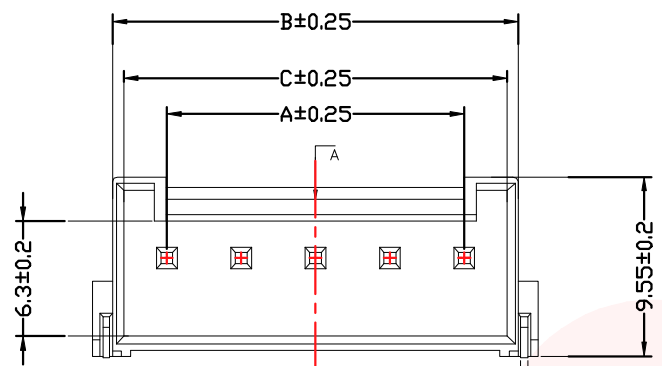
REV.	ECN NO OR DESCRIPTION	REVISED	DATE



- 技术要求:
- 1、塑件材料: LCP (UL-94V-0)
 - 2、接触件: 黄铜镀锡
 - 3、接触电阻: $\leq 30m\Omega$
 - 4、绝缘电阻: $\geq 1000M\Omega$
 - 5、额定电压: 250V AC DC
 - 6、额定电流: 7.0A AC DC
 - 7、耐压: 能承受1000V AC/Min ute
 - 8、工作温度: $-25^{\circ}\sim+85^{\circ}$
 - 9、可焊性试验: 浸锡面积 $\geq 95\%$ 温度260,时间 2.5 ± 0.5 秒
 - 10、铅和镉等六大有害物质含量要符合环保要求

TABLE:

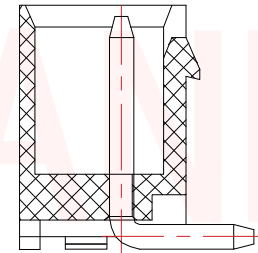
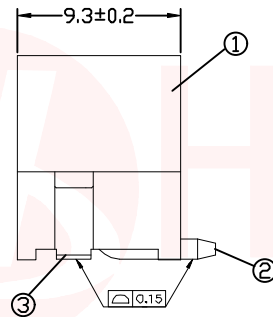
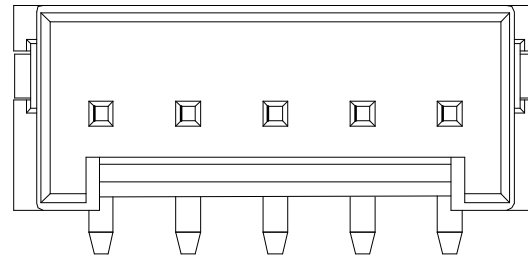
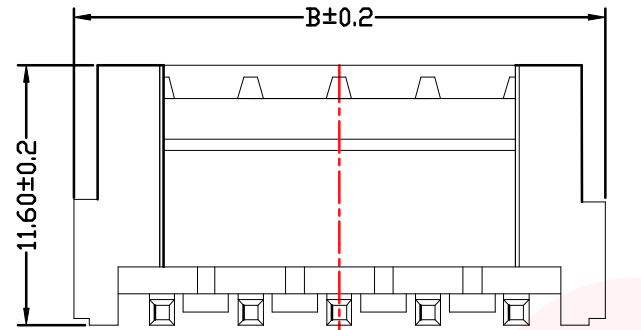
CSG PART NO.	Dimension mm			
	PIN	A	B	C
WAFER-VH396W-2A	2P	3.96	9.80	8.60
WAFER-VH396W-3A	3P	7.92	13.76	12.56
WAFER-VH396W-4A	4P	11.88	17.72	16.52
WAFER-VH396W-5A	5P	15.84	21.68	20.48
WAFER-VH396W-6A	6P	19.80	25.64	24.44
WAFER-VH396W-7A	7P	23.76	29.60	28.40
WAFER-VH396W-8A	8P	27.72	33.56	32.36
WAFER-VH396W-9A	9P	31.68	37.52	36.32
WAFER-VH396W-10A	10P	35.64	45.44	40.28



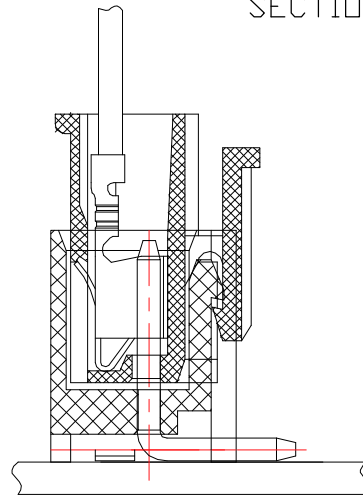
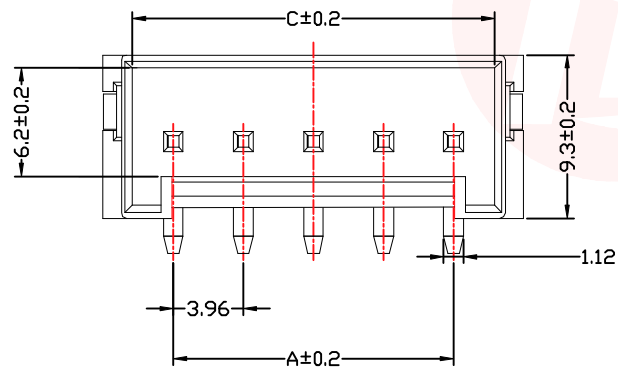
3	焊片/Fitting Nail	黄铜	电镀(锡): 整个表面镀底镍30U"MIN 再镀锡80U" MIN
2	端子/Contact	黄铜	电镀(锡): 整个表面镀底镍30U"MIN 再镀锡80U" MIN
1	基座/Wafer	LCP (UL94V-0)	30U"MIN 再镀锡80U" MIN
序号	名称	材料	米色
UNLESS OTHERWISE SPECIFIED TOLERANCES		东莞市汉博电子科技有限公司 DONGGUAN HANBO TECHNOLOGY CO., LTD	
DECIMALS:	ANGLES:	TITLE	WAFER VH 3.96MM 贴片 SMT TYPE
X :±0.20	X :±2°	DWN	xiong
X.X :±0.10	X.X :±1°	CHKD	lee
X.XX :±0.05		APVD	wang
		PART NO.	WAFER-VH396W-NA
		SCALE:	1:1
		UNIT:	mm
		SIZE:	A4
		SHEET:	10F 1
		REV:	A4
CUSTOMER COPY			



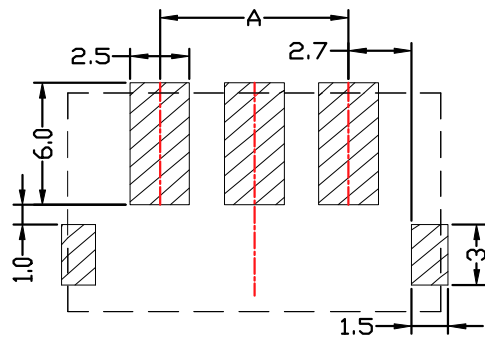
REV.	ECN NO OR DESCRIPTION	REVISED	DATE



SECTION A-A



SUGGESTED PCB LAYOUT
(COMPONENT SIDE)



SUGGESTED PCB LAYOUT
(COMPONENT SIDE)

技术要求:

- 1、塑件材料: LCP (UL-94V-0)
- 2、接触件: 黄铜镀锡
- 3、接触电阻: $\leq 30m\Omega$
- 4、绝缘电阻: $\geq 1000M\Omega$
- 5、额定电压: 250V AC DC
- 6、额定电流: 7.0A AC DC
- 7、耐压: 能承受1000V AC/Min ute
- 8、工作温度: $-25^{\circ}\sim\sim+85^{\circ}$
- 9、可焊性试验: 浸锡面积 $\geq 95\%$ 温度260,时间 2.5 ± 0.5 秒
- 10、铅和镉等六大有害物质含量要符合环保要求

TABLE:

CSG PART NO.	Dimension mm			
	PIN	A	B	C
WAFER-VH396L-2A	2P	3.96	11.88	8.60
WAFER-VH396L-3A	3P	7.92	15.84	12.56
WAFER-VH396L-4A	4P	11.88	19.80	16.52
WAFER-VH396L-5A	5P	15.84	23.76	20.48
WAFER-VH396L-6A	6P	19.80	27.72	24.44
WAFER-VH396L-7A	7P	23.76	31.68	28.40
WAFER-VH396L-8A	8P	27.72	35.64	32.36
WAFER-VH396L-9A	9P	31.68	39.60	36.32
WAFER-VH396L-10A	10P	35.64	43.56	40.28

3	焊片/Fitting Nail	黄铜	电镀(锡): 整个表面镀底镍 30U"MIN 再镀锡80U" MIN
2	端子/Contact	黄铜	电镀(锡): 整个表面镀底镍 30U"MIN 再镀锡80U" MIN
1	基座/Wafer	LCP (UL94V-0)	30U"MIN 再镀锡80U" MIN
序号	名称	材料	米色
UNLESS OTHERWISE SPECIFIED TOLERANCES		东莞市汉博电子科技有限公司 DONGGUAN HANBO TECHNOLOGY CO., LTD	
DECIMALS: ANGLES:		TITLE: WAFER VH 3.96MM 立贴 SMT TYPE	
X :±0.20	X :±2°	DWN	xiong PART NO. WAFER-VH396L-NA
X.X :±0.10	X.X :±1°	CHKD	lee SCALE:1:1 UNIT: mm
X.XX :±0.05		APVD	wang SIZE: A4 SHEET:10F 1 REV: A4
CUSTOMER COPY			

X-ON Electronics

Largest Supplier of Electrical and Electronic Components

Click to view similar products for [Headers & Wire Housings](#) category:

Click to view products by [Hanbo Electronic](#) manufacturer:

Other Similar products are found below :

[0015917161](#) [0022155065](#) [57102-F02-18ULF](#) [58102-G61-06LF](#) [582553-1](#) [01.001.5753.1](#) [0050291907](#) [02.125.8002.8](#) [609-3404](#) [61062-3](#)
[CSU011177004](#) [622-0430](#) [622-3653LF](#) [63453-116](#) [636-1030](#) [636-1427](#) [636-3427](#) [636-4007](#) [641938-9](#) [65495-038](#) [65692-001LF](#) [65781-018](#)
[65781-047](#) [65817-010LF](#) [65817-015LF](#) [67095-007LF](#) [67601157](#) [68631-112](#) [68645-018](#) [699319-000](#) [70.362.1628.0](#) [70-4210](#) [70-4226B](#) [70-](#)
[4853B](#) [71.350.2428.0](#) [733-134](#) [733-162](#) [760-3052](#) [MHR-64-VUAL](#) [80.063.4001.1](#) [800-90-001-10-001000](#) [801-43-002-10-013000](#)
[801-43-006-10-002000](#) [803-43-024-10-001000](#) [803-93-012-10-001000](#) [8-1437020-4](#) [819-22-004-30-001101](#) [820-22-006-30-001101](#)
[820-22-008-30-001101](#) [821-22-002-10-001101](#)