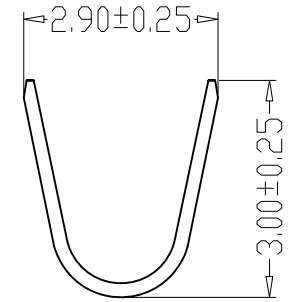
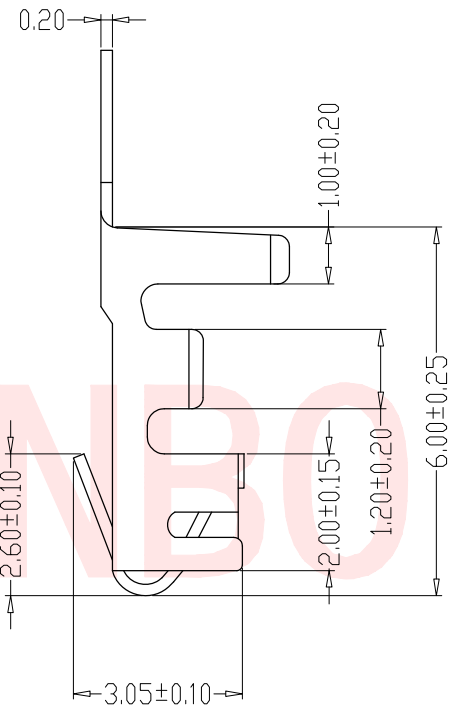
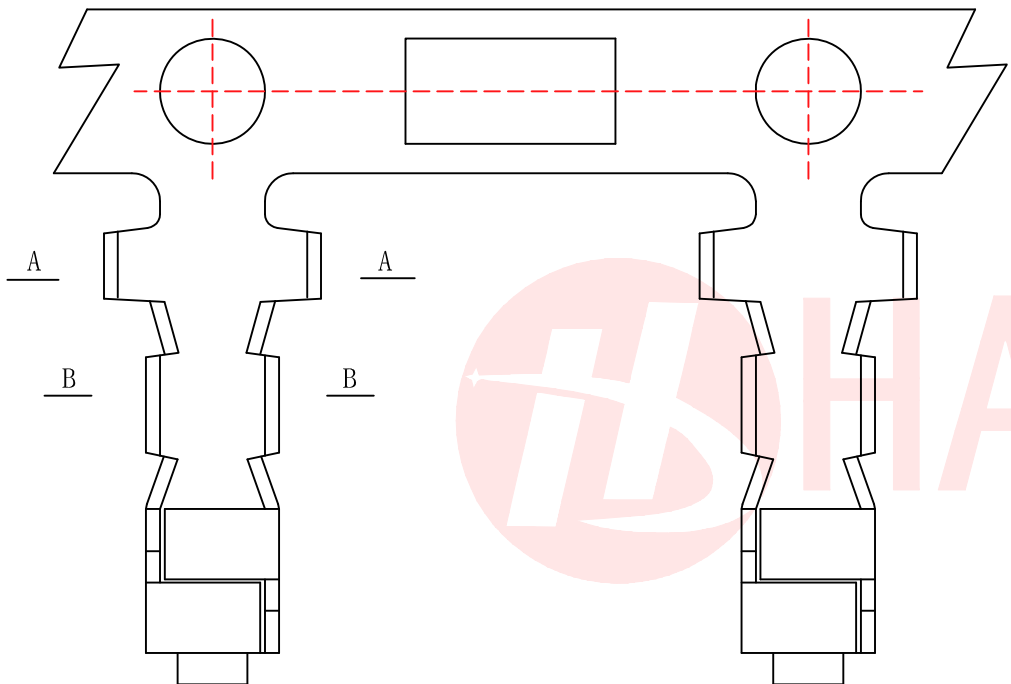
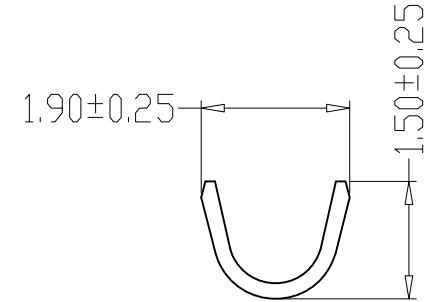




REV.	ECN NO OR DESCRIPTION	REVISED	DATE



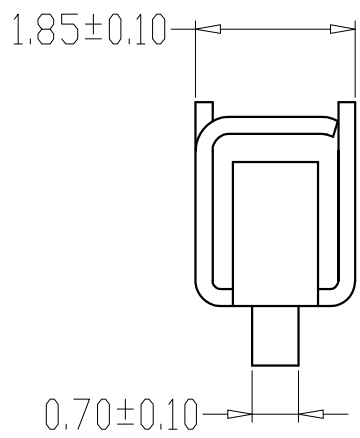
SEC: A-A



SFC: B-B

SPECIFICATIONS

- 1、Current Rating: 3A AC, DC
- 2、Voltage Rating: 250V AC, DC
- 3、Temperatuer Range: -25°C~+85°C
- 4、Contact Resistance: 20mΩ Max
- 5、Insulation Resistance: 1000MΩ Min
- 6、Withstanding Voltang: 1000V AC/minute
- 7、Material: Phosphoric bronze Tin-plated
- 8、Applicable Wire Sizes: AWG#22~28#



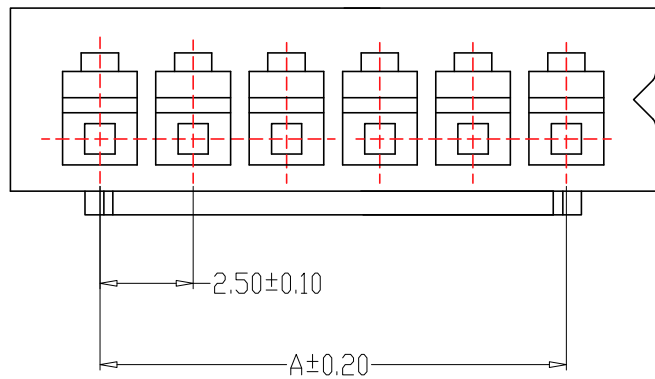
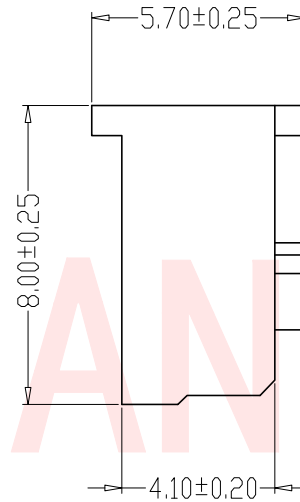
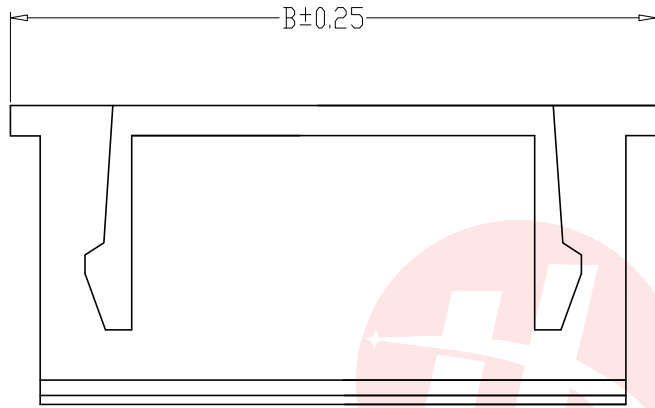
UNLESS OTHERWISE SPECIFIED TOLERANCES		东莞市汉博电子科技有限公司 DONGGUAN HANBO TECHNOLOGY CO., LTD		
TITLE	WAFER XH 2.54端子			
DWN	xiong	PART NO. WAFER-XH254DZ		
CHKD	lee	SCALE: 1:1	UNIT: mm	
APVD	wang	SIZE: A4	SHEET: 10F 1	REV: A4
CUSTOMER COPY				



REV.	ECN NO OR DESCRIPTION	REVISED	DATE

### SPECIFICATIONS

- 1、Current Rating: 3A AC, DC
- 2、Voltage Rating: 250V AC, DC
- 3、Temperatuer Range:  $-25^{\circ}\text{C} \sim +85^{\circ}\text{C}$
- 4、Contact Resistance:  $20\text{m}\Omega$  Max
- 5、Insulation Resistance:  $1000\text{ M}\Omega$  Min
- 6、Withstanding Voltang: 1000V AC/minute
- 7、Material: Nylon66, UL94V-0



CSG PART NO.	尺寸 (mm)	
	A	B
WAFER-XH254JK-2A	2.50	7.50
WAFER-XH254JK-3A	5.00	10.00
WAFER-XH254JK-4A	7.50	12.50
WAFER-XH254JK-5A	10.00	15.00
WAFER-XH254JK-6A	12.50	17.50
WAFER-XH254JK-7A	15.00	20.00
WAFER-XH254JK-8A	17.50	22.50
WAFER-XH254JK-9A	20.00	25.00
WAFER-XH254JK-10A	22.50	27.50
WAFER-XH254JK-11A	25.00	30.00
WAFER-XH254JK-12A	27.50	32.50
WAFER-XH254JK-20A	47.50	52.50

UNLESS OTHERWISE SPECIFIED TOLERANCES

DECIMALS: ANGLES:  
 X :±0.20 X :±2°  
 X.X :±0.10 X.X :±1°  
 X.XX :±0.05



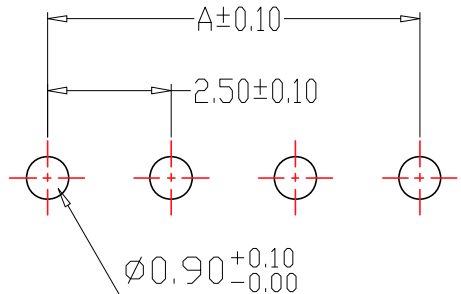
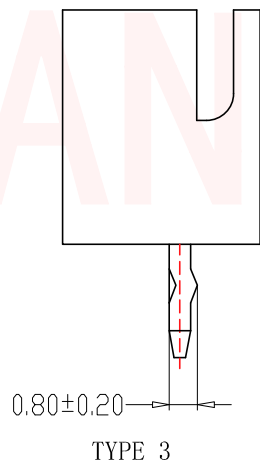
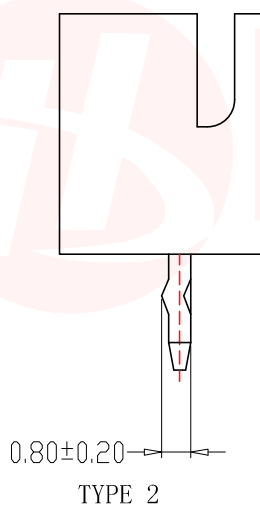
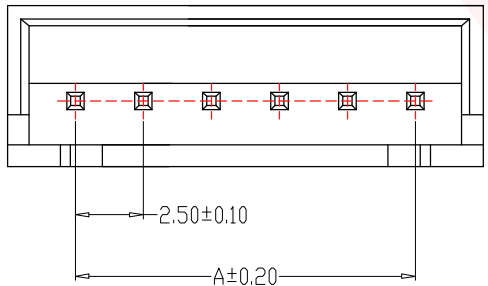
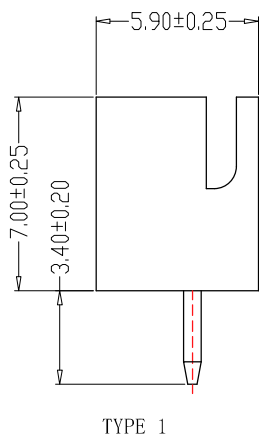
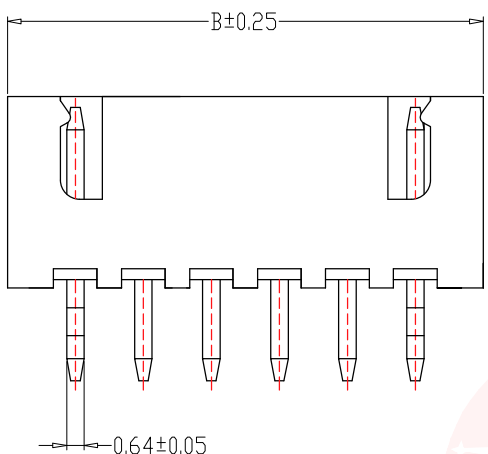
东莞市汉博电子科技有限公司  
 DONGGUAN HANBO TECHNOLOGY CO., LTD

TITLE	WAFER XH 2.54 胶壳			
DWN	xiong	PART NO. WAFER-XH254JK-NA		
CHKD	lee	SCALE:1:1	UNIT: mm	
APVD	wang	SIZE: A4	SHEET:10F 1	REV: A4

CUSTOMER COPY



REV.	ECN NO OR DESCRIPTION	REVISED	DATE



**PCB LAYOUT**

**SPECIFICATIONS**

- 1、Current Rating: 3A AC, DC
- 2、Voltage Rating: 250V AC, DC
- 3、Temperatuer Range: -25°C ~ +85°C
- 4、Contact Resistance: 20mΩ Max
- 5、Insulation Resistance: 1000MΩ Min
- 6、Withstanding Voltang: 1000V AC/minute
- 7、Material: Wafer Nylon66, UL94V-0  
PIN Brass Tin-plated

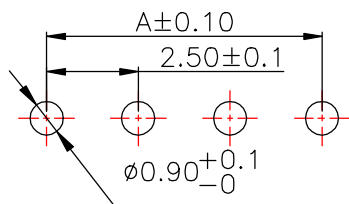
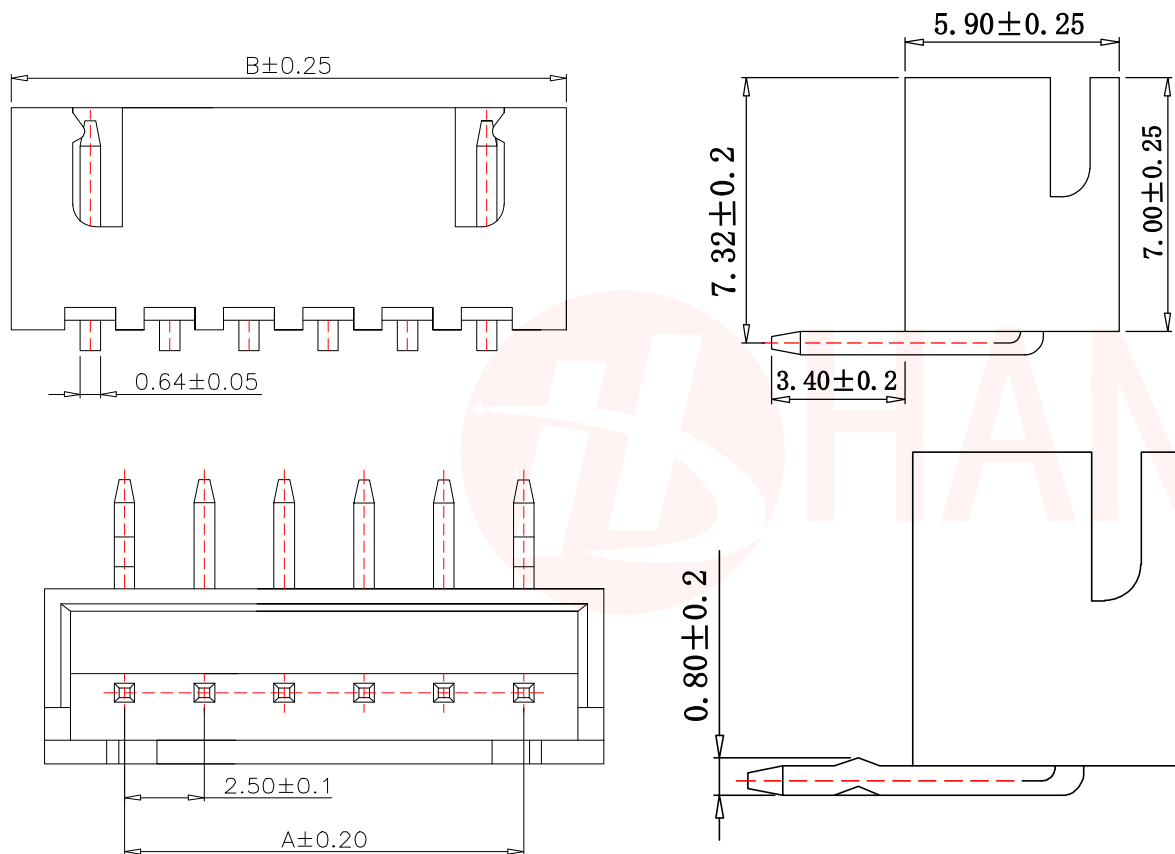
**TABLE:**

CSG PART NO.	Dimension mm		
	PIN	A	B
WAFER-XH254Z-2A	2P	2.50	7.50
WAFER-XH254Z-3A	3P	5.00	10.00
WAFER-XH254Z-4A	4P	7.50	12.50
WAFER-XH254Z-5A	5P	10.00	15.00
WAFER-XH254Z-6A	6P	12.50	17.50
WAFER-XH254Z-7A	7P	15.00	20.00
WAFER-XH254Z-8A	8P	17.50	22.50
WAFER-XH254Z-9A	9P	20.00	25.00
WAFER-XH254Z-10A	10P	22.50	27.50
WAFER-XH254Z-11A	11P	25.00	30.00
WAFER-XH254Z-12A	12P	27.50	32.50
WAFER-XH254Z-20A	20P	47.50	52.50

序号	名称	材料	电镀 (锡): 整个表面镀底镍 30U"MIN 再镀锡80U" MIN
1	端子/Contact	黄铜	
2	基座/Wafer	LCP/PA66 (UL94V-0)	白色
UNLESS OTHERWISE SPECIFIED TOLERANCES		<b>东莞市汉博电子科技有限公司</b> DONGGUAN HANBO TECHNOLOGY CO., LTD	
DECIMALS: ANGLES:		TITLE: WAFER XH 2.54MM 直针 DIP TYPE	
X : ±0.20	X : ±2°	DWN	xiong PART NO. WAFER-XH254Z-NA
X.X : ±0.10	X.X : ±1°	CHKD	lee SCALE:1:1 UNIT: mm
X.XX : ±0.05		APVD	wang SIZE: A4 SHEET:10F 1 REV: A4
CUSTOMER COPY			



REV.	ECN NO OR DESCRIPTION	REVISED	DATE



SUGGESTED PCB LAYOUT  
(COMPONENT SIDE)

**SPECIFICATIONS**

- Current Rating: 3A AC, DC
- Voltage Rating: 250V AC, DC
- Temperatuer Range: -25°C ~ +85°C
- Contact Resistance: 20mΩ Max
- Insulation Resistance: 1000MΩ Min
- Withstanding Voltang: 1000V AC/minute
- Material: Wafer Nylon66, UL94V-0  
PIN Brass Tin-plated

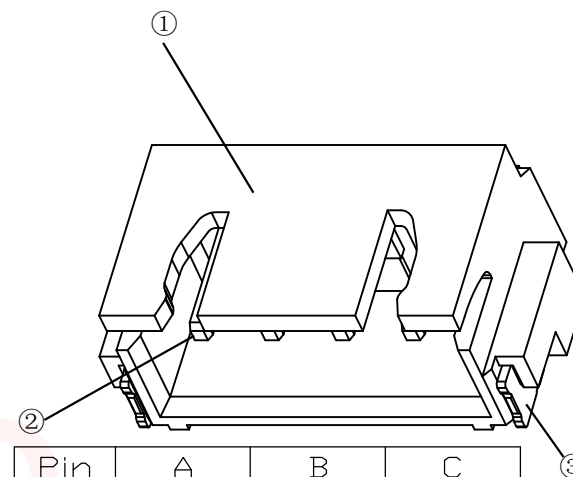
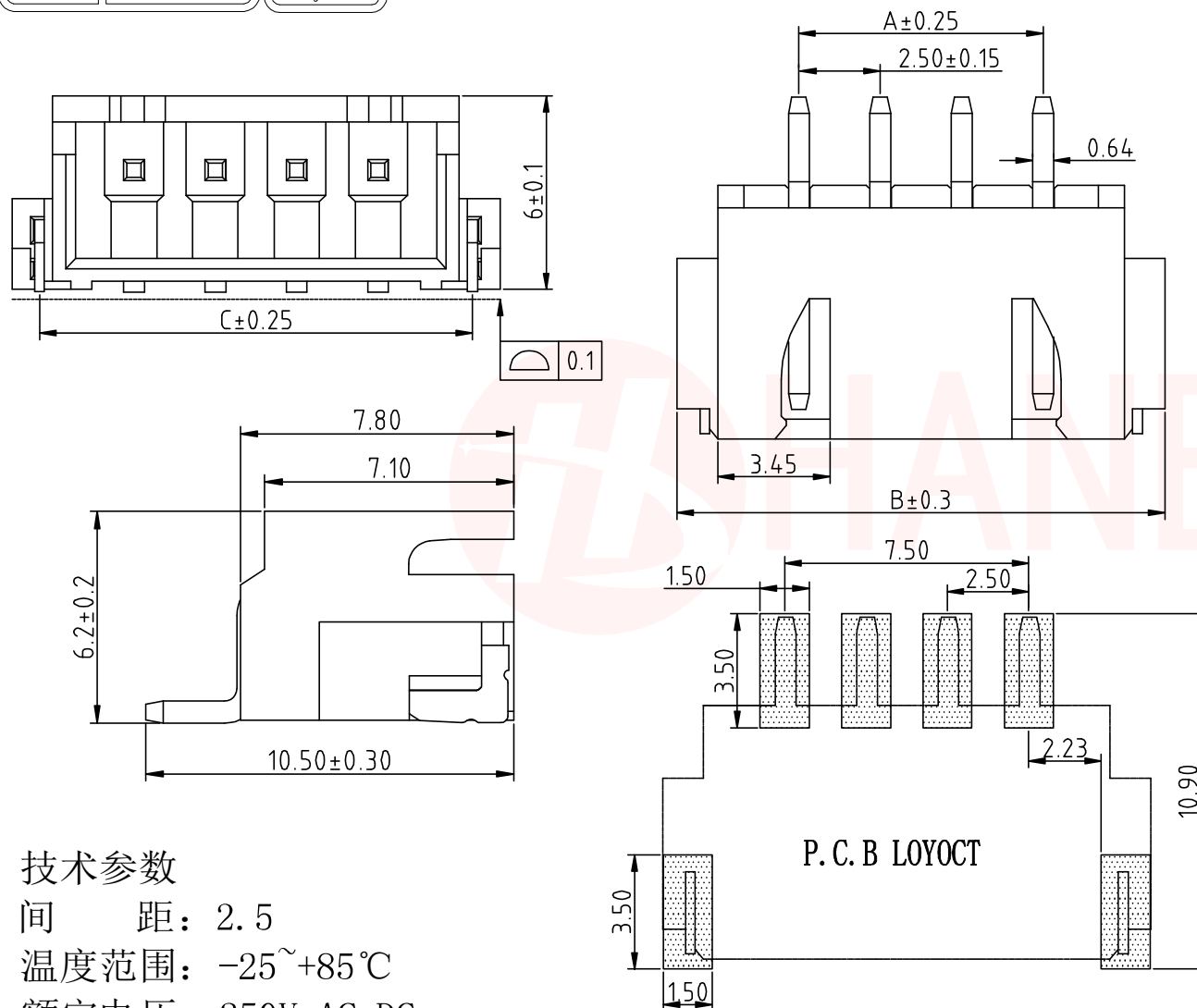
TABLE:

CSG PART NO.	Dimension mm		
	PIN	A	B
WAFER-XH254WZ-2A	2P	2.50	7.50
WAFER-XH254WZ-3A	3P	5.00	10.00
WAFER-XH254WZ-4A	4P	7.50	12.50
WAFER-XH254WZ-5A	5P	10.00	15.00
WAFER-XH254WZ-6A	6P	12.50	17.50
WAFER-XH254WZ-7A	7P	15.00	20.00
WAFER-XH254WZ-8A	8P	17.50	22.50
WAFER-XH254WZ-9A	9P	20.00	25.00
WAFER-XH254WZ-10A	10P	22.50	27.50
WAFER-XH254WZ-11A	11P	25.00	30.00
WAFER-XH254WZ-12A	12P	27.50	32.50
WAFER-XH254WZ-20A	20P	47.50	52.50

序号	名称	材料	电镀(锡): 整个表面镀底镍 30U"MIN 再镀锡80U" MIN
1	端子/Contact	黄铜	
2	基座/Wafer	LCP/PA66 (UL94V-0)	白色
UNLESS OTHERWISE SPECIFIED TOLERANCES		东莞市汉博电子科技有限公司 DONGGUAN HANBO TECHNOLOGY CO., LTD	
DECIMALS:	ANGLES:	TITLE	WAFER HA 2.54MM 弯针 DIP TYPE
X : ±0.20	X : ±2°	DWN	xiong PART NO. WAFER-XH254WZ-NA
X.X : ±0.10	X.X : ±1°	CHKD	lee SCALE:1:1 UNIT: mm
X.XX : ±0.05		APVD	wang SIZE: A4 SHEET:10F 1 REV: A4
CUSTOMER COPY			



REV.	ECN NO OR DESCRIPTION	REVISED	DATE



Pin	A	B	C
2A	2.50	10.00	8.30
3A	5.00	12.50	10.80
4A	7.50	15.00	13.30
5A	10.00	17.50	15.80
6A	12.50	20.00	18.30
7A	15.00	22.50	20.80
8A	17.50	25.00	23.30
9A	20.00	27.50	25.80
10A	22.50	30.00	28.30
11A	25.00	32.50	30.80
12A	27.50	35.00	33.30
13A	30.00	37.50	35.80
14A	32.50	40.00	38.30
15A	35.00	42.50	40.80
16A	37.50	45.00	43.30

技术参数  
 间距: 2.5  
 温度范围:  $-25 \sim +85^{\circ}\text{C}$   
 额定电压: 250V AC, DC  
 额定电流: 3.0A AC, DC  
 接触电阻: 20m $\Omega$   
 绝缘电阻: 800M $\Omega$   
 耐压: 500V AC/minute

P. C. B LOYCOCT

UNLESS OTHERWISE SPECIFIED TOLERANCES



东莞市汉博电子科技有限公司  
DONGGUAN HANBO TECHNOLOGY CO., LTD

DECIMALS: X  $\pm 0.20$ , X.X  $\pm 0.10$ , X.XX  $\pm 0.05$   
 ANGLES: X  $\pm 2^{\circ}$ , X.X  $\pm 1^{\circ}$

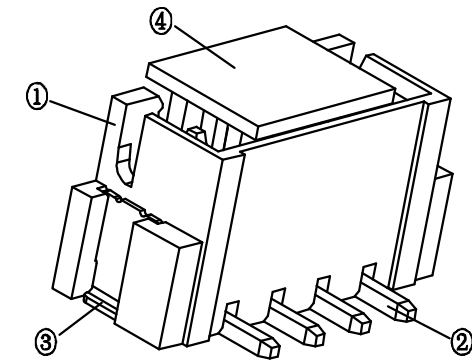
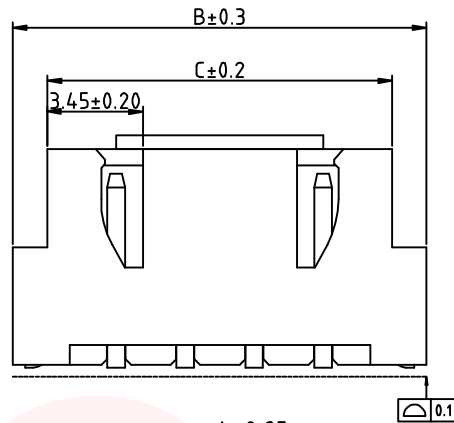
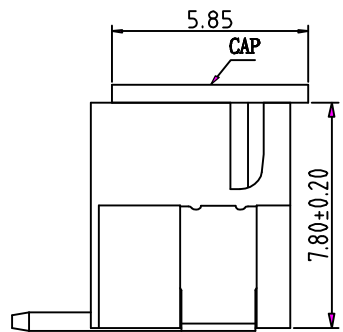
TITLE	WAFER 针座 XH 2.54 卧贴			
DWN	xiong	PART NO. WAFER-254W-NA		
CHKD	lee	SCALE:1:1	UNIT: mm	
APVD	wang	SIZE: A4	SHEET:10F 1	REV: A4

CUSTOMER COPY

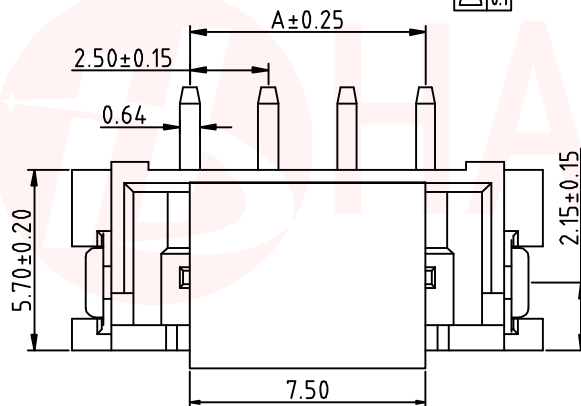
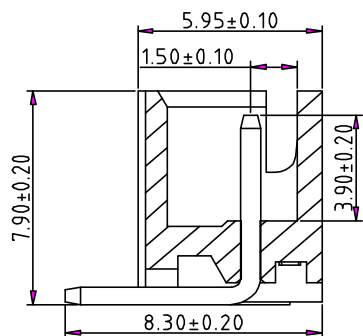


REV.	ECN NO OR DESCRIPTION	REVISED	DATE

A



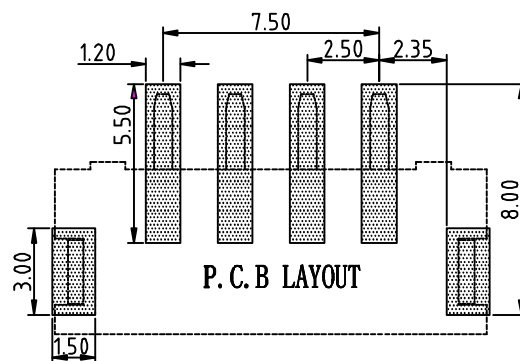
B



Pin	A	B	C
2A	2.50	10.00	7.50
3A	5.00	12.50	10.00
4A	7.50	15.00	12.50
5A	10.00	17.50	15.00
6A	12.50	20.00	17.50
7A	15.00	22.50	20.00
8A	17.50	25.00	22.50
9A	20.00	27.50	25.00
10A	22.50	30.00	27.50
11A	25.00	32.50	30.00
12A	27.50	35.00	32.50
13A	30.00	37.50	35.00
14A	32.50	40.00	37.50
15A	35.00	42.50	40.00
16A	37.50	45.00	42.50

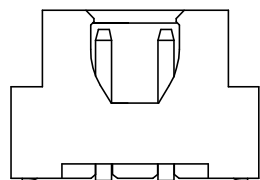
技术参数  
 间距: 2.5  
 温度范围: -25~+85°C  
 额定电压: 250V AC, DC  
 额定电流: 3.0A AC, DC  
 接触电阻: ≤20mΩ  
 绝缘电阻: 800MΩ  
 耐压: 1000V AC/minute

C



1. 塑件表面应光洁、无毛边、无明显收缩、缺陷、裂纹等现象。
2. 锁扣窗口: 2~3PIN为1个, ≥4PIN为2个。
3. 不同PIN位吸盖加入/取出力有差异, 实属正常现象。

D



2PIN结构

UNLESS OTHERWISE SPECIFIED TOLERANCES

DECIMALS: ANGLES:  
 X :±0.20 X :±2°  
 X.X :±0.10 X.X :±1°  
 X.XX :±0.05



东莞市汉博电子科技有限公司  
 DONGGUAN HANBO TECHNOLOGY CO., LTD

TITLE	WAFER 针座 XH 2.54立贴			
DWN	xiong	PART NO. WAFER-254L-NA		
CHKD	lee	SCALE:1:1	UNIT: mm	④
APVD	wang	SIZE: A4	SHEET:10F 1	REV: A4

CUSTOMER COPY

1

2

3

4

5

6

## X-ON Electronics

Largest Supplier of Electrical and Electronic Components

*Click to view similar products for [Headers & Wire Housings](#) category:*

*Click to view products by [Hanbo Electronic](#) manufacturer:*

Other Similar products are found below :

[0015917161](#) [0022155065](#) [57102-F02-18ULF](#) [58102-G61-06LF](#) [582553-1](#) [01.001.5753.1](#) [0050291907](#) [02.125.8002.8](#) [609-3404](#) [61062-3](#)  
[CSU011177004](#) [622-0430](#) [622-3653LF](#) [63453-116](#) [636-1030](#) [636-1427](#) [636-3427](#) [636-4007](#) [641938-9](#) [65495-038](#) [65692-001LF](#) [65781-018](#)  
[65781-047](#) [65817-010LF](#) [65817-015LF](#) [67095-007LF](#) [67601157](#) [68631-112](#) [68645-018](#) [699319-000](#) [70.362.1628.0](#) [70-4210](#) [70-4226B](#) [70-](#)  
[4853B](#) [71.350.2428.0](#) [733-134](#) [733-162](#) [760-3052](#) [MHR-64-VUAL](#) [80.063.4001.1](#) [800-90-001-10-001000](#) [801-43-002-10-013000](#)  
[801-43-006-10-002000](#) [803-43-024-10-001000](#) [803-93-012-10-001000](#) [8-1437020-4](#) [819-22-004-30-001101](#) [820-22-006-30-001101](#)  
[820-22-008-30-001101](#) [821-22-002-10-001101](#)