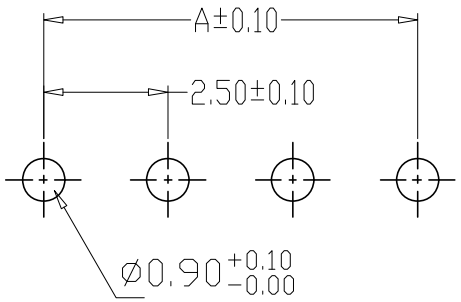
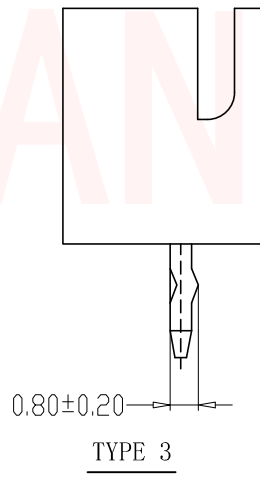
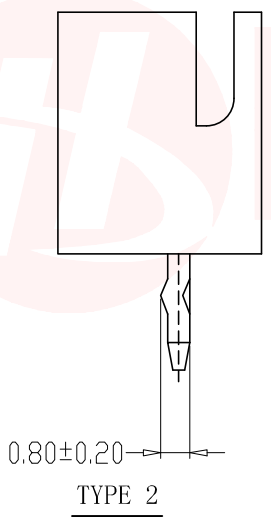
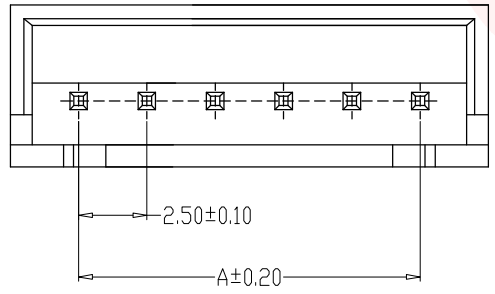
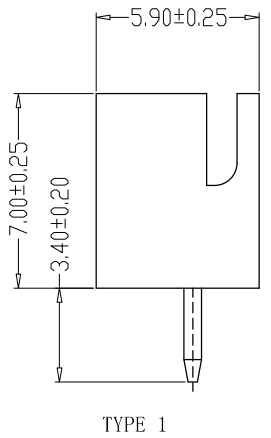
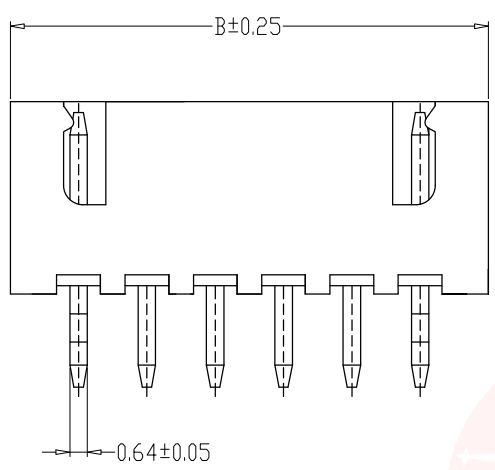




| | | | |
|------|-----------------------|---------|------|
| REV. | ECN NO OR DESCRIPTION | REVISED | DATE |
| | | | |



PCB LAYOUT

SPECIFICATIONS

- 1、Current Rating: 3A AC, DC
- 2、Voltage Rating: 250V AC, DC
- 3、Temperatuer Range: -25°C ~ +85°C
- 4、Contact Resistance: 20mΩ Max
- 5、Insulation Resistance: 1000MΩ Min
- 6、Withstanding Voltang: 1000V AC/minute
- 7、Material: Wafer Nylon66, UL94V-0
PIN Brass Tin-plated

TABLE:

| CSG PART NO. | Dimension mm | | |
|------------------|--------------|-------|-------|
| | PIN | A | B |
| WAFER-XH254Z-2A | 2P | 2.50 | 7.50 |
| WAFER-XH254Z-3A | 3P | 5.00 | 10.00 |
| WAFER-XH254Z-4A | 4P | 7.50 | 12.50 |
| WAFER-XH254Z-5A | 5P | 10.00 | 15.00 |
| WAFER-XH254Z-6A | 6P | 12.50 | 17.50 |
| WAFER-XH254Z-7A | 7P | 15.00 | 20.00 |
| WAFER-XH254Z-8A | 8P | 17.50 | 22.50 |
| WAFER-XH254Z-9A | 9P | 20.00 | 25.00 |
| WAFER-XH254Z-10A | 10P | 22.50 | 27.50 |
| WAFER-XH254Z-11A | 11P | 25.00 | 30.00 |
| WAFER-XH254Z-12A | 12P | 27.50 | 32.50 |
| WAFER-XH254Z-20A | 20P | 47.50 | 52.50 |

| | | | | | |
|---|------------|---|--|------------------------------------|---------|
| 序号 | 名称 | 材料 | 电镀 (锡): 整个表面镀底镍 30U"MIN 再镀锡80U" MIN | | |
| 1 | 端子/Contact | 黄铜 | 白色 | | |
| 2 | 基座/Wafer | LCP/PA66 (UL94V-0) | 白色 | | |
| UNLESS OTHERWISE SPECIFIED TOLERANCES | | 东莞市汉博电子科技有限公司 DONGGUAN HANBO TECHNOLOGY CO., LTD | | | |
| DECIMALS: X :±0.20 X.X :±0.10 X.XX :±0.05 | | ANGLES: X :±2° X.X :±1° | | TITLE: WAFER HA 2.54MM 直针 DIP TYPE | |
| DWN | | xiong | PART NO. WAFER-XH254Z-NA | | |
| CHKD | | lee | SCALE: 1:1 | UNIT: mm | |
| APVD | | wang | SIZE: A4 | SHEET: 10F 1 | REV: A4 |
| CUSTOMER COPY | | | | | |

X-ON Electronics

Largest Supplier of Electrical and Electronic Components

Click to view similar products for [Headers & Wire Housings](#) category:

Click to view products by [Hanbo Electronic](#) manufacturer:

Other Similar products are found below :

[57102-F02-18ULF](#) [58102-G61-06LF](#) [582553-1](#) [009176003701906](#) [01.001.5753.1](#) [0050291907](#) [02.125.8002.8](#) [609-3404](#) [61062-3](#)
[CSU011177004](#) [622-0430](#) [622-3653LF](#) [63453-116](#) [636-1030](#) [636-1427](#) [636-3427](#) [636-4007](#) [641938-9](#) [65495-038](#) [65692-001LF](#) [65781-018](#)
[65781-047](#) [65817-010LF](#) [65817-015LF](#) [66207-023LF](#) [67095-007LF](#) [67601157](#) [68631-112](#) [68645-018](#) [699319-000](#) [M90C108951C](#)
[70.362.1628.0](#) [70-4210](#) [70-4226B](#) [70-4853B](#) [707-5028](#) [71.350.2428.0](#) [71961-016LF](#) [733-134](#) [733-162](#) [754199-000](#) [760-3052](#) [80.063.4001.1](#)
[800-90-001-10-001000](#) [800-90-010-10-002000](#) [801-43-002-10-013000](#) [801-43-006-10-002000](#) [803-41-018-10-001000](#) [803-43-024-10-](#)
[001000](#) [803-93-012-10-001000](#)