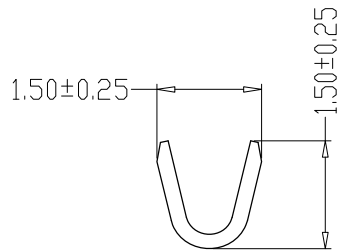
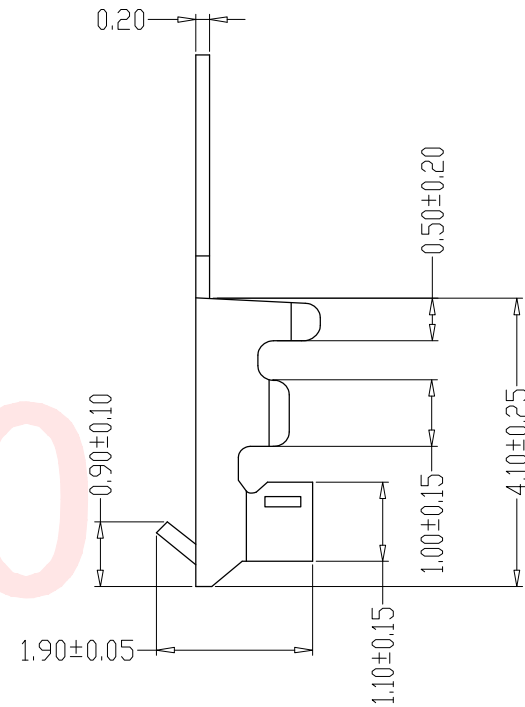
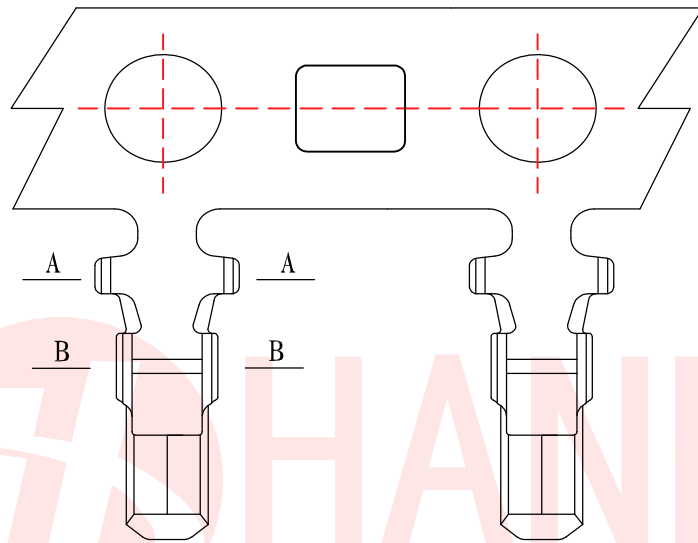
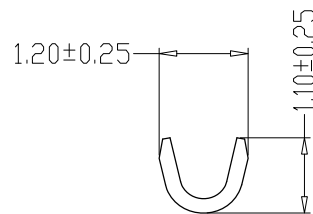




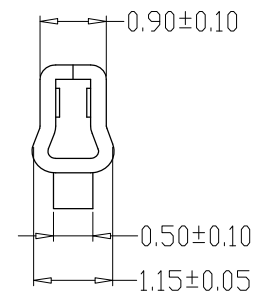
REV.	ECN NO OR DESCRIPTION	REVISED	DATE



SEC:A-A



SEC:B-B



SPECIFICATIONS

- 1、Current Rating: 1A AC, DC
- 2、Voltage Rating: 100V AC, DC
- 3、Temperatuer Range: -25°C~+85°C
- 4、Contact Resistance: 20mΩ Max
- 5、Insulation Resistance: 500MΩ Min
- 6、Withstanding Voltang: 500V AC/minute
- 7、Material:Phosphoric bronze Tin-plated
- 8、Applicable Wire Sizes:AWG#26~32#

UNLESS OTHERWISE SPECIFIED TOLERANCES

DECIMALS:	ANGLES:
X :±0.20	X :±2°
X.X :±0.10	X.X :±1°
X.XX :±0.05	

东莞市汉博电子科技有限公司
DONGGUAN HANBO TECHNOLOGY CO., LTD

TITLE		WAFER ZH 1.5端子		
DWN	xiong	PART NO. WAFER-ZH150DZ		
CHKD	lee	SCALE:1:1	UNIT: mm	
APVD	wang	SIZE: A4	SHEET:10F 1	REV: A4

CUSTOMER COPY



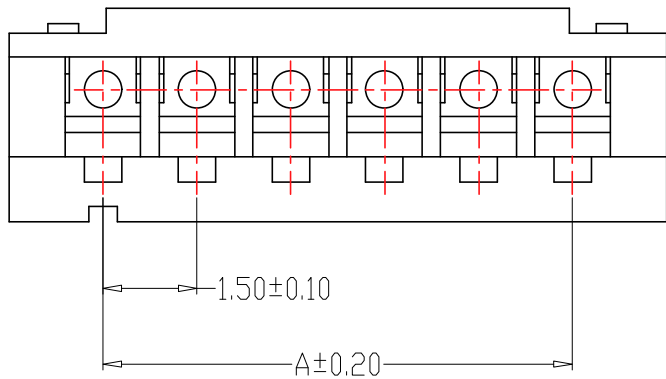
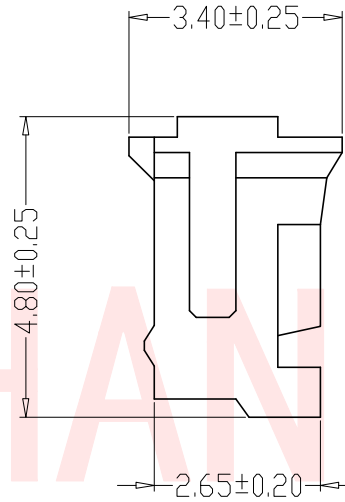
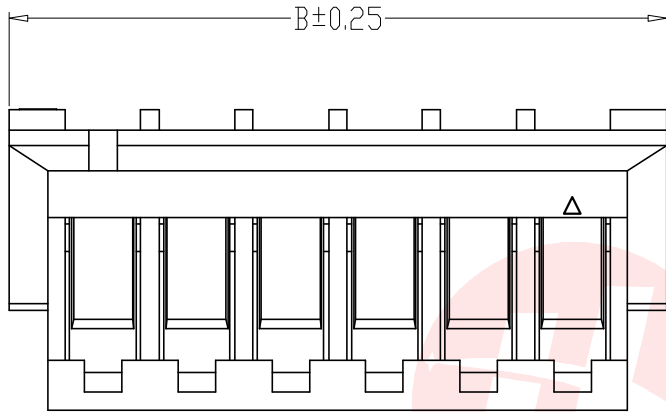
REV.	ECN NO OR DESCRIPTION	REVISED	DATE

SPECIFICATIONS

- 1、Current Rating: 1A AC, DC
- 2、Voltage Rating: 100V AC, DC
- 3、Temperatuer Range: -25°C~+85°C
- 4、Contact Resistance: 20mΩ Max
- 5、Insulation Resistance: 500MΩ Min
- 6、Withstanding Voltang: 500V AC/minute
- 7、Material:Housing:Nylon66, UL94V-0

TABLE:

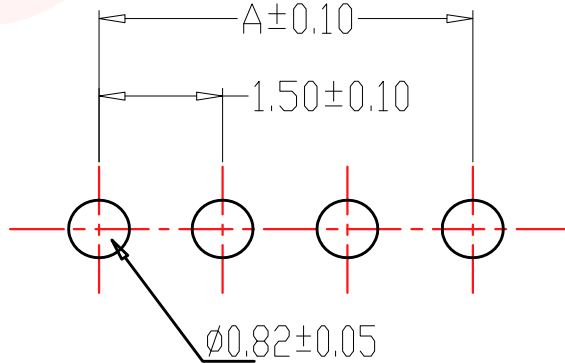
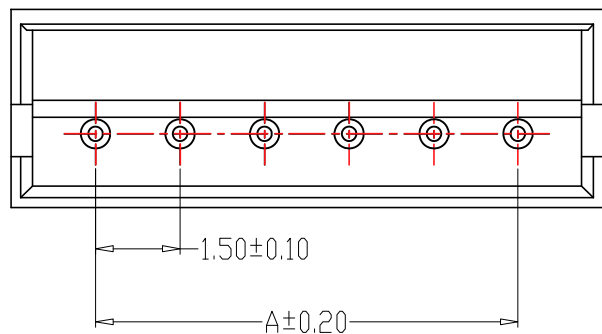
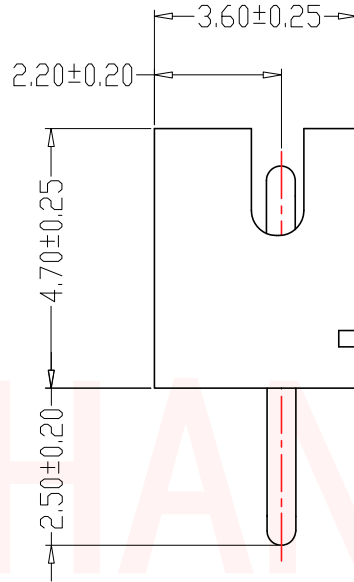
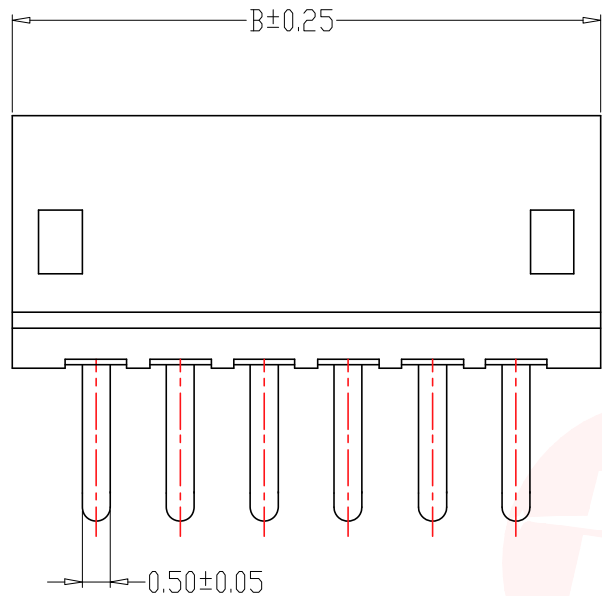
CSG PART NO.	PIN位	A	B
WAFER-ZH150JK-2A	2PIN	1.50	4.50
WAFER-ZH150JK-3A	3PIN	3.00	6.00
WAFER-ZH150JK-4A	4PIN	4.50	7.50
WAFER-ZH150JK-5A	5PIN	6.00	9.00
WAFER-ZH150JK-6A	6PIN	7.50	10.50
WAFER-ZH150JK-7A	7PIN	9.00	12.00
WAFER-ZH150JK-8A	8PIN	10.50	13.50
WAFER-ZH150JK-9A	9PIN	12.00	15.00
WAFER-ZH150JK-10A	10PIN	13.50	16.50
WAFER-ZH150JK-11A	11PIN	15.00	18.00
WAFER-ZH150JK-12A	12PIN	16.50	19.50



UNLESS OTHERWISE SPECIFIED TOLERANCES		东莞市汉博电子科技有限公司 DONGGUAN HANBO TECHNOLOGY CO., LTD			
DECIMALS:	ANGLES:	TITLE	WAFER ZH 1.5胶壳		
X :±0.20	X :±2°	DWN	xiong	PART NO. WAFER-ZH150JK-NA	
X.X :±0.10	X.X :±1°	CHKD	lee	SCALE:1:1	UNIT: mm
X.XX :±0.05		APVD	wang	SIZE: A4	SHEET:10F 1
		REV: A4			
CUSTOMER COPY					



REV.	ECN NO OR DESCRIPTION	REVISED	DATE



PCB LAYOUT

SPECIFICATIONS

- 1、Current Rating: 1A AC, DC
- 2、Voltage Rating: 100V AC, DC
- 3、Temperatuer Range: -25°C~+85°C
- 4、Contact Resistance: 20mΩ Max
- 5、Insulation Resistance: 500MΩ Min
- 6、Withstanding Voltang: 500V AC/minute
- 7、Material: Wafer PBT/PA46 White/Beige, UL94V-0
PIN Brass Tin-plated

TABLE:

CSG PART NO.	Dimension mm		
	PIN	A	B
WAFER-ZH150Z-2A	2P	1.50	4.50
WAFER-ZH150Z-3A	3P	3.00	6.00
WAFER-ZH150Z-4A	4P	4.50	7.50
WAFER-ZH150Z-5A	5P	6.00	9.00
WAFER-ZH150Z-6A	6P	7.50	10.50
WAFER-ZH150Z-7A	7P	9.00	12.00
WAFER-ZH150Z-8A	8P	10.50	13.50
WAFER-ZH150Z-9A	9P	12.00	15.00
WAFER-ZH150Z-10A	10P	13.50	16.50
WAFER-ZH150Z-11A	11P	15.00	18.00
WAFER-ZH150Z-12A	12P	16.50	19.50
WAFER-ZH150Z-16A	16P	22.50	25.50
WAFER-ZH150Z-20A	20P	28.50	31.50

UNLESS OTHERWISE SPECIFIED TOLERANCES

DECIMALS: ANGLES:
 X :±0.25 X :±2°
 X.X :±0.20 X.X :±1°
 X.XX :±0.15



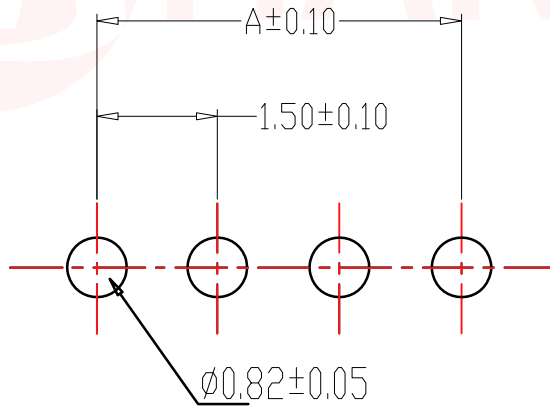
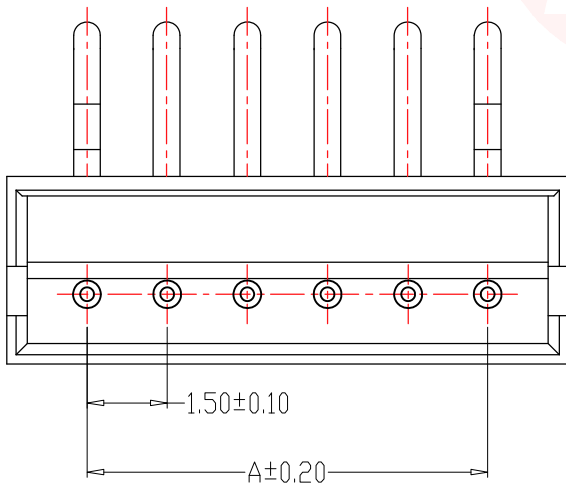
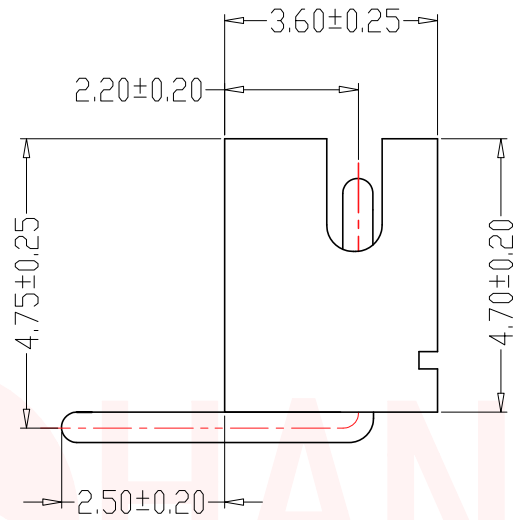
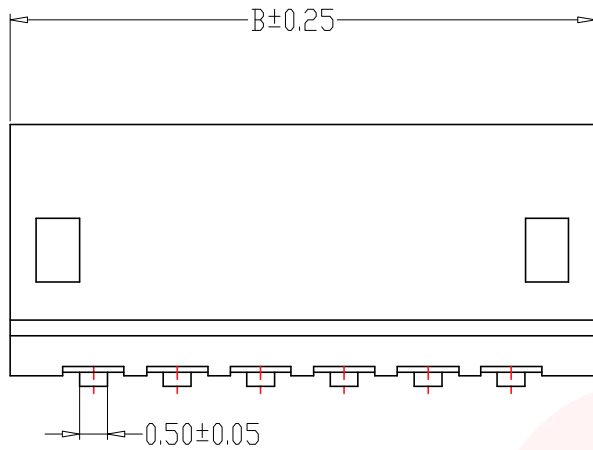
东莞市汉博电子科技有限公司
 DONGGUAN HANBO TECHNOLOGY CO., LTD

TITLE	WAFER ZH 1.50MM 直针 DIP TYPE			
DWN	xiong	PART NO. WAFER-ZH150Z-NA		
CHKD	lee	SCALE:1:1	UNIT: mm	
APVD	wang	SIZE: A4	SHEET:10F 1	REV: A4

CUSTOMER COPY



REV.	ECN NO OR DESCRIPTION	REVISED	DATE



PCB LAYOUT

SPECIFICATIONS

- 1、Current Rating: 1A AC, DC
- 2、Voltage Rating: 100V AC, DC
- 3、Temperatuer Range: -25°C ~ +85°C
- 4、Contact Resistance: 20mΩ Max
- 5、Insulation Resistance: 500MΩ Min
- 6、Withstanding Voltang: 500V AC/minute
- 7、Material: Wafer PBT/PA46 White/Beige, UL94V-0
PIN Brass Tin-plated

TABLE:

CSG PART NO.	Dimension mm		
	PIN	A	B
WAFER-ZH150WZ-2A	2P	1.50	4.50
WAFER-ZH150WZ-3A	3P	3.00	6.00
WAFER-ZH150WZ-4A	4P	4.50	7.50
WAFER-ZH150WZ-5A	5P	6.00	9.00
WAFER-ZH150WZ-6A	6P	7.50	10.50
WAFER-ZH150WZ-7A	7P	9.00	12.00
WAFER-ZH150WZ-8A	8P	10.50	13.50
WAFER-ZH150WZ-9A	9P	12.00	15.00
WAFER-ZH150WZ-10A	10P	13.50	16.50
WAFER-ZH150WZ-11A	11P	15.00	18.00
WAFER-ZH150WZ-12A	12P	16.50	19.50
WAFER-ZH150WZ-16A	16P	22.50	25.50
WAFER-ZH150WZ-20A	20P	28.50	31.50

UNLESS OTHERWISE SPECIFIED TOLERANCES

DECIMALS: ANGLES:
 X :±0.25 X :±2°
 X.X :±0.20 X.X :±1°
 X.XX :±0.15



东莞市汉博电子科技有限公司
 DONGGUAN HANBO TECHNOLOGY CO., LTD

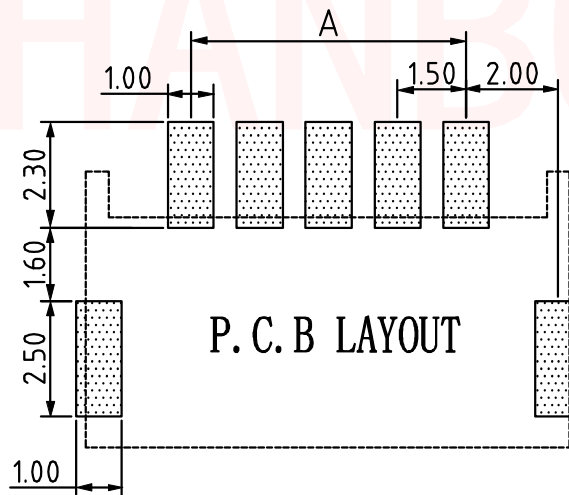
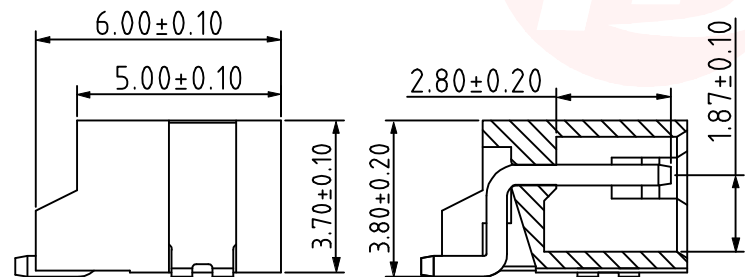
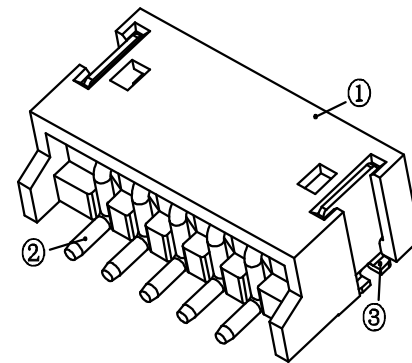
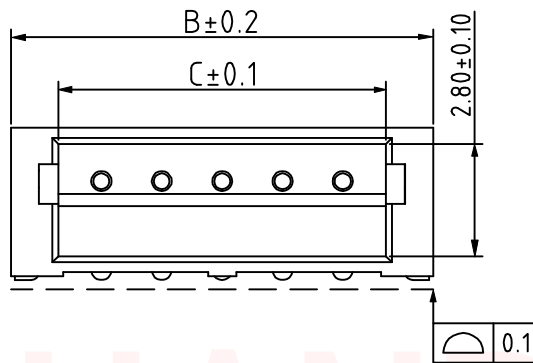
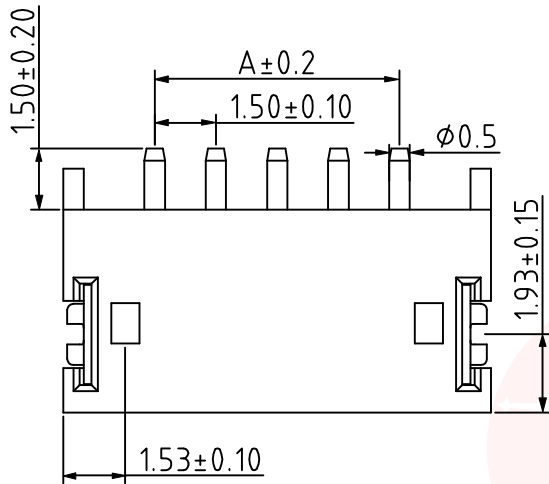
TITLE	WAFER ZH 1.50MM 弯针 DIP TYPE		
DWN	xiong	PART NO. WAFER-ZH150WZ-NA	
CHKD	lee	SCALE:1:1	UNIT: mm
APVD	wang	SIZE: A4	SHEET:10F 1

CUSTOMER COPY

A
B
C
D



REV.	ECN NO OR DESCRIPTION	REVISED	DATE



Pin	A	B	C
2A	1.50	6.00	3.65
3A	3.00	7.50	5.15
4A	4.50	9.00	6.65
5A	6.00	10.50	8.15
6A	7.50	12.00	9.65
7A	9.00	13.50	11.15
8A	10.50	15.00	12.65
9A	12.00	16.50	14.15
10A	13.50	18.00	15.65
11A	15.00	19.50	17.15
12A	16.50	21.00	18.65
13A	18.00	22.50	20.15
14A	19.50	24.00	21.65
15A	21.00	25.50	23.15
16A	22.50	27.00	24.65

技术参数

间距: 1.5

温度范围: -25~+85°C

额定电压: 250V AC, DC

额定电流: 1.0A AC, DC

接触电阻: 20mΩ

绝缘电阻: 500MΩ

耐压: 500V AC/minute

UNLESS OTHERWISE SPECIFIED TOLERANCES

DECIMALS: X :±0.35 X.X :±0.25 X.XX :±0.15
 ANGLES: X :±2° X.X :±1°



东莞市汉博电子科技有限公司
 DONGGUAN HANBO TECHNOLOGY CO., LTD

TITLE	WAFER 针座 1.5 卧贴			
DWN	xiong	PART NO. WAFER-150W-NA		
CHKD	lee	SCALE:1:1	UNIT: mm	
APVD	wang	SIZE: A4	SHEET:10F 1	REV: A4
CUSTOMER COPY				



REV.	ECN NO OR DESCRIPTION	REVISED	DATE

A

B

C

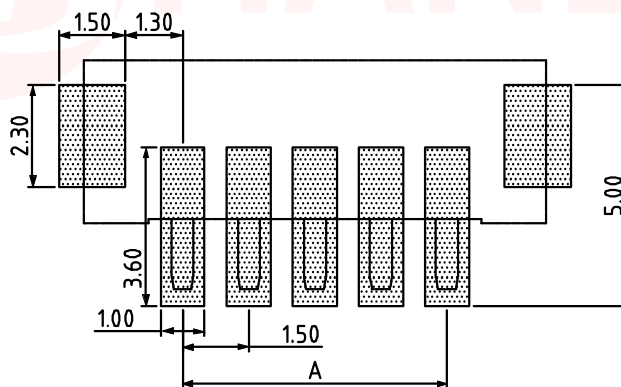
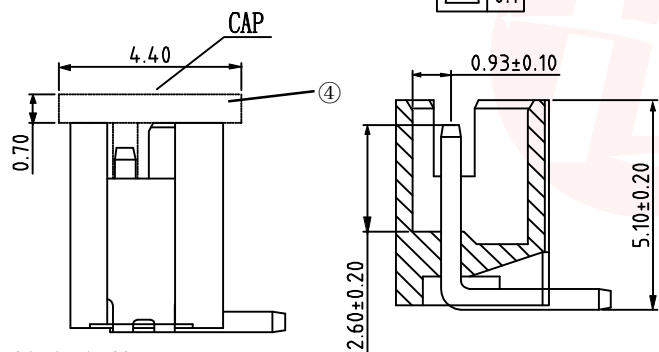
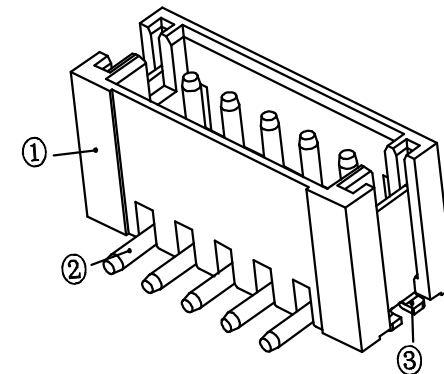
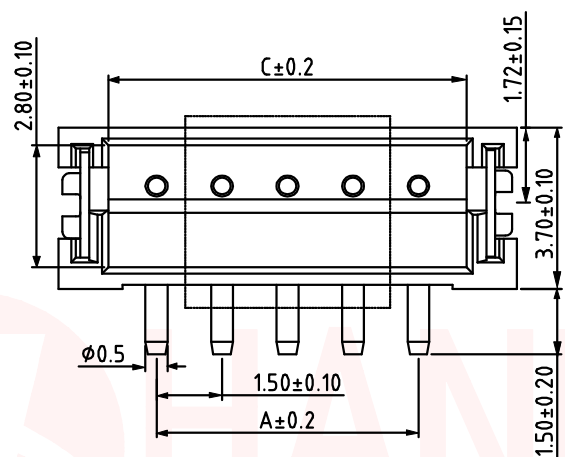
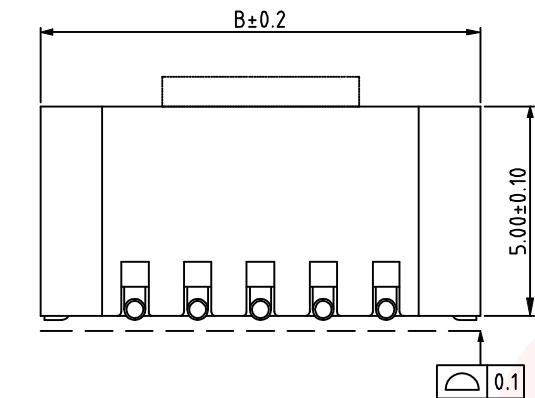
D

A

B

C

D



P. C. B LAYOUT

Pin	A	B	C
2A	1.50	6.00	3.65
3A	3.00	7.50	5.15
4A	4.50	9.00	6.65
5A	6.00	10.50	8.15
6A	7.50	12.00	9.65
7A	9.00	13.50	11.15
8A	10.50	15.00	12.65
9A	12.00	16.50	14.15
10A	13.50	18.00	15.65
11A	15.00	19.50	17.15
12A	16.50	21.00	18.65
13A	18.00	22.50	20.15
14A	19.50	24.00	21.65
15A	21.00	25.50	23.15
16A	22.50	27.00	24.65

技术参数

间距: 1.5

温度范围: -25~+85°C

额定电压: 250V AC, DC

额定电流: 1.0A AC, DC

接触电阻: 20mΩ

绝缘电阻: 500MΩ

耐压: 500V AC/minute

1. 塑件表面应光洁、无毛边、无明显收缩、缺陷、裂纹等现象。
2. 锁扣窗口: 2~3PIN为1个, ≥4PIN为2个。
3. 不同PIN位吸盖加入/取出力有差异, 实属正常现象。

UNLESS OTHERWISE SPECIFIED TOLERANCES

DECIMALS: X :±0.35 X.X :±0.25 X.XX :±0.15

ANGLES: X :±2° X.X :±1'



东莞市汉博电子科技有限公司
DONGGUAN HANBO TECHNOLOGY CO., LTD

TITLE	WAFER 针座 1.5立贴			
DWN	xiong	PART NO. WAFER-150L-NA		
CHKD	lee	SCALE:1:1	UNIT: mm	
APVD	wang	SIZE: A4	SHEET:10F 1	REV: A4

CUSTOMER COPY

1

2

3

4

5

6

X-ON Electronics

Largest Supplier of Electrical and Electronic Components

Click to view similar products for [Headers & Wire Housings](#) category:

Click to view products by [Hanbo Electronic](#) manufacturer:

Other Similar products are found below :

[0015917161](#) [0022155065](#) [57102-F02-18ULF](#) [58102-G61-06LF](#) [582553-1](#) [01.001.5753.1](#) [0050291907](#) [02.125.8002.8](#) [609-3404](#) [61062-3](#)
[CSU011177004](#) [622-0430](#) [622-3653LF](#) [63453-116](#) [636-1030](#) [636-1427](#) [636-3427](#) [636-4007](#) [641938-9](#) [65495-038](#) [65692-001LF](#) [65781-018](#)
[65781-047](#) [65817-010LF](#) [65817-015LF](#) [67095-007LF](#) [67601157](#) [68631-112](#) [68645-018](#) [699319-000](#) [70.362.1628.0](#) [70-4210](#) [70-4226B](#) [70-](#)
[4853B](#) [71.350.2428.0](#) [733-134](#) [733-162](#) [760-3052](#) [MHR-64-VUAL](#) [80.063.4001.1](#) [800-90-001-10-001000](#) [801-43-002-10-013000](#)
[801-43-006-10-002000](#) [803-43-024-10-001000](#) [803-93-012-10-001000](#) [8-1437020-4](#) [819-22-004-30-001101](#) [820-22-006-30-001101](#)
[820-22-008-30-001101](#) [821-22-002-10-001101](#)