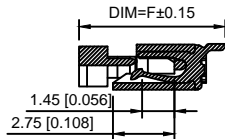
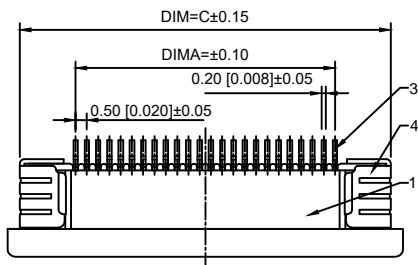
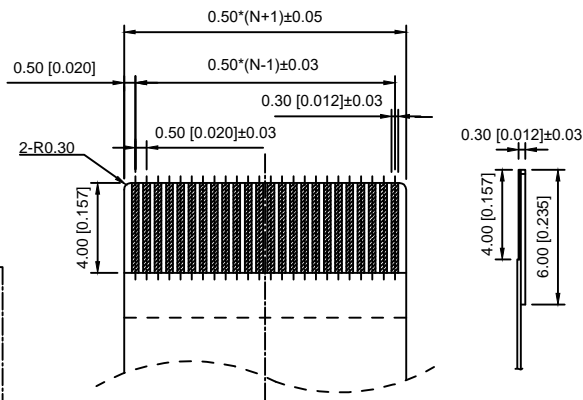
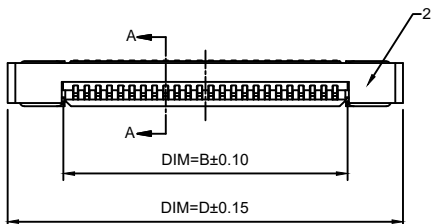


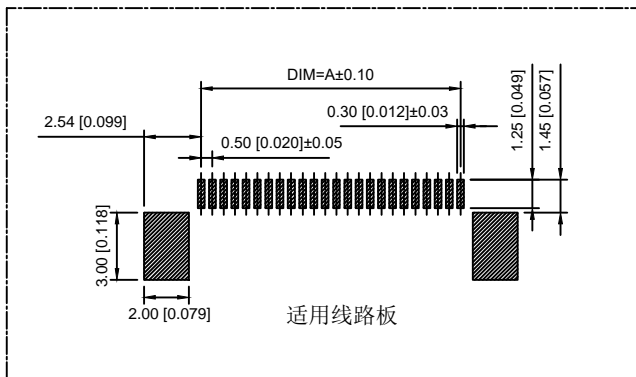
**Electrical Characteristics:**  
 Current rating:0.4A AC/DC  
 Voltage rating:50V AC/DC  
 Temperature range: -25℃~+85℃  
 Withstand Voltage:200V  
 AC/Minute  
 Contact Resistance: ≤20mΩ  
 Insulation resistance: ≥500MΩ



SECTION A-A



适用扁平线



| 编号 | 尺寸 (mm) |       |       |       |      |      | 编号 | 尺寸 (mm) |       |       |       |      |      |
|----|---------|-------|-------|-------|------|------|----|---------|-------|-------|-------|------|------|
|    | A       | B     | C     | D     | E    | F    |    | A       | B     | C     | D     | E    | F    |
| 4  | 1.50    | 2.60  | 6.46  | 7.56  | 5.20 | 6.50 | 35 | 17.06   | 18.16 | 22.02 | 23.12 | 5.70 | 7.00 |
| 5  | 2.00    | 3.10  | 6.96  | 8.06  |      |      | 36 | 17.57   | 18.66 | 22.53 | 23.62 |      |      |
| 6  | 2.51    | 3.60  | 7.47  | 8.56  |      |      | 37 | 18.07   | 19.16 | 23.03 | 24.12 |      |      |
| 7  | 3.01    | 4.10  | 7.97  | 9.06  |      |      | 38 | 18.57   | 19.66 | 23.53 | 24.62 |      |      |
| 8  | 3.51    | 4.60  | 8.47  | 9.56  |      |      | 39 | 19.07   | 20.17 | 24.03 | 25.13 |      |      |
| 9  | 4.01    | 5.11  | 8.97  | 10.07 |      |      | 40 | 19.57   | 20.67 | 24.53 | 25.63 |      |      |
| 10 | 4.51    | 5.61  | 9.47  | 10.57 |      |      | 41 | 20.08   | 21.17 | 25.04 | 26.13 |      |      |
| 11 | 5.02    | 6.11  | 9.98  | 11.07 |      |      | 42 | 20.58   | 21.67 | 25.54 | 26.63 |      |      |
| 12 | 5.52    | 6.61  | 10.48 | 11.57 |      |      | 43 | 21.08   | 22.17 | 26.04 | 27.13 |      |      |
| 13 | 6.02    | 7.11  | 10.98 | 12.07 |      |      | 44 | 21.58   | 22.68 | 26.64 | 27.64 |      |      |
| 14 | 6.52    | 7.62  | 11.48 | 12.58 |      |      | 45 | 22.08   | 23.18 | 27.04 | 28.14 |      |      |
| 15 | 7.02    | 8.12  | 11.98 | 13.08 |      |      | 46 | 22.59   | 23.68 | 27.55 | 28.64 |      |      |
| 16 | 7.53    | 8.62  | 12.49 | 13.58 |      |      | 47 | 23.09   | 24.18 | 28.05 | 29.14 |      |      |
| 17 | 8.03    | 9.12  | 12.99 | 14.08 |      |      | 48 | 23.59   | 24.68 | 28.55 | 29.64 |      |      |
| 18 | 8.53    | 9.62  | 13.49 | 14.58 |      |      | 49 | 24.09   | 25.19 | 29.05 | 30.15 |      |      |
| 19 | 9.03    | 10.13 | 13.99 | 15.09 |      |      | 50 | 24.59   | 25.69 | 29.55 | 30.65 |      |      |
| 20 | 9.53    | 10.63 | 14.49 | 15.59 |      |      | 51 | 25.10   | 26.19 | 30.06 | 31.15 |      |      |
| 21 | 10.00   | 11.13 | 15.00 | 16.09 |      |      | 52 | 25.60   | 26.69 | 30.56 | 31.65 |      |      |
| 22 | 10.54   | 11.63 | 15.50 | 16.59 |      |      | 53 | 26.10   | 27.19 | 31.06 | 32.15 |      |      |
| 23 | 11.04   | 12.13 | 16.00 | 17.09 |      |      | 54 | 26.60   | 27.70 | 31.66 | 32.65 |      |      |
| 24 | 11.54   | 12.64 | 16.50 | 17.60 |      |      | 55 | 27.10   | 28.20 | 32.06 | 33.16 |      |      |
| 25 | 12.04   | 13.14 | 17.00 | 18.10 |      |      | 56 | 27.61   | 28.70 | 32.57 | 33.66 |      |      |
| 26 | 12.55   | 13.64 | 17.51 | 18.60 |      |      | 57 | 28.11   | 29.20 | 33.07 | 34.16 |      |      |
| 27 | 13.05   | 14.14 | 18.01 | 19.10 |      |      | 58 | 28.61   | 29.70 | 33.57 | 34.66 |      |      |
| 28 | 13.55   | 14.64 | 18.51 | 19.60 |      |      | 59 | 29.11   | 30.21 | 34.07 | 35.17 |      |      |
| 29 | 14.05   | 15.15 | 19.01 | 20.11 |      |      | 60 | 29.61   | 30.71 | 34.57 | 35.67 |      |      |
| 30 | 14.55   | 15.65 | 19.51 | 20.61 |      |      |    |         |       |       |       |      |      |
| 31 | 15.06   | 16.15 | 20.02 | 21.11 |      |      |    |         |       |       |       |      |      |
| 32 | 15.56   | 16.65 | 20.52 | 21.61 |      |      |    |         |       |       |       |      |      |
| 33 | 16.0600 | 17.15 | 21.02 | 22.11 |      |      |    |         |       |       |       |      |      |
| 34 | 16.56   | 17.66 | 21.52 | 22.62 |      |      |    |         |       |       |       |      |      |

| 序号 | 名称 | 数量 | 材料  | 附注      |
|----|----|----|-----|---------|
| 1  | 塑件 | 1  | LCP | 本色      |
| 2  | 锁扣 | 1  | LCP | 本色      |
| 3  | 插簧 | N  | 磷铜  | 镍底, 高亚锡 |
| 4  | 焊片 | 2  | 磷铜  | 镍底, 高亚锡 |

| DESIGNED |  | CHECKED |  | APPROVAL |  | DRAWING NUMBER |  | SCALT: 1/2             |  | SCALE: 3:1   |  |
|----------|--|---------|--|----------|--|----------------|--|------------------------|--|--|--|
| Mikey    |  | Tom     |  | Jerry    |  | PART NAME      |  | 05B20UXXP              |  | UNLESS OTHERWISE SPECIFIED,TOLERANCE:              |  |
|          |  |         |  |          |  | MODEL NAME     |  | 05B20UXXP              |  | X. ±0.25<br>X.x ±0.20<br>X.xx ±0.15<br>ANGULAR ±3° |  |
|          |  |         |  |          |  | 3RD ANGLE PROJ |  | HanElectricity Co.,LTD |  | FILE.NO.   |  |

瀚源

new

2015/5/3

A

ECN BO.

DESCRIPTION.

DATE.

REV.

Mikey

Tom

Jerry

HanElectricity Co.,LTD

FILE.NO.

## X-ON Electronics

Largest Supplier of Electrical and Electronic Components

*Click to view similar products for [FFC & FPC Connectors](#) category:*

*Click to view products by [HanElectricity](#) manufacturer:*

Other Similar products are found below :

[00-6200-227-022-800](#) [006205250500825+](#) [006205280500825+](#) [FPH-1602G](#) [086222026001800](#) [52610-0675](#) [62674-201121DLF](#) [52746-1671-TR250](#) [10051922-1610EHLF](#) [10051922-2810EHLF](#) [686322124422](#) [XF3M-2915-1B-R100](#) [AYF353125A](#) [AYF530665TA](#) [AYF534065TA](#) [20FLH-RSM1-TB](#) [PCA-7F-25-HL-3-G](#) [207356-1](#) [52807-0430](#) [FFC05011-10SBB114W5M](#) [502250-8027](#) [FH28K-40S-0.5SH](#) [200528-0260](#) [FH28K-10S-0.5SH](#) [501951-1250](#) [X05B20U43T](#) [0.5K-DX-30PWB](#) [DS1020-08-10VBT12](#) [THD0515-34CL-GF](#) [X05A10L28G](#) [ECC2841061EU](#) [20539-030E-01](#) [1.0K-DHQX-16PWB](#) [1.0K-DHQX-30PWB](#) [1775333-6](#) [10054365-202110ELF](#) [10054365-242110ELF](#) [10054365-282110ELF](#) [10064555-392220HLF](#) [59453-041110EBHLF](#) [59453-091110EDHLF](#) [62674-241141ALF](#) [62684-432100ALF](#) [62684-451100AHLF](#) [62684-5721N0ALF](#) [HFW11R-1STE1MTLF](#) [HFW12R-1STE9LF](#) [HFW14R-1STE9MTLF](#) [HFW18S-2STE9LF](#) [HFW20R-1STAE1HLF](#)