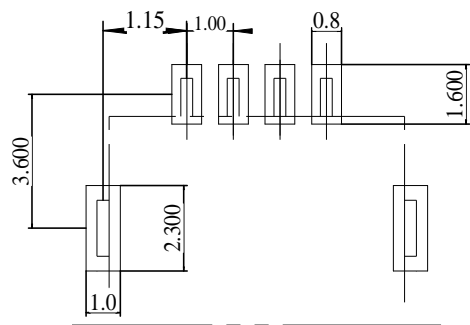
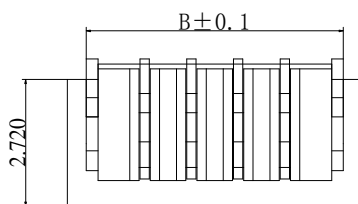


适应基板厚度: 1.2mm~1.6mm  
 温度范围: -25℃~85℃  
 额定电压: 125V AC/DC  
 额定电流: 1A  
 接触电阻: ≤0.02 Ω  
 绝缘电阻: ≥100M Ω  
 耐压: 500V AC/minute



PCB LAYOUT



1. 0卧式贴片	A-(mm)	B-(mm)	C-(mm)
2P	1.00mm	3.50mm	4.30mm
3P	2.00mm	4.50mm	5.30mm
4P	3.00mm	5.50mm	6.30mm
5P	4.00mm	6.50mm	7.30mm
6P	5.00mm	7.50mm	8.30mm
7P	6.00mm	8.50mm	9.30mm
8P	7.00mm	9.50mm	10.30mm
9P	8.00mm	10.50mm	11.30mm
10P	9.00mm	11.50mm	12.30mm
11P	10.00mm	12.50mm	13.30mm
12P	11.00mm	13.50mm	14.30mm
13P	12.00mm	14.50mm	15.30mm
14P	13.00mm	15.50mm	16.30mm
15P	14.00mm	16.50mm	17.30mm
16P	15.00mm	17.50mm	18.30mm
17P	16.00mm	18.50mm	19.30mm
18P	17.00mm	19.50mm	20.30mm
19P	18.00mm	20.50mm	21.30mm
20P	19.00mm	21.50mm	22.30mm

1002WRS-XXEP	LCP UL94V-0	1002H-E	1002T-E
PART NO	Material	Suitable Housing	Suitable Terminal

3	FITTING NAIL	2 PCS	材质:磷青铜, 电镀:镀亮锡60u~MIN
2	PIN	n PCS	材质:磷青铜, 电镀:镀亮锡60u~MIN
1	Housing	1 PCS	材质:LCP (UL94V-0), 颜色:本色或黑色
NO.	NAME	QTY	DESCRIPTION

ECN BO.		DESCRIPTION.		DATE.	REV.	SCALE: 3:1	
DESIGNED	CHECKED	APPROVAL	DRAWING NUMBER	2015/5/3	A	SCALT: 1/2	SCALE: 3:1
Mikey	Tom	Jerry	PART NAME	1002WRS-XXEP	UNLESS OTHERWISE SPECIFIED, TOLERANCE:	X.	±0.25
			MODEL NAME	H-1002WRS-XXEP		X.x	±0.20
			3RD ANGLE PROJ	HanElectricity Co.,LTD		X.xx	±0.15
						ANGULAR	±3°
						FILE.NO.	

瀚源

## X-ON Electronics

Largest Supplier of Electrical and Electronic Components

*Click to view similar products for [Headers & Wire Housings](#) category:*

*Click to view products by [HanElectricity](#) manufacturer:*

Other Similar products are found below :

[0015917161](#) [0022155065](#) [57102-F02-18ULF](#) [58102-G61-06LF](#) [582553-1](#) [01.001.5753.1](#) [0050291907](#) [02.125.8002.8](#) [609-3404](#) [61062-3](#)  
[CSU011177004](#) [622-0430](#) [622-3653LF](#) [63453-116](#) [636-1030](#) [636-1427](#) [636-3427](#) [636-4007](#) [641938-9](#) [65495-038](#) [65692-001LF](#) [65781-018](#)  
[65781-047](#) [65817-010LF](#) [65817-015LF](#) [67095-007LF](#) [67601157](#) [68631-112](#) [68645-018](#) [699319-000](#) [70.362.1628.0](#) [70-4210](#) [70-4226B](#) [70-](#)  
[4853B](#) [71.350.2428.0](#) [733-134](#) [733-162](#) [760-3052](#) [MHR-64-VUAL](#) [80.063.4001.1](#) [800-90-001-10-001000](#) [801-43-002-10-013000](#)  
[801-43-006-10-002000](#) [803-43-024-10-001000](#) [803-93-012-10-001000](#) [8-1437020-4](#) [819-22-004-30-001101](#) [820-22-006-30-001101](#)  
[820-22-008-30-001101](#) [821-22-002-10-001101](#)