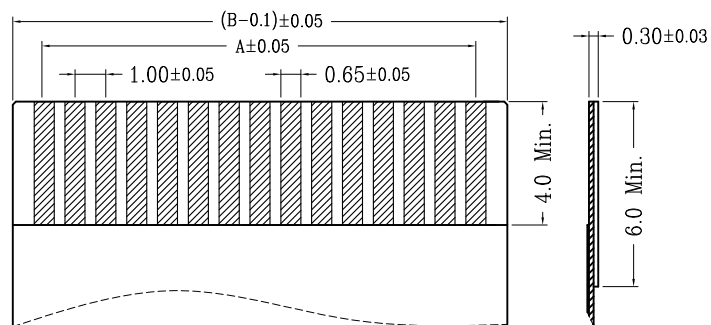
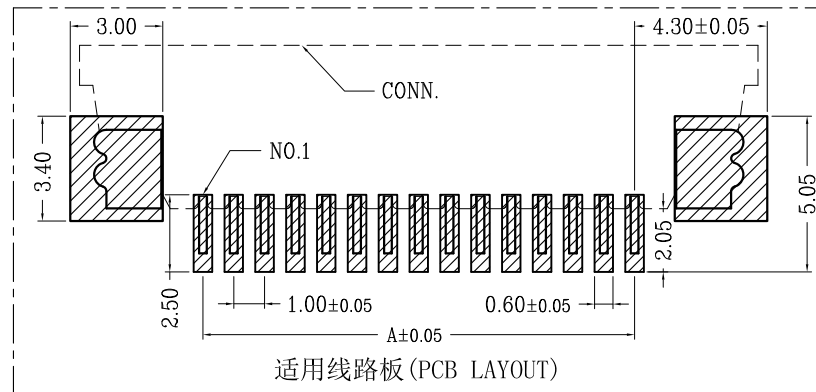
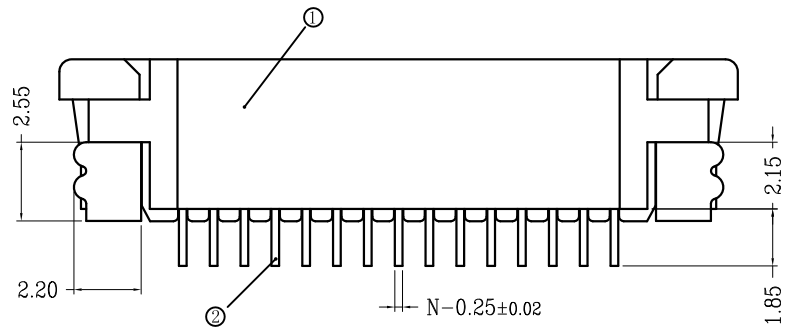


SECTION A-A



适用扁平线(Applicable Flat Cable)

| 序号 | 品名  | 材质  |
|----|---|---|
| ①  | 1.0K型胶芯(H2.5)<br>1.0K Type Housing(H2.5)          | LCP UL94V-0 本色<br><b>Natural</b>            |
| ②  | 1.0K型下接端子(H2.5)<br>1.0K Type Under Terminal(H2.5) | 磷青铜/表面镀锡<br>Phosphor Bronze/<br>Tin Plating |
| ③  | 1.0K型卧式后盖(H2.5)<br>1.0K Type Actuator(H2.5)       | LCP UL94V-0 黑色<br><b>Black</b>              |
| ④  | 1.0K型卧式焊片(H2.5)<br>1.0K Type Fitting Nail(H2.5)   | 黄铜/表面镀锡<br>Brass/Tin Plating                |

| CKT | A     | B     | C     |
|-----|-------|-------|-------|
| 4   | 3.00  | 5.06  | 11.10 |
| 5   | 4.00  | 6.06  | 12.10 |
| 6   | 5.00  | 7.06  | 13.10 |
| 7   | 6.00  | 8.06  | 14.10 |
| 8   | 7.00  | 9.06  | 15.10 |
| 9   | 8.00  | 10.06 | 16.10 |
| 10  | 9.00  | 11.06 | 17.10 |
| 11  | 10.00 | 12.06 | 18.10 |
| 12  | 11.00 | 13.06 | 19.10 |
| 13  | 12.00 | 14.06 | 20.10 |
| 14  | 13.00 | 15.06 | 21.10 |
| 15  | 14.00 | 16.06 | 22.10 |
| 16  | 15.00 | 17.06 | 23.10 |
| 18  | 17.00 | 19.06 | 25.10 |
| 19  | 18.00 | 20.06 | 26.10 |
| 20  | 19.00 | 21.06 | 27.10 |
| 22  | 21.00 | 23.06 | 29.10 |
| 24  | 23.00 | 25.06 | 31.10 |
| 25  | 24.00 | 26.06 | 32.10 |
| 26  | 25.00 | 27.06 | 33.10 |
| 28  | 27.00 | 29.06 | 35.10 |
| 30  | 29.00 | 31.06 | 37.10 |
| 32  | 31.00 | 33.06 | 39.10 |
| 35  | 34.00 | 36.06 | 42.10 |
| 36  | 35.00 | 37.06 | 43.10 |
| 40  | 39.00 | 41.06 | 47.10 |

| ECN BO.  |         | new      |                | 2015/5/3               |  | A                                     |  | 瀚源   |
|----------|---------|----------|----------------|------------------------|--|---------------------------------------|--|--|
| DESIGNED | CHECKED | APPROVAL | DRAWING NUMBER | DATE.                  |  | REV.                                  |  |  |
| Mikey    | Tom     | Jerry    |                | 10B25LXXP              |  | UNLESS OTHERWISE SPECIFIED,TOLERANCE: |  | X. ±0.25<br>X.x ±0.20<br>X.xx ±0.15<br>ANGULAR ±3° |
|          |         |          | 3RD ANGLE PROJ | HanElectricity Co.,LTD |  | SCALE: 1/2                            |  | SCALE: 3:1   |
|          |         |          |                |                        |  | FILE.NO.                              |  |  |

## X-ON Electronics

Largest Supplier of Electrical and Electronic Components

*Click to view similar products for [FFC & FPC Connectors](#) category:*

*Click to view products by [HanElectricity](#) manufacturer:*

Other Similar products are found below :

[00-6200-227-022-800](#) [006205250500825+](#) [006205280500825+](#) [FPH-1602G](#) [086222026001800](#) [52610-0675](#) [62674-201121DLF](#) [52746-1671-TR250](#) [10051922-1610EHLF](#) [10051922-2810EHLF](#) [686322124422](#) [XF3M-2915-1B-R100](#) [AYF353125A](#) [AYF530665TA](#) [AYF534065TA](#) [20FLH-RSM1-TB](#) [PCA-7F-25-HL-3-G](#) [207356-1](#) [52807-0430](#) [502250-8027](#) [FH28K-40S-0.5SH](#) [200528-0260](#) [FH28K-10S-0.5SH](#) [501951-1250](#) [X05B20U43T](#) [0.5K-DX-30PWB](#) [DS1020-08-10VBT12](#) [THD0515-34CL-GF](#) [X05A10L28G](#) [ECC2841061EU](#) [20539-030E-01](#) [1.0K-DHGX-16PWB](#) [1.0K-DHGX-30PWB](#) [1775333-6](#) [10054365-202110ELF](#) [10054365-242110ELF](#) [10054365-282110ELF](#) [10064555-392220HLF](#) [59453-041110EBHLF](#) [59453-091110EDHLF](#) [62674-241141ALF](#) [62684-432100ALF](#) [62684-451100AHLF](#) [62684-5721N0ALF](#) [HFW11R-1STE1MTLF](#) [HFW12R-1STE9LF](#) [HFW14R-1STE9MTLF](#) [HFW18S-2STE9LF](#) [HFW20R-1STAE1HLF](#) [HFW20R-1STE1MTLF](#)