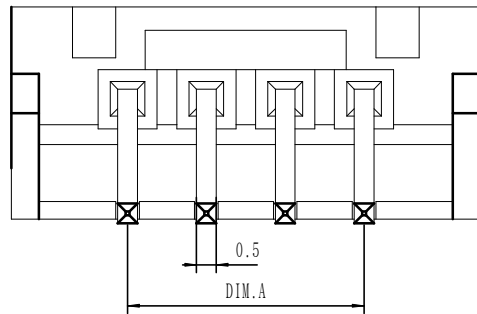


Recommended PCB Layout
TOLERANCE:±0.05mm



	DIM. A (mm)	DIM. B (mm)
2P	2.0mm	7.90mm
3P	4.0mm	9.90mm
4P	6.0mm	11.90mm
5P	8.0mm	13.90mm
6P	10.0mm	15.90mm
7P	12.0mm	17.90mm
8P	14.0mm	19.90mm
9P	16.0mm	21.90mm
10P	18.0mm	23.90mm
11P	20.0mm	25.90mm
12P	22.0mm	27.90mm
13P	24.0mm	29.90mm
14P	26.0mm	31.90mm
15P	28.0mm	33.90mm
16P	30.0mm	35.90mm
17P	32.0mm	37.90mm
18P	34.0mm	39.90mm
19P	36.0mm	41.90mm
20P	38.0mm	43.90mm

温度范围: -25℃~85℃
 额定电压: 250V AC/DC
 额定电流: 2A
 绝缘电阻: >1000MΩ
 耐 压: 800V AC/minute

3	FITTING NAIL	2 PCS	材质:黄铜,电镀:镀亮锡60u*MIN
2	PIN	n PCS	材质:黄铜,电镀:镀亮锡60u*MIN
1	Housing	1 PCS	材质:LCP (UL94V-0),颜色:本色或黑色
NO.	NAME	QTY	DESCRIPTION

2016WRS-XXP	LCP UL94V-0	Brass	Tin Plated	2016HM
Series No.	Material	Material	Metal plating	Mate with Housing

ECN BO.		new		2015/5/3		A		瀚源	
DESIGNED	CHECKED	APPROVAL	DRAWING NUMBER	DATE.		REV.		SCALE: 3:1	
Mikey	Tom	Jerry	PART NAME	2016WRS-XXP	UNLESS OTHERWISE	X.	±0.25		
			MODEL NAME	H-2016WRS-XXP	SPECIFIED,TOLERANCE:	X.x	±0.20		
			3RD ANGLE PROJ	HanElectricity Co.,LTD				ANGULAR	±0.15
								FILE.NO.	

X-ON Electronics

Largest Supplier of Electrical and Electronic Components

Click to view similar products for [Headers & Wire Housings](#) category:

Click to view products by [HanElectricity](#) manufacturer:

Other Similar products are found below :

[0015917161](#) [0022155065](#) [57102-F02-18ULF](#) [58102-G61-06LF](#) [582553-1](#) [01.001.5753.1](#) [0050291907](#) [02.125.8002.8](#) [609-3404](#) [61062-3](#)
[CSU011177004](#) [622-0430](#) [622-3653LF](#) [63453-116](#) [636-1030](#) [636-1427](#) [636-3427](#) [636-4007](#) [641938-9](#) [65495-038](#) [65692-001LF](#) [65781-018](#)
[65781-047](#) [65817-010LF](#) [65817-015LF](#) [67095-007LF](#) [67601157](#) [68631-112](#) [68645-018](#) [699319-000](#) [70.362.1628.0](#) [70-4210](#) [70-4226B](#) [70-](#)
[4853B](#) [71.350.2428.0](#) [733-134](#) [733-162](#) [760-3052](#) [MHR-64-VUAL](#) [80.063.4001.1](#) [800-90-001-10-001000](#) [801-43-002-10-013000](#)
[801-43-006-10-002000](#) [803-43-024-10-001000](#) [803-93-012-10-001000](#) [8-1437020-4](#) [819-22-004-30-001101](#) [820-22-006-30-001101](#)
[820-22-008-30-001101](#) [821-22-002-10-001101](#)