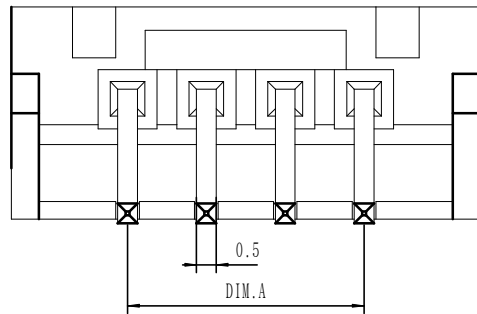


Recommended PCB Layout
TOLERANCE:±0.05mm



| | DIM. A (mm) | DIM. B (mm) |
|-----|-------------|-------------|
| 2P | 2.0mm | 7.90mm |
| 3P | 4.0mm | 9.90mm |
| 4P | 6.0mm | 11.90mm |
| 5P | 8.0mm | 13.90mm |
| 6P | 10.0mm | 15.90mm |
| 7P | 12.0mm | 17.90mm |
| 8P | 14.0mm | 19.90mm |
| 9P | 16.0mm | 21.90mm |
| 10P | 18.0mm | 23.90mm |
| 11P | 20.0mm | 25.90mm |
| 12P | 22.0mm | 27.90mm |
| 13P | 24.0mm | 29.90mm |
| 14P | 26.0mm | 31.90mm |
| 15P | 28.0mm | 33.90mm |
| 16P | 30.0mm | 35.90mm |
| 17P | 32.0mm | 37.90mm |
| 18P | 34.0mm | 39.90mm |
| 19P | 36.0mm | 41.90mm |
| 20P | 38.0mm | 43.90mm |

温度范围: -25℃~85℃
 额定电压: 250V AC/DC
 额定电流: 2A
 绝缘电阻: >1000MΩ
 耐 压: 800V AC/minute

| | | | |
|-----|--------------|-------|---------------------------|
| 3 | FITTING NAIL | 2 PCS | 材质:黄铜,电镀:镀亮锡60u*MIN |
| 2 | PIN | n PCS | 材质:黄铜,电镀:镀亮锡60u*MIN |
| 1 | Housing | 1 PCS | 材质:LCP (UL94V-0),颜色:本色或黑色 |
| NO. | NAME | QTY | DESCRIPTION |

| | | | | |
|-------------|-------------|----------|---------------|-------------------|
| 2016WRS-XXP | LCP UL94V-0 | Brass | Tin Plated | 2016HM |
| Series No. | Material | Material | Metal plating | Mate with Housing |

| ECN BO. | | new | | 2015/5/3 | A | 瀚源 |
|----------|---------|----------|----------------|------------------------|---------------------------------------|--|
| DESIGNED | CHECKED | APPROVAL | DRAWING NUMBER | DATE. | REV. | |
| Mikey | Tom | Jerry | PART NAME | 2016WRS-XXP | UNLESS OTHERWISE SPECIFIED,TOLERANCE: | X. ±0.25 X.x ±0.20 X.xx ±0.15 ANGULAR ±3° |
| | | | MODEL NAME | H-2016WRS-XXP | | |
| | | | 3RD ANGLE PROJ | HanElectricity Co.,LTD | | FILE.NO. |

X-ON Electronics

Largest Supplier of Electrical and Electronic Components

Click to view similar products for [Headers & Wire Housings](#) category:

Click to view products by [HanElectricity](#) manufacturer:

Other Similar products are found below :

[0015917161](#) [0022155065](#) [57102-F02-18ULF](#) [58102-G61-06LF](#) [582553-1](#) [01.001.5753.1](#) [0050291907](#) [02.125.8002.8](#) [609-3404](#) [61062-3](#)
[CSU011177004](#) [622-0430](#) [622-3653LF](#) [63453-116](#) [636-1030](#) [636-1427](#) [636-3427](#) [636-4007](#) [641938-9](#) [65495-038](#) [65692-001LF](#) [65781-018](#)
[65781-047](#) [65817-010LF](#) [65817-015LF](#) [67095-007LF](#) [67601157](#) [68631-112](#) [68645-018](#) [699319-000](#) [70.362.1628.0](#) [70-4210](#) [70-4226B](#) [70-](#)
[4853B](#) [71.350.2428.0](#) [733-134](#) [733-162](#) [760-3052](#) [MHR-64-VUAL](#) [80.063.4001.1](#) [800-90-001-10-001000](#) [801-43-002-10-013000](#)
[801-43-006-10-002000](#) [803-43-024-10-001000](#) [803-93-012-10-001000](#) [8-1437020-4](#) [819-22-004-30-001101](#) [820-22-006-30-001101](#)
[820-22-008-30-001101](#) [821-22-002-10-001101](#)