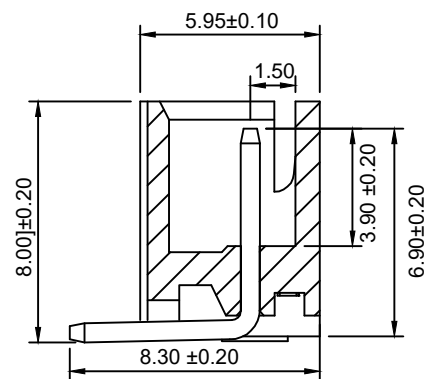
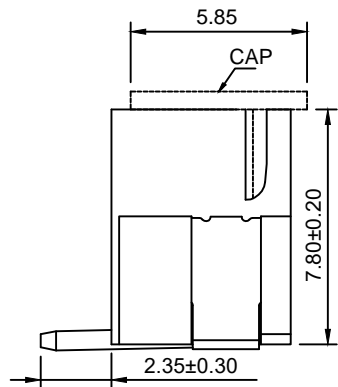


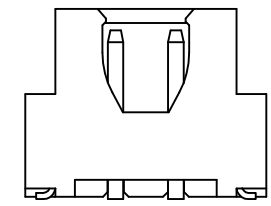
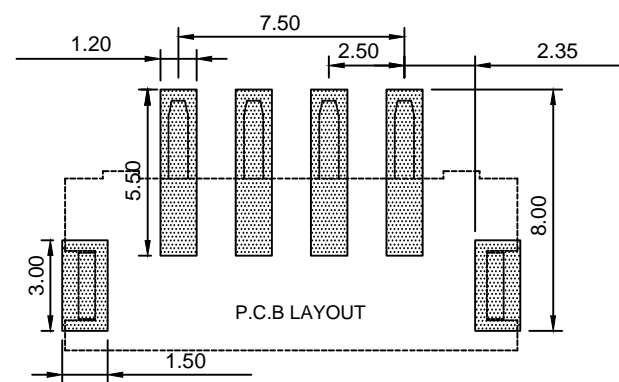
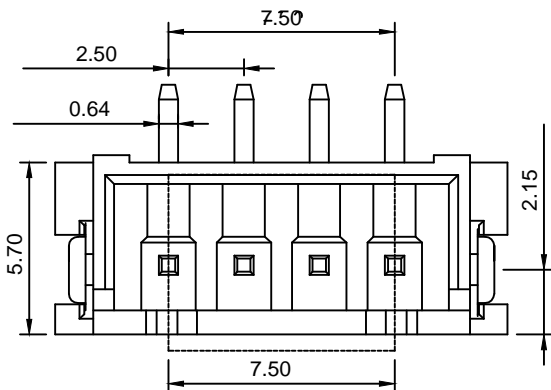
|  |         |      |     |
|--|---------|------|-----|
|  | 02P~10P | 0.10 | MAX |
|  | 11P~16P | 0.12 | MAX |



**Specifications:**

规格:

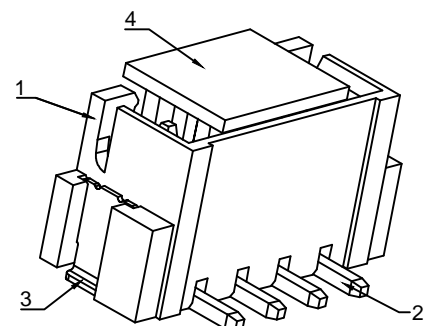
- Voltage rating: 250V AC/DC  
额定电压: 250V AC/DC
- Current rating: 3A AC/DC  
额定电流: 3A AC/DC
- Withstanding voltage: 1000V AC/minute  
耐受电压: 1000V AC/分钟
- Temperature range: -25°C~+85°C  
温度范围: -25°C~+85°C
- Insulation resistance: 800MΩ MIN  
绝缘电阻: 800MΩ MIN
- Contact resistance: 20mΩ Max  
接触电阻: 20mΩ Max



2PIN结构

| Circuits | Dimensions |       |       |
|----------|------------|-------|-------|
|          | A          | B     | C     |
| 2        | 2.50       | 10.00 | 7.50  |
| 3        | 5.00       | 12.50 | 10.00 |
| 4        | 7.50       | 15.00 | 12.50 |
| 5        | 10.00      | 17.50 | 15.00 |
| 6        | 12.50      | 20.00 | 17.50 |
| 7        | 15.00      | 22.50 | 20.00 |
| 8        | 17.50      | 25.00 | 22.50 |
| 9        | 20.00      | 27.50 | 25.00 |
| 10       | 22.50      | 30.00 | 27.50 |
| 11       | 25.00      | 32.50 | 30.00 |
| 12       | 27.50      | 35.00 | 32.50 |
| 13       | 30.00      | 37.50 | 35.00 |
| 14       | 32.50      | 40.00 | 37.50 |
| 15       | 35.00      | 42.50 | 40.00 |
| 16       | 37.50      | 45.00 | 42.50 |

|             |             |          |               |                   |
|-------------|-------------|----------|---------------|-------------------|
| 8821WVS-XXP | LCP UL94V-0 | Brass    | Tin Plated    | 8821H             |
| Series No.  | Material    | Material | Metal plating | Mate with Housing |



|          |         |              |                |                        |  |            |
|----------|---------|--------------|----------------|------------------------|--|------------|
| ECN BO.  |         | new          |                | 2015/5/3               | A                                      | 瀚源         |
| DESIGNED |         | DESCRIPTION. |                | DATE.                  | REV.                                   |            |
| DESIGNED | CHECKED | APPROVAL     | DRAWING NUMBER | SCALT: 1/2             |  | SCALE: 3:1 |
| Mikey    | Tom     | Jerry        | PART NAME      | 8821WVS-XXP            | UNLESS OTHERWISE SPECIFIED, TOLERANCE: | X. ±0.25   |
|          |         |              | MODEL NAME     | H-8821WVS-XXP          |  | X.x ±0.20  |
|          |         |              | 3RD ANGLE PROJ | HanElectricity Co.,LTD |  |            |
| FILE NO. |         |              |                |                        |  |            |

## X-ON Electronics

Largest Supplier of Electrical and Electronic Components

*Click to view similar products for [Headers & Wire Housings](#) category:*

*Click to view products by [HanElectricity](#) manufacturer:*

Other Similar products are found below :

[0015917161](#) [0022155065](#) [57102-F02-18ULF](#) [58102-G61-06LF](#) [582553-1](#) [01.001.5753.1](#) [0050291907](#) [02.125.8002.8](#) [609-3404](#) [61062-3](#)  
[CSU011177004](#) [622-0430](#) [622-3653LF](#) [63453-116](#) [636-1030](#) [636-1427](#) [636-3427](#) [636-4007](#) [641938-9](#) [65495-038](#) [65692-001LF](#) [65781-018](#)  
[65781-047](#) [65817-010LF](#) [65817-015LF](#) [67095-007LF](#) [67601157](#) [68631-112](#) [68645-018](#) [699319-000](#) [70.362.1628.0](#) [70-4210](#) [70-4226B](#) [70-](#)  
[4853B](#) [71.350.2428.0](#) [733-134](#) [733-162](#) [760-3052](#) [MHR-64-VUAL](#) [80.063.4001.1](#) [800-90-001-10-001000](#) [801-43-002-10-013000](#)  
[801-43-006-10-002000](#) [803-43-024-10-001000](#) [803-93-012-10-001000](#) [8-1437020-4](#) [819-22-004-30-001101](#) [820-22-006-30-001101](#)  
[820-22-008-30-001101](#) [821-22-002-10-001101](#)