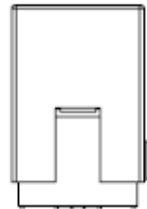
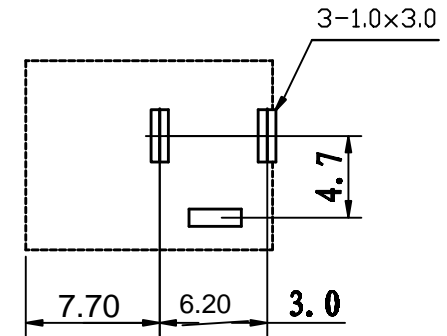
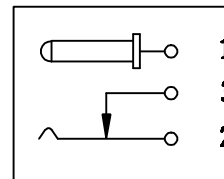


PCB LAYOUT
(TOP VIEW)



SCHEMATIC



NO	NAME	QTY	MATERIAL	NOTE
6	CASE	1PCS	PA66	BLACK
5	HOUSING	1PCS	PA66	BLACK
4	CENTER PIN	1PCS	BRASS OD=2.0mm	NI PLATED
3	TERMINAL	1PCS	BRASS T=0.30mm	TIN PLATED
2	SPRING	1PCS	PHDS.ERD NZE0.25	TIN PLATED
1	PLUG PIN	1PCS	BRASS T=0.30mm	TIN PLATED

Temperature: -40~60°C

Rated Load :DC 12V. 2A Max; AC 100V.1A Max

Contact Resistance: ≤0.03 Ω

Insulation Resistance : ≤0.03 Ω

Insulation Resistance: ≥100MΩ DC500V

Withstand Voltage :AC500V(50Hz)/min

Extraction Force:0.3Kg Minimum

Insertion Force :3.0Kg Maximum

Durability(Life Test):2000 Cycles

		new		2015/5/3	A	
ECN BO.		DESCRIPTION.		DATE.	REV.	
DESIGNED	CHECKED	APPROVAL	DRAWING NUMBER	SCALT: 1/2		SCALE: 3:1
Mikey	Tom	Jerry	PART NAME	DC-005Y25	UNLESS OTHERWISE SPECIFIED,TOLERANCE:	X. ±0.25
			MODEL NAME	DC-005Y25		X.x ±0.20
			3RD ANGLE PROJ	HANYONES TECH CO.,LTD		X.xx ±0.15
						ANGULAR ±3'
						FILE NO.

X-ON Electronics

Largest Supplier of Electrical and Electronic Components

Click to view similar products for [DC Power Connectors](#) category:

Click to view products by [HanElectricity](#) manufacturer:

Other Similar products are found below :

[KLDX-SMT-0202-BPTR](#) [171-0722-E](#) [K596](#) [KLD-0201-BC](#) [4C6831AX](#) [10073976-112LF](#) [LCB60PW-M](#) [LCB30PW-M](#) [LCB60PB-M](#)
[LCC30PB-M](#) [LCB50PW-M](#) [LCB50-M](#) [LCB60-F](#) [LCC30-M](#) [LCB40PW-M](#) [LCC30PW-M](#) [LCB50-F](#) [LCB40-F](#) [LCB30-F](#) [LCC40-M](#)
[LCC40PB-M](#) [LCB40PB-M](#) [LCC40-F](#) [LCB60-M](#) [LCC40PW-M](#) [LCB50PB-M](#) [DC-002-100](#) [DC-031A-130](#) [DC-031A-100](#) [DC-003A-130](#)
[DC-045-130](#) [DC-192-130](#) [DC-033-130](#) [DC-011-100](#) [DC-002F-130](#) [DC-002-130](#) [DB-14-2F](#) [DC-183B](#) [DC-060-04A](#) [DC-099-200](#) [DC-015-](#)
[250-A](#) [DC-016-200-A](#) [DC-005A-200](#) [DC-044A-200](#) [DC-088-200](#) [DC-022A-200](#) [DC-038-150](#) [DC-012A-250](#) [DC-005C-130](#) [DC-012A-200](#)