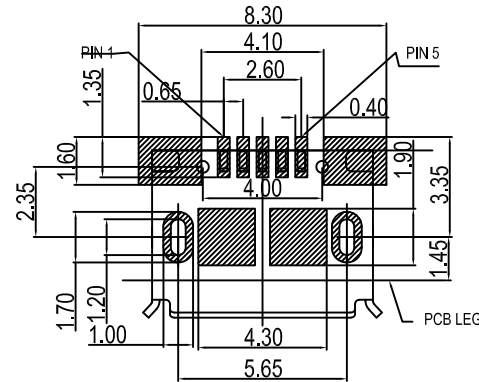
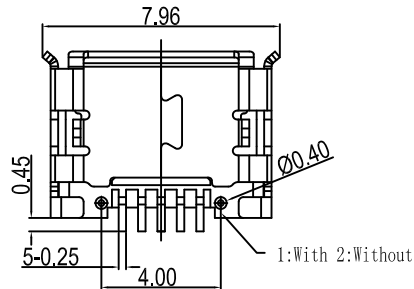
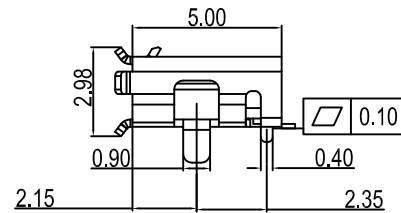
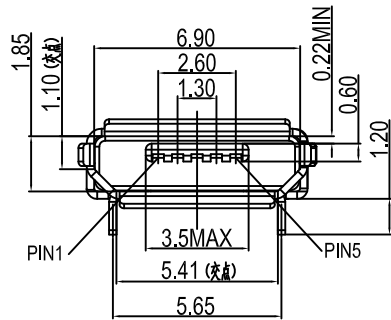


Scrolls (S)



RECOMMENDED P.C.B. LAYOUT  
TOP VIEW (TOLRANCE: ±0.05)

Material  
Housing Material: LCP, UL94V-0, black  
Contact Terminal: Copper Alloy  
Metallic Shell: Sus  
Electrical  
Voltage Rating: 30 V AC  
Current Rating: Signal (Pins 2,3,4): 1.0A, Power (Pins 1,5): 1.8A  
Contact Resistance: 30mΩ Max  
Insulation resistance: 1000MΩ Min  
Dielectric withstanding voltage: 250V AC/Minute  
Mechanical  
Durability: 10,000 cycles  
Mating Force: 35N (3.57Kgf) Max  
Unmating Force: 8N (0.82Kgf) Min.

|          |         |              |                |                       |  |                     |
|----------|---------|--------------|----------------|-----------------------|--|---------------------|
| —        |         | new          |                | 2015/5/3              | A                                      |                     |
| ECN BO.  |         | DESCRIPTION. |                | DATE.                 | REV.                                   |                     |
| DESIGNED | CHECKED | APPROVAL     | DRAWING NUMBER | SCALT: 1/2            |  | SCALE: 3:1          |
| Mikey    | Tom     | Jerry        | PART NAME      | HYM-05050150-001      | UNLESS OTHERWISE SPECIFIED, TOLERANCE: | X.            ±0.25 |
|          |         |              | MODEL NAME     | HYM-05050150-001      |  | X.x          ±0.20  |
|          |         |              | 3RD ANGLE PROJ | HANYONES TECH CO.,LTD |  | X.xx        ±0.15   |
|          |         |              |                |                       | ANGULAR                                | ±3'                 |
|          |         |              |                |                       |  | FILE. NO.           |

## X-ON Electronics

Largest Supplier of Electrical and Electronic Components

*Click to view similar products for [USB Connectors](#) category:*

*Click to view products by [HanElectricity](#) manufacturer:*

Other Similar products are found below :

[950](#) [MUSBD11135](#) [17-200721](#) [217450-1](#) [KMBVX-TH-5S-B30](#) [KUSBX-AS2N-W](#) [KUSBX-SMT2AP1S-W30](#) [935](#) [957](#) [30-498-6](#) [SK-60A-2](#)  
[1734082-1](#) [30-470](#) [30-489](#) [30-541](#) [A-USB A-2P-C](#) [MIKROE-1451](#) [USBFTVSCCG](#) [1-1734084-2](#) [10135326-001LF](#) [4198](#) [USB-A-D-VT](#)  
[USB-A-S-RA-TSMT](#) [1310-1023-02](#) [690-024-633-031](#) [UB-20PMFP-LC7001](#) [17-200011](#) [UB-20AFMM-LL7A01](#) [1040870124](#) [CAP-](#)  
[WCCMLPB1](#) [CAP-WCCMLPC1](#) [2274475-3](#) [UB-20BMFA-SL8001](#) [914-614A2025S10200](#) [USB3FTV7SAGF059](#) [ZX40-B-5S-1500-](#)  
[STDA\(30\)](#) [GSB3116344HR](#) [USB3FTV2SAZNF459](#) [USB3FTV7SAZNF459](#) [U221-041N-1WVS62-F5D](#) [HYCW153-USBD05-500B](#)  
[HYCW219-USBD05-075B](#) [HYCW148-USBD05-117B](#) [HYCW149-USBD05-740B](#) [HYCW204-USBD05-108B](#) [HYCW214-USBA04-113B](#)  
[HYCW213-USBA04-113B](#) [UB-20AMFM-SL7A01](#) [KMMX-BSMT35S-1-B30TR](#) [2345986-1](#)