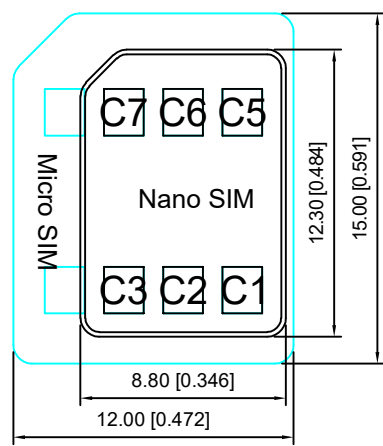


**RECOMMENDED PCB LAYOUT**  
G1-GN pin is defined as GND



**NOTES:**

**1. MATERIAL:**

- 1.1 Insulator: High Temperature Thermoplastic, UL94V-0; Color Black.
- 1.2 Terminal: Copper Alloy.
- 1.3 Shell: Stainless Steel.

**2. PLATING:**

- 2.1 Contact: Plated 50u" Ni Overall Contact Au 1u"
- 2.2 Shell: Plated 50u" Ni Overall, PAD Au 1u"

**3. SPECIALITY:**

- 2.1 Current Rating :0.5mA AC/DC max.
- 2.2 Voltage Rating :125V AC/DC
- 2.3 Ambient Temperature Range :-20°C~+60°C
- 2.4 Storage Temperature Range :-40°C~+70°C
- 2.5 Ambient Humidity Range :95% R.H. Max.
- 2.6 Contact Resistance:100mΩ max.
- 2.7 Insulation Resistance:1000MΩ min./500VDC
- 2.8 Mating Cycles:10,000 Insertions
- 2.9 Reflow peak temp.: 260°C ±5°C, 3~5 S
- 2.10 Mating Cycles:3,000 Insertions Min

new		2015/5/3	A	瀚源	
ECN BO.		DESCRIPTION.	DATE.	REV.	
DESIGNED	CHECKED	APPROVAL	DRAWING NUMBER	SCALE: 1/2	SCALE: 3:1
Mikey	Tom	Jerry	PART NAME	NANO-1151	UNLESS OTHERWISE SPECIFIED, TOLERANCE: X. ±0.25 X.x ±0.20 X.xx ±0.15 ANGULAIR ±3
			MODEL NAME	NANO-1151	
			3RD ANGLE PROJ	HanElectricity Co.,LTD	

## X-ON Electronics

Largest Supplier of Electrical and Electronic Components

*Click to view similar products for [Memory Card Connectors](#) category:*

*Click to view products by [HanElectricity](#) manufacturer:*

Other Similar products are found below :

[6407-249V-25273P](#) [6407-249V-25343P](#) [6426-201-21343](#) [69.920.0553.0](#) [MCR60A-98D-2.54DSA\(70\)](#) [809180410000000](#) [DM3AT-SF-PEJM5\(41\)](#) [IC11S-BUR-PNEJL\(71\)](#) [C70210M0083692](#) [2041353-2](#) [308-DS1P0811-192](#) [HM2P09PDR360N9LF](#) [10014744-011TLF](#) [11327-001](#) [11327-002](#) [NX1-32T-KT3K\(05\)](#) [95622-003LF](#) [84648-056HLF](#) [CCM03-3109 B LFT](#) [MS3116J10-6PW](#) [2309923-1](#) [61126-050CAHLF](#) [GTFP08432B1HR](#) [G85D1160022HHR](#) [SCE2MSDZN76A121SN](#) [10014744-011ALF](#) [10014744-011LF](#) [10057542-1211FLF](#) [10067972-000LF](#) [10067972-050LF](#) [10122302-20110LF](#) [G85D1162022HHR](#) [TF-05A](#) [M6014-12](#) [XKNANO-1412](#) [SMN-304-ARP6](#) [MIS11-S1F1-2000-A](#) [SMN-308-ARSP7](#) [MCS-302S-KT1B](#) [SMN-308-ACSP7](#) [K-DYX-008](#) [K-DYX-004](#) [HYCW126-TF18-150B](#) [C7024-03](#) [SMO-1030](#) [MCS-110-KT](#) [SIM-217](#) [SNO-1355-KT](#) [SMO-1025-P10](#) [SIM-211S-P6](#)