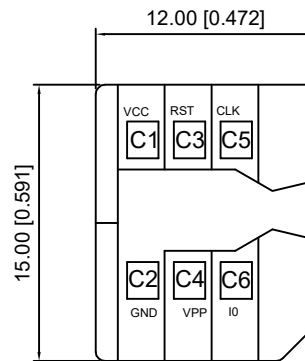
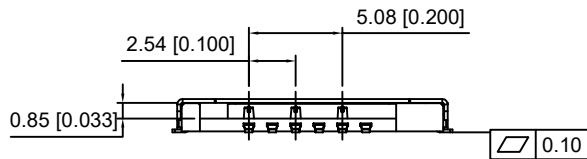


RECOMMENDED PCB LAYOUT(Top View)  
GENERAL TOLERANCE ±0.05

PIN NO.	NAME	PIN NO.	NAME
C1	VCC	C4	VPP
C2	GND	C5	CLK
C3	RST	C6	I/O

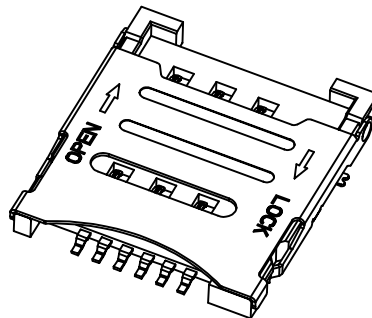


MICRO SIM



NOTES:

1. ELECTRICAL CHARACTERISTICS
  - 1-1. CONTACT RESISTANCE: 60 Milliohms Max
  - 1-2. INSULATION RESISTANCE: 1,000 Megohms Min.
  - 1-3. VOLTAGE RATING: 50V.
  - 1-4. CURRENT RATING: 1.0A.
2. MECHANICAL CHARACTERISTICS
  - 2-1. OPERATION TEMPERATURE RANGE: -20°C~+85°C
  - 2-2. DURABILITY: 5000 CYCLES
3. MATERIAL:
  - 3-1. HOUSING: THERMOPLASTIC,UL 94-V0
  - 3-2. TERMINAL: PHOSPHOR BRONZE,T=0.15
  - 3-3. SHELL: STAINLESS STEEL,T=0.20
4. FINISHED:
  - 4-1. TERMINAL: Ni PLATED UNDER, 3U" Au MIN PLATED ON CONTACT AREA,AU PLATED ON SOLDER TAIL
  - 4-2. SHELL: Ni PLATED UNDER,G/F PLATED ON SOLDER TAIL



ECN BO.		DESCRIPTION.		DATE.	REV.	SCALE: 1/2	SCALE: 3:1
DESIGNED	CHECKED	APPROVAL	DRAWING NUMBER			SCALT: 1/2	SCALE: 3:1
Mikey	Tom	Jerry	PART NAME	NANO-1308	UNLESS OTHERWISE SPECIFIED,TOLERANCE:	X.	±0.25
			MODEL NAME	NANO-1308		X.x	±0.20
			3RD ANGLE PROJ	HanElectricity Co.,LTD		X.xx	±0.15
						ANGULAIR	±3
						FILE.NO.	

瀚源

## X-ON Electronics

Largest Supplier of Electrical and Electronic Components

*Click to view similar products for [Memory Card Connectors](#) category:*

*Click to view products by [HanElectricity](#) manufacturer:*

Other Similar products are found below :

[6407-249V-25273P](#) [6407-249V-25343P](#) [6426-201-21343](#) [69.920.0553.0](#) [MCR60A-98D-2.54DSA\(70\)](#) [809180410000000](#) [DM3AT-SF-PEJM5\(41\)](#) [IC11S-BUR-PNEJL\(71\)](#) [C70210M0083692](#) [2041353-2](#) [308-DS1P0811-192](#) [HM2P09PDR360N9LF](#) [10014744-011TLF](#) [11327-001](#) [11327-002](#) [NX1-32T-KT3K\(05\)](#) [95622-003LF](#) [84648-056HLF](#) [CCM03-3109 B LFT](#) [MS3116J10-6PW](#) [2309923-1](#) [61126-050CAHLF](#) [GTFP08432B1HR](#) [G85D1160022HHR](#) [SCE2MSDZN76A121SN](#) [10014744-011ALF](#) [10014744-011LF](#) [10057542-1211FLF](#) [10067972-000LF](#) [10067972-050LF](#) [10122302-20110LF](#) [G85D1162022HHR](#) [TF-05A](#) [M6014-12](#) [XKNANO-1412](#) [SMN-304-ARP6](#) [MIS11-S1F1-2000-A](#) [SMN-308-ARSP7](#) [MCS-302S-KT1B](#) [SMN-308-ACSP7](#) [K-DYX-008](#) [K-DYX-004](#) [HYCW126-TF18-150B](#) [C7024-03](#) [SMO-1030](#) [MCS-110-KT](#) [SIM-217](#) [SNO-1355-KT](#) [SMO-1025-P10](#) [SIM-211S-P6](#)