

SLIDE SHELL OPEN

NOTES:

1.MATERIAL:

- 1).HOUSING MATERIAL:THERMOPLASTIC UL94V-0;COLOR:BLACK
- 2).CONTACT MATERIAL:COPPERALLOY,T=0.15mm
- 3).SHELLMATERIAL:STAINLESS STEEL,T=0.20mm

2.FINISH:

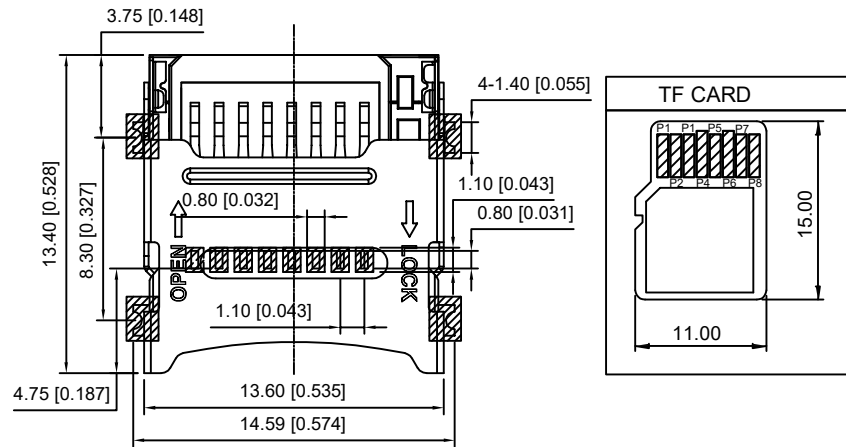
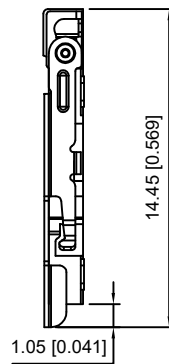
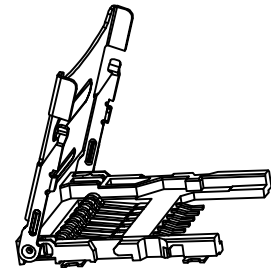
- 1).CONTACT FINISH:50u"min.NICKEL UNDER PLATED,PLATED 3u"Au ON CONTACTAREA:TIN-PLATED HIGH-TEMPER ATURR 80u"-120u"ON SOLDER AREA
- 2).SHELL FINISH:Cleaning.

3.ELECTRICAL SPECIFICATIONS.

- 1).OPERATING VOLTAGE: 250V(AC/DC)
- 2).CURRENT RATING:0.5A.
- 3).OPERATING TEMPERATURE: -20°C~+65C.
- 4).INSULATION RESISTANCE: 1000M OHMS min, at 250VDC.
- 5).DIELECTRIC WITHSTANDING VOLTAGE:500VAC/1minute.
- 6).CONTACT RESISTANCE:100m OHMS max.



SLIDE SHELL LOCK



RECOMMENDED PCB LAYOU  
TOLERANCE ±0.05

—		new		2015/5/3	A	瀚源
ECN BO.		DESCRIPTION.		DATE.	REV.	
DESIGNED	CHECKED	APPROVAL	DRAWING NUMBER	SCALT: 1/2		SCALE: 3:1
Mikey	Tom	Jerry	PART NAME	TF-1307-18	UNLESS OTHERWISE SPECIFIED,TOLERANCE:	X. ±0.2'
			MODEL NAME	TF-1307-18		X.x ±0.2'
			3RD ANGLE PROJ	HanElectricity Co.,LTD		X.xx ±0.15'
					FILE.NO.	

## X-ON Electronics

Largest Supplier of Electrical and Electronic Components

*Click to view similar products for [Memory Card Connectors](#) category:*

*Click to view products by [HanElectricity](#) manufacturer:*

Other Similar products are found below :

[6407-249V-25273P](#) [6407-249V-25343P](#) [6426-201-21343](#) [69.920.0553.0](#) [MCR60A-98D-2.54DSA\(70\)](#) [809180410000000](#) [DM3AT-SF-PEJM5\(41\)](#) [IC11S-BUR-PNEJL\(71\)](#) [C70210M0083692](#) [2041353-2](#) [308-DS1P0811-192](#) [HM2P09PDR360N9LF](#) [10014744-011TLF](#) [11327-001](#) [11327-002](#) [NX1-32T-KT3K\(05\)](#) [95622-003LF](#) [84648-056HLF](#) [CCM03-3109 B LFT](#) [MS3116J10-6PW](#) [2309923-1](#) [61126-050CAHLF](#) [GTFP08432B1HR](#) [G85D1160022HHR](#) [SCE2MSDZN76A121SN](#) [10014744-011ALF](#) [10014744-011LF](#) [10057542-1211FLF](#) [10067972-000LF](#) [10067972-050LF](#) [10122302-20110LF](#) [G85D1162022HHR](#) [TF-05A](#) [M6014-12](#) [XKNANO-1412](#) [SMN-304-ARP6](#) [MIS11-S1F1-2000-A](#) [SMN-308-ARSP7](#) [MCS-302S-KT1B](#) [SMN-308-ACSP7](#) [K-DYX-008](#) [K-DYX-004](#) [HYCW126-TF18-150B](#) [C7024-03](#) [SMO-1030](#) [MCS-110-KT](#) [SIM-217](#) [SNO-1355-KT](#) [SMO-1025-P10](#) [SIM-211S-P6](#)