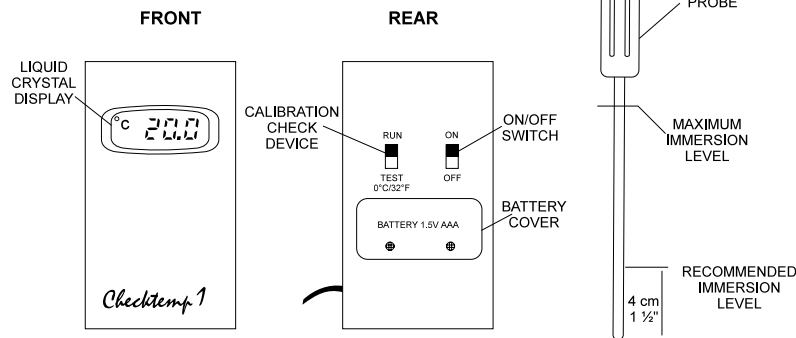


Checktemp1

Checktemp1

Checktemp1

- Checktemp 1 **C** Celsius Model
- Checktemp 1 **CN** Celsius Model with Factory Calibration Certificate
- Checktemp 1 **F** Fahrenheit Model
- Checktemp 1 **FN** Fahrenheit Model with Factory Calibration Certificate



SPECIFICATIONS:

Range

- Checktemp 1 **C** -50.0 to 150.0°C
- Checktemp 1 **F** -58.0 to 302°F

Resolution

- Checktemp 1 **C** 0.1°C
- Checktemp 1 **F** 0.1°F (-58.0 to 199.9°F)
1°F (200 to 302°F)

Accuracy (@20°C/68°F)

- Checktemp 1 **C** ±0.3°C (-20 to 90°C)
±0.5°C (outside)
- Checktemp 1 **F** ±0.5°F (-4 to 194°F)
±1°F (outside)

Typical EMC Deviation

- Checktemp 1 **C** ±0.3°C
- Checktemp 1 **F** ±0.5°F

Environment

0 to 50°C (32 to 122°F);

95% RH max.

Battery Type

1 x 1.4V alkaline

Life

approx. 3,000 hours
of continuous use

Dimensions

106 x 58 x 19 mm

(4.2 x 2.2 x 0.7")

Weight

80 g (2.8 oz.)

Probe

Stainless steel,

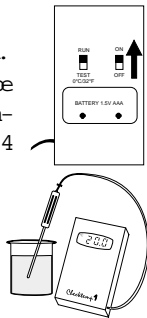
160mm x 3mm Ø

with 1 meter (3.3') cable

Checktemp1

OPERATION:

- Turn Checktemp 1 on.
- Dip Checktemp1 probe in sample. An immersion level of 4 cm (1 ½") is recommended.
- Do NOT immerse the probe handle.
- Do NOT wrench the probe or put heavy objects on the cable. If the cable is damaged, the meter needs to be replaced.
- Wait for a few seconds for the display to stabilize and switch the meter off when not in use.
- Variations in readings or fading display can indicate a weak battery.



CALIBRATION CHECK SWITCH:

Move the Cal-check switch down. The display should show

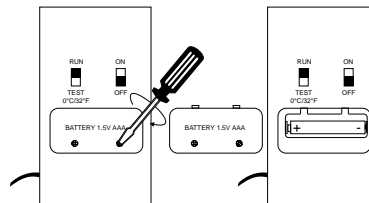
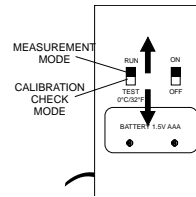
Checktemp1

0.0°C ±0.3°C
or 32°F ±0.5°F.

Contact your dealer or your nearest Hanna Service Center for recalibration, if necessary. Move the Cal-check switch back up. The display returns to measurement mode.

BATTERY REPLACEMENT:

When the Checktemp 1 cannot be switched on or the display fades, remove the two screws, open the



Checktemp1

battery cover and change the 1.4V AAA battery, paying attention to its polarity. Replace the cover and tighten the two screws. Battery should only be replaced in a safe area using the battery type specified in this instruction sheet.

SUGGESTIONS FOR USERS:

Before using this product, make sure that it is entirely suitable for the environment in which it is used. Operation of this instrument in residential areas could cause interference to radio and TV equipment. Any variation introduced by the user to the supplied equipment may degrade the instrument's EMC performance. To avoid electrical shocks, do not use this instrument when voltage at the measurement surface exceeds 24 VAC or 60 VDC. To avoid damage or burns, do not perform any measurement in microwave ovens.

Visit our Internet Home Page:
<http://www.hannainst.com>



X-ON Electronics

Largest Supplier of Electrical and Electronic Components

Click to view similar products for [Environmental Test Equipment](#) category:

Click to view products by [Hanna](#) manufacturer:

Other Similar products are found below :

[CW40](#) [F150C10E3DRT](#) [F150LTC20](#) [F150CD10E2](#) [F150L75](#) [F150LRS](#) [S-11](#) [FLUKE-LDG](#) [382153](#) [FM100](#) [RH210](#) [382253](#) [MO290-P](#)
[GEO-CABLE-REEL-50M](#) [T197914](#) [RD300-L](#) [IR11BD](#) [IR11GM](#) [IR12GM](#) [IR21BD](#) [IR31CE](#) [IR32BC](#) [IR33BC](#) [MP7217TC](#) [NGM-1](#) [SGX-](#)
[7NH3](#) [UT381](#) [F150-SLC50](#) [AW-CO-1000](#) [AW-NmHc-100](#) [3.000.401](#) [AX-7535](#) [CS-9S6SS-A](#) [P 2800 A](#) [P 2801](#) [P 2802](#) [P 5039](#) [P 5130](#) [P](#)
[5055](#) [P 5060](#) [P 5065](#) [P 5086](#) [P 5090](#) [P 5110](#) [P 5115](#) [P 5135](#) [P 5140](#) [P 5145](#) [P 5150](#) [P 5160](#)