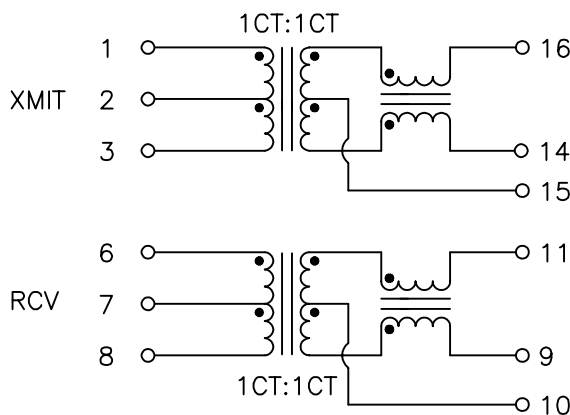


HR601680

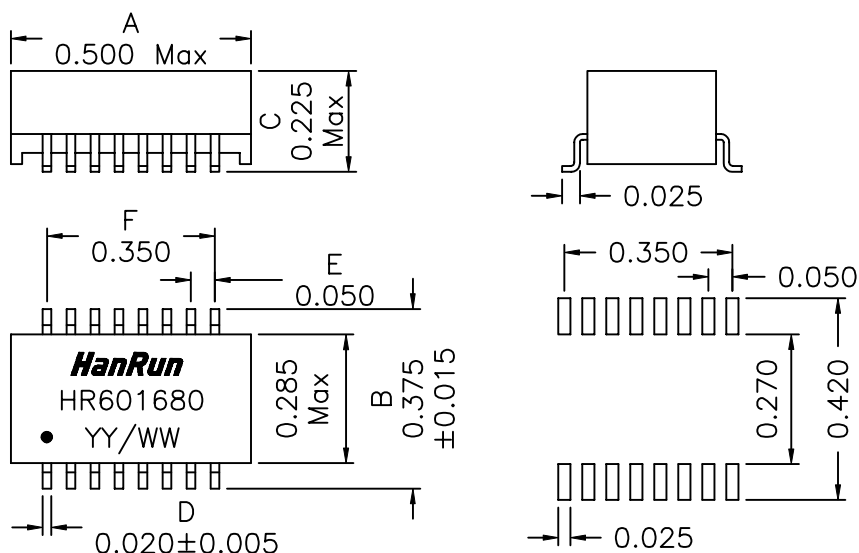
Electrical Specification @25°C

- Operating Temperature Range: 0°C ~ +70°C
- Isolation: 1500Vrms 0.5mA 60sec (Primary to Secondary)
- OCL: 350uH Minimum @100KHz 100mV with 8mADC
- Insertion Loss: -1.1dB Maximum @300KHz ~ 100MHz
- Return Loss: -20dB Typical @30MHz
 - 14dB Typical @60MHz
 - 11.5dB Minimum @80MHz
- Different to Common Mode Rejection: -37dB Typical @30MHz ~ 50MHz
 - 30dB Typical @100MHz
- Crosstalk: -45dB Typical @1MHz ~ 30MHz / -35dB Typical @60MHz ~ 100MHz

Schematics



Mechanical Dimensions



Case material: DAP

Dimensions in inches

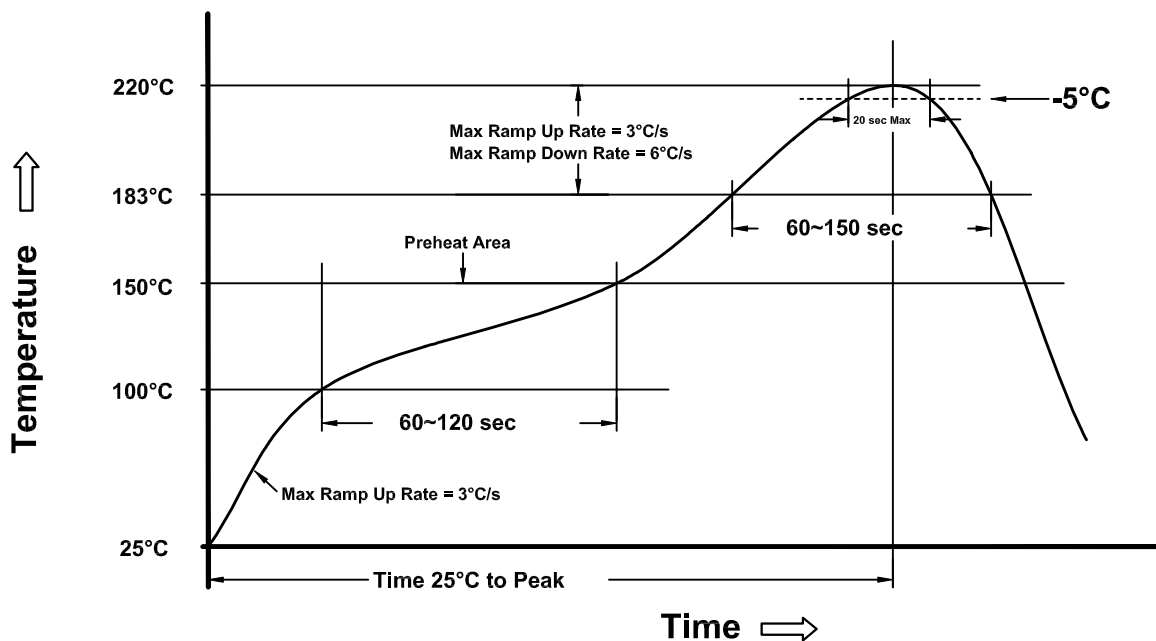
Unless otherwise specified, Tolerance: .xxx ±0.010

REV.: B

SUGGESTED PCB PAD LAYOUT

HR601680

Recommended Soldering Profile



Remarks:

- peak temperature (T_p)= 220°C
- Maximum preheat rate = 3°C / sec
- Ramp up rate = 3°C / sec max
- Time above 183°C = 60 sec min / 150 sec max
- Maximum cooling rate = 6°C / sec
- T 25°C to peak = 6 min max
- preheat Time = 60 ~ 120 sec
- The number of allowed cycles in IR reflow ≤ 2 cycles

X-ON Electronics

Largest Supplier of Electrical and Electronic Components

Click to view similar products for [Audio Transformers](#) / [Signal Transformers](#) category:

Click to view products by [HanRun](#) manufacturer:

Other Similar products are found below :

[CU4S0506AT-2655-H1](#) [CX2041NLT](#) [MGPWT-00449-P](#) [PE-64961](#) [H1302FNLT](#) [H5004ENLT](#) [H5008FNL](#) [H5012FNL](#) [H5020FNLT](#)
[H5077NLT](#) [H5079NLT](#) [H5084FNLT](#) [1812WBT2-4](#) [1879479-1](#) [HX2260FNL](#) [PA1528ANL](#) [EX2024FNL](#) [T1137NLT](#) [T3012NL](#) [PE-](#)
[65812FNL](#) [PE-65848FNLT](#) [H1174FNL](#) [H1302FNL](#) [H5015FNL](#) [H5019EFNL](#) [H5062FNLT](#) [CX2047LNL](#) [MET-14](#) [MGPWT-00059-P](#)
[MGPWT-00266-P](#) [MGPWT-00278-P](#) [MGPWT-00431-P](#) [TTC-100](#) [TTC-143-H](#) [BX1194WNLT](#) [HX1234NLT](#) [HX5008FNLT](#) [HX5019FNL](#)
[HX5084NL](#) [3-1879385-5](#) [TX1263NLT](#) [4-1879391-0](#) [100213](#) [T1142NL](#) [HX6101FNL](#) [HX5084FNL](#) [HX1148NL](#) [HX5020FNLT](#)
[HX5014FNLT](#) [T1124NL](#)