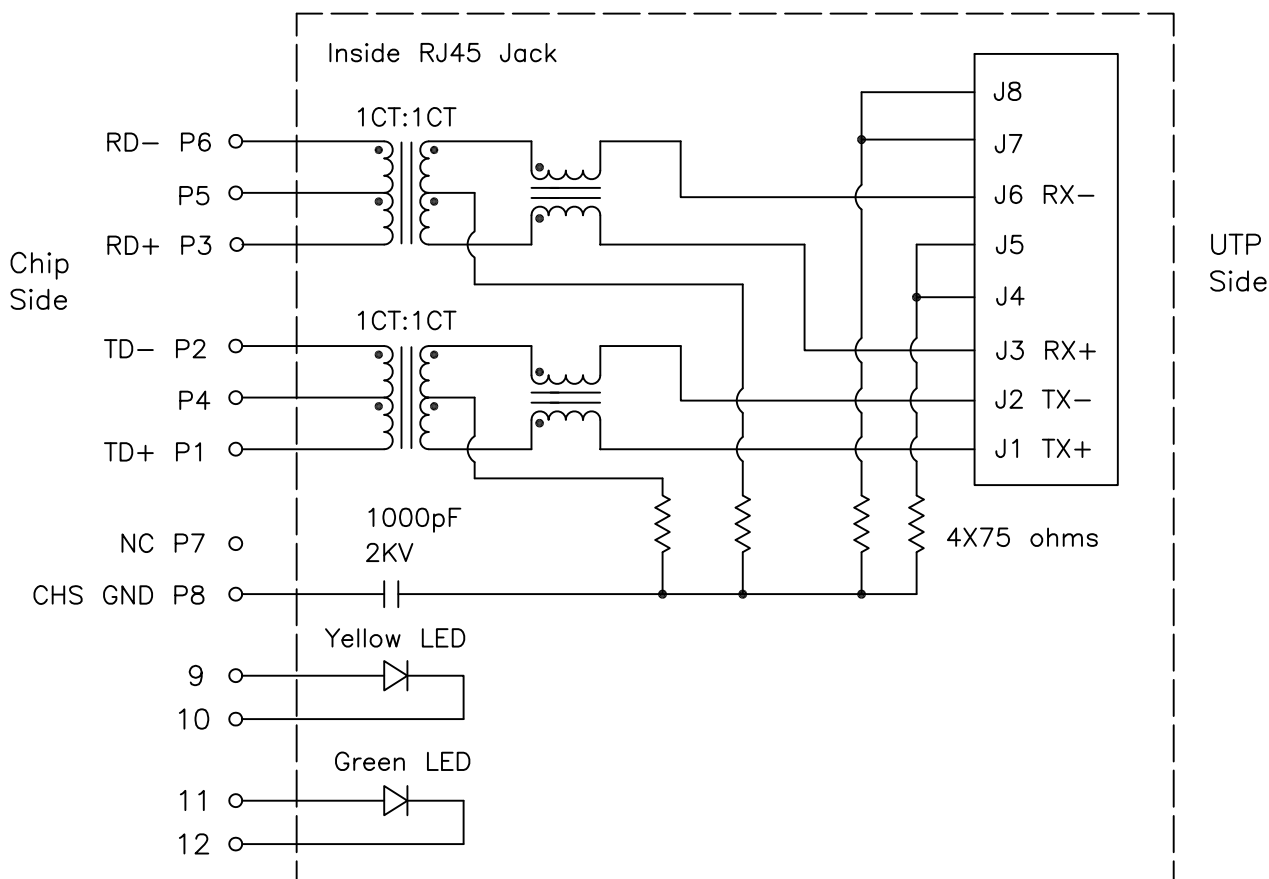


**HR871181AE**

**Electrical Specification @25°C**

- RoHS Compliant (PB Free)
- Operating Temperature Range: -40°C ~ +85°C
- Isolation: 1500Vrms 0.5mA 60sec (J1~8 to P1~6)
- OCL: 350uH Minimum @100KHz 100mV with 8mADC
- Insertion Loss: -1.0dB Maximum @300KHz ~ 100MHz
- Return Loss: -20dB Minimum @1MHz ~ 10MHz / -16dB Minimum @10MHz ~ 30MHz  
-12dB Minimum @30MHz ~ 60MHz / -10dB Minimum @60MHz ~ 80MHz
- Common Mode Rejection: -30dB Minimum @1MHz ~ 50MHz  
-20dB Minimum @50MHz ~ 150MHz
- Crosstalk: -40dB Minimum @1MHz ~ 30MHz / -35dB Minimum @30MHz ~ 60MHz  
-30dB Minimum @60MHz ~ 100MHz

**Schematics**

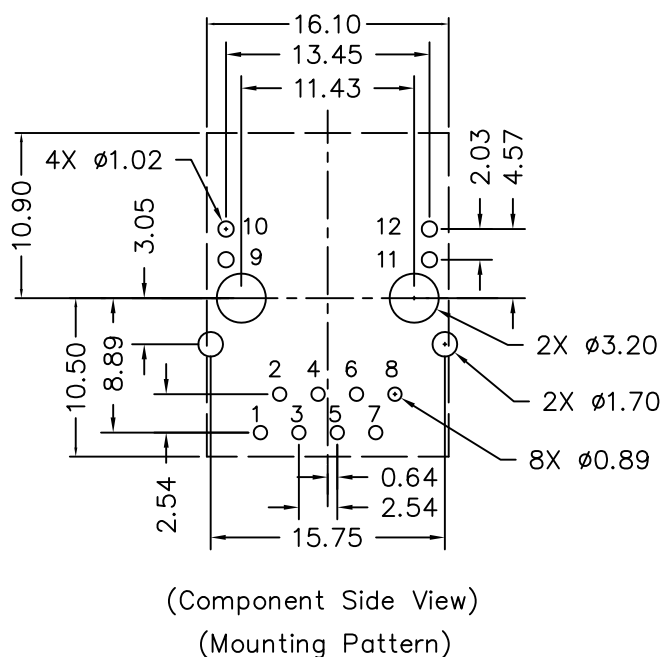
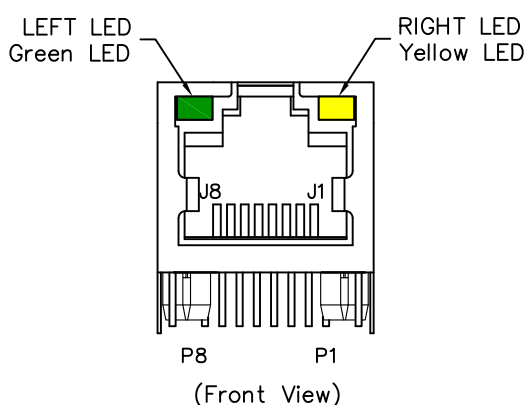
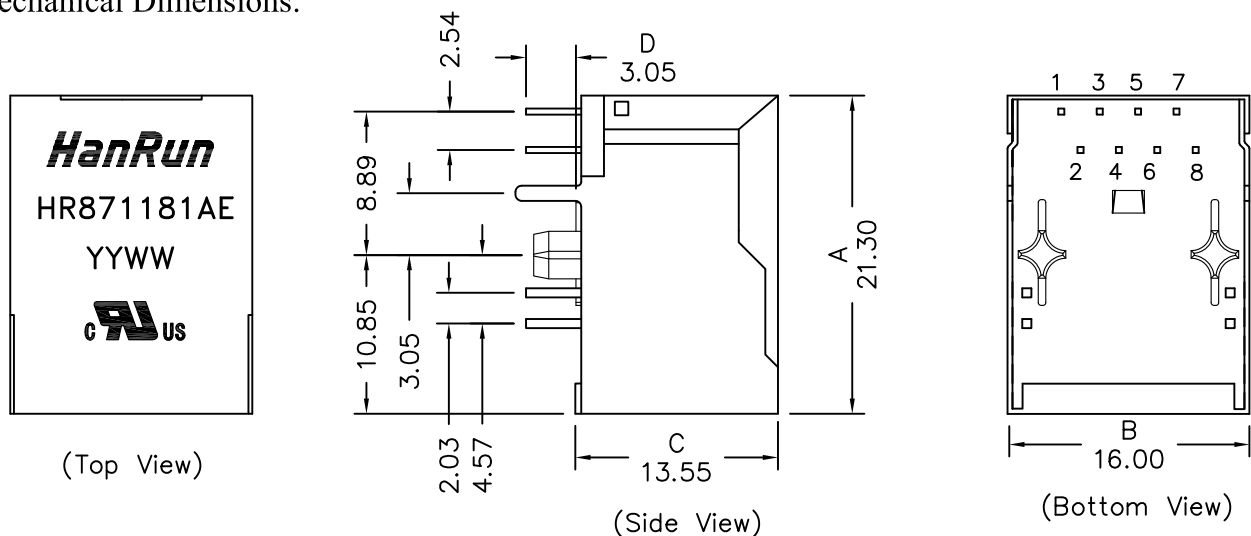


Notes: Connect CHS GND to PCB Ground

**HR871181AE**

- RoHS Compliant (PB Free)
- Meets or Exceeds IEEE802.3 standards including 350uH Min OCL with 8mADC
- High performance for EMI suppression, Crosstalk, Return Loss and Consistent Electrical
- Minimum 1500Vrms isolation per IEEE802.3 requirement
- Minimize PCB space and Simplify PCB Layout
- Less magnetic components to be placed on PCB, higher reliability and yields
- UL Recognized Component: File # E330599

**Mechanical Dimensions:**



Dimensions in mm

Unless otherwise specified, Tolerance: .xx ±0.25

REV.: 00

**HR871181AE**

**General Specifications:**

- RoHS Compliant (PB Free)
- Operating Temperature Range: -40°C ~ +85°C
- Storage Temperature Range: -40°C ~ +85°C
- UL Recognized Component: File # E330599

**Materials and Finish:**

- Housing: Thermoplastic Black per UL 94V-0
- Shield: 50 micro-inch Nickel over 0.01 inch copper alloy
- Contact: Phosphor Bronze, base material
- RJ Contact Plating: 100% tin plating with nickel underplating, 30u" gold plating on contact area
- LED (Green): Frwd Voltage: 1.8 ~ 2.8V
  - Drive Current: 20mA
  - Wave Length: 568 ~ 573 nm typ.
- LED (Yellow): Frwd Voltage: 1.8 ~ 2.8V
  - Drive Current: 20mA
  - Wave Length: 585 ~ 592 nm typ .
- RJ45 Jack cavity conforms to FCC rules and regulation Part 68.

Material	Trade name	chemical marking	UL flame class
housing	PBT	PBT	94V-0
insert	PBT/phosphor bronze	PBT/C5191	94V-0
shield	Brass	C2680	
PCB	FR4	Fiber glass	94V-0
resin	TCS270-260	SILICONE	94V-0

## X-ON Electronics

Largest Supplier of Electrical and Electronic Components

*Click to view similar products for [Modular Connectors / Ethernet Connectors](#) category:*

*Click to view products by [HanRun](#) manufacturer:*

Other Similar products are found below :

[8949-H88/06BLKA/SN](#) [74441-0010/BKN](#) [PHP-6P6C-5](#) [GAX-3-66](#) [GAX-8-62](#) [GDCX-PN-66](#) [GLX-A-44](#) [GLX-N-1010M-BLK](#) [GMX-SMT4-N-88](#) [GSGX-N-2-88](#) [GSGX-N-4-88](#) [GSX-NS2-88-3.05](#) [GSX-NS-88-3.68](#) [PT-108A-8C-UL](#) [PTS-J531-8CS-50UL](#) [1-1775629-2](#) [A-2014-0-4](#) [GWLX-S9-88-YG](#) [DC-1021-8-WH-6](#) [1300530003](#) [1324640-4](#) [RJ11FTVC2G](#) [RJ11FTVC2N](#) [RJFTVX2SA1G](#) [132764-001](#) [1413235](#) [MPS88RX-5000](#) [E5288-S000K3-L](#) [155302-001](#) [AX101050](#) [AX101063](#) [AX101065](#) [AX101072](#) [AX101307](#) [AX101314](#) [AX101315](#) [AX101318](#) [AX102271](#) [AX102288](#) [AX102651](#) [AX102660](#) [HXJ5EOR](#) [J0012D21NL](#) [J0026D01ENL](#) [PC4D0018P](#) [8949-B88/6](#) [2-6609208-5](#) [937-SP-3088-2PC-A192](#) [303066VFL](#) [303068V](#)