

HR911196AE

Electrical Specification @25°C

RoHS Compliant (PB Free)

Operating Temperature Range: $-40^{\circ}\text{C} \sim +85^{\circ}\text{C}$

Isolation: 1500Vrms 60Hz 0.5mA 1MIN (J1~8 to P1~12)

OCL: 350uH Minimum @100KHz 100mV with 20mADC Lp

Turns Ratio: 1CT:1CT $\pm 5\%$

Insertion Loss: -1.0dB Typical @1MHz $\sim 100\text{MHz}$

Return Loss: -16dB Typical @30MHz / -12dB Typical @60MHz $\sim 80\text{MHz}$

-10dB Typical @100MHz

Common Mode Rejection: -27dB Typical @1MHz $\sim 50\text{MHz}$

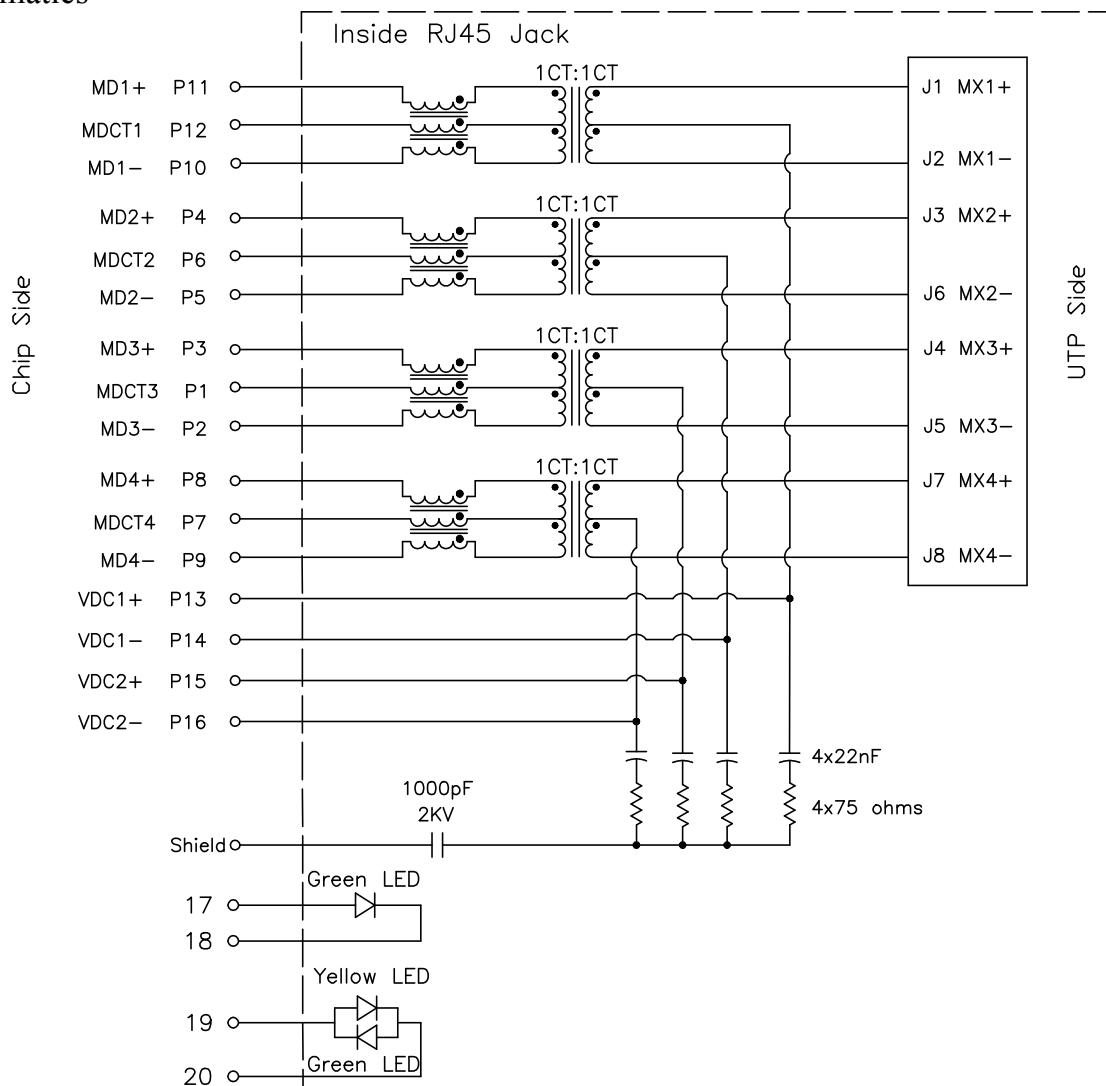
-20dB Typical @50MHz $\sim 130\text{MHz}$

Crosstalk: -44dB Typical @30MHz / -37dB Typical @60MHz / -33dB Typical @100MHz

Designed To Support 57VDC, 600mA per centre tap

(30W when using 2 centre taps; 60W when using 4 centre taps)

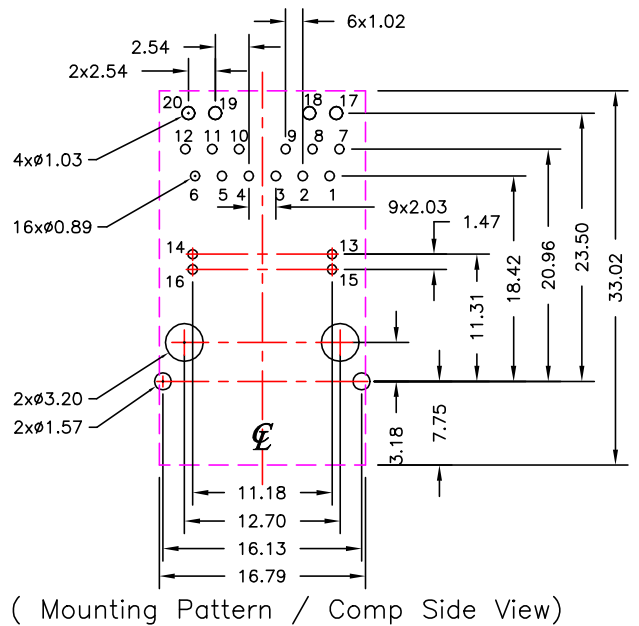
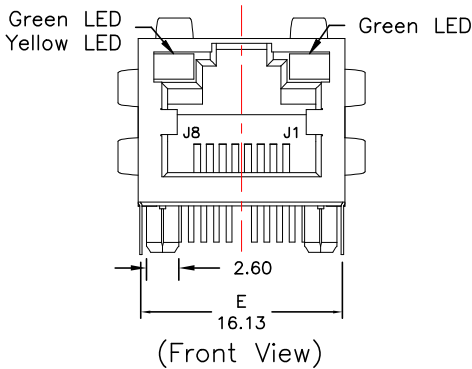
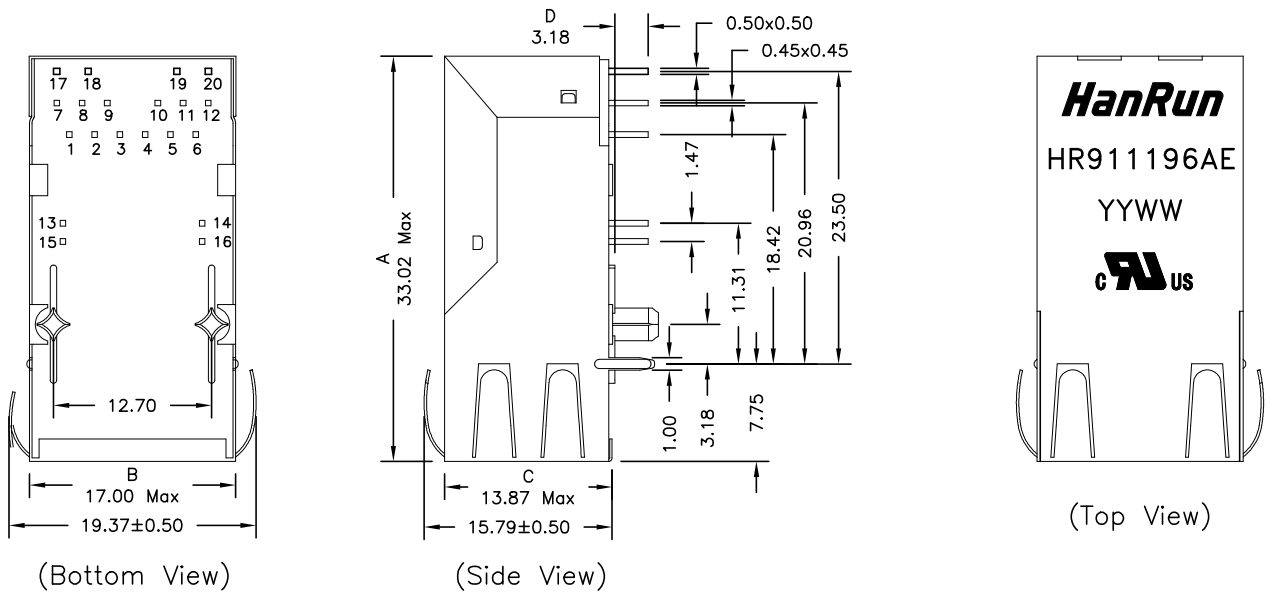
Schematics



HR911196AE

- RoHS Compliant (Pb Free)
- Sing port Tab-UP with internal magnetics for 10/100/1000 Base-TX
- Meets or Exceeds IEEE802.3at standards including 350uH Min OCL with 20mADC
- High performance for EMI suppression, Crosstalk, Return Loss and Consistent Electrical
- Minimum 1500Vrms isolation per IEEE802.3 requirement
- UL Recognized Component: File # E330599

Mechanical Dimensions:



Standard LED	Wavelength	Forward V (Min/Max)	Forward A	Type
Green	568nm	1.8V/2.8V	20mA	squareness
Green/Yellow	568nm/585nm	1.8V/2.8V	20mA	squareness

Dimensions in mm
Unless otherwise specified, Tolerance: .xx ±0.25
REV.02

X-ON Electronics

Largest Supplier of Electrical and Electronic Components

Click to view similar products for [Modular Connectors / Ethernet Connectors](#) category:

Click to view products by [HanRun](#) manufacturer:

Other Similar products are found below :

[8949-H88/06BLKA/SN](#) [74441-0010/BKN](#) [PHP-6P6C-5](#) [GAX-3-66](#) [GDCX-PN-66](#) [GLX-A-44](#) [GLX-N-1010M-BLK](#) [GLX-S-88M-BLK](#)
[GMX-SMT4-N-88](#) [GSGX-N-2-88](#) [GSGX-N-4-88](#) [GSX-NS2-88-3.05](#) [GSX-NS-88-3.68](#) [PT-108A-8C-UL](#) [PTS-J531-8CS-50UL](#) [A-2014-0-4](#)
[GWLX-S9-88-YG](#) [DC-1021-8-WH-6](#) [1300530003](#) [1324640-4](#) [132764-001](#) [1413235](#) [MPS88RX-5000](#) [E5288-S000K3-L](#) [155302-001](#)
[AX101050](#) [AX101063](#) [AX101065](#) [AX101072](#) [AX101307](#) [AX101315](#) [AX101318](#) [AX102271](#) [AX102277](#) [AX102651](#) [AX102660](#) [AX104024](#)
[203475](#) [PC4D0018P](#) [KIT38082NI](#) [8949-B88/6](#) [2-6609208-5](#) [30-8956](#) [30-8964-100](#) [SM85](#) [SM99S01VBNN04G7](#) [17-103540](#) [191587](#) [PDI-68-RV](#) [PHP-8P8C-S-5](#)