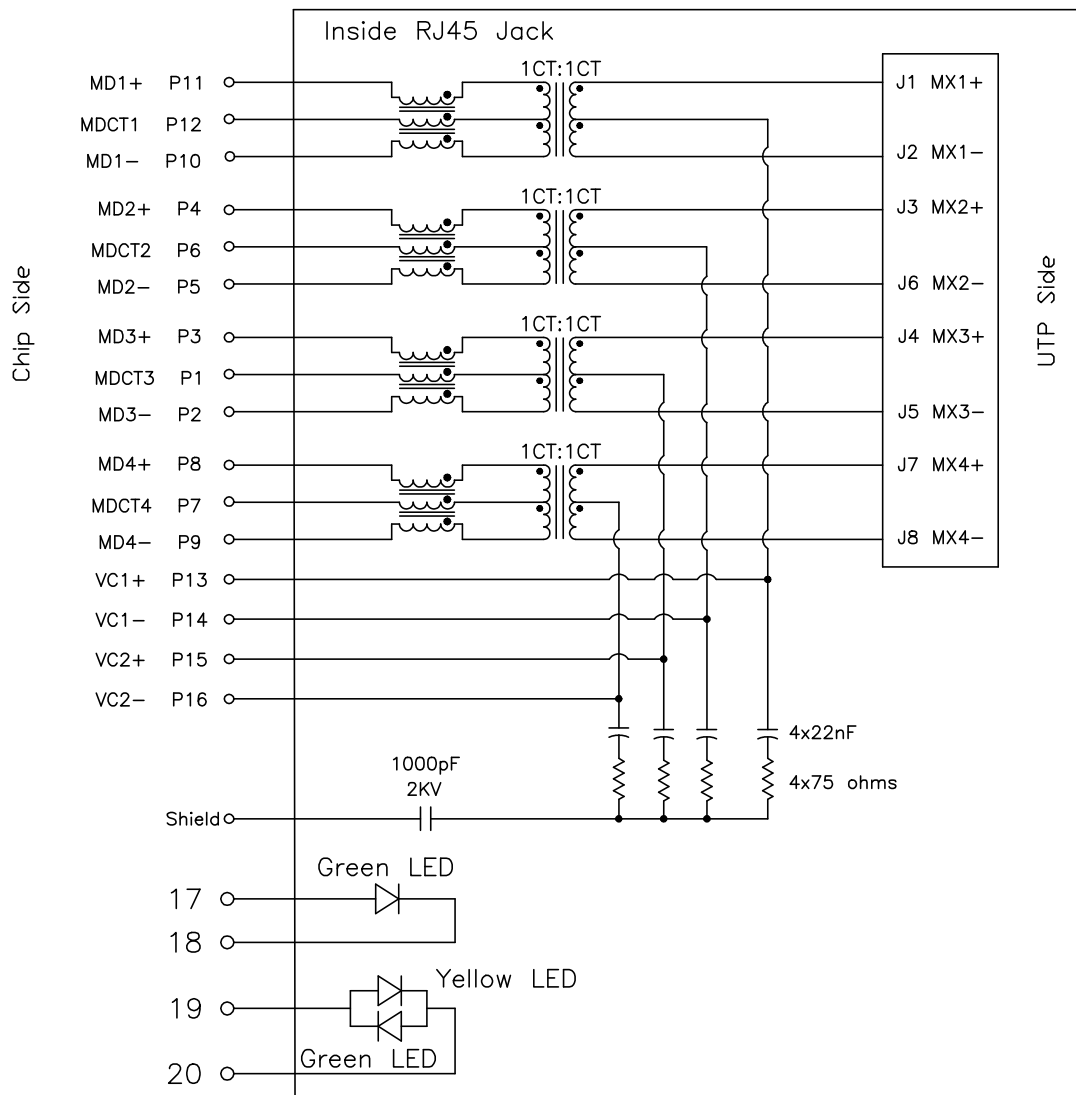


HR913180AE

Electrical Specification @25°C

- RoHS Compliant (PB Free)
- Operating Temperature Range: -40°C ~ +85°C
- Isolation: 2250VDC 60Hz 0.5mA 1MIN (J1~8 to P1~12)
- OCL: 350uH Minimum @100KHz 100mV
- Turns Ratio: 1CT:1CT ±2%
- Insertion Loss: -1.0dB Maximum @1MHz ~ 100MHz
- Return Loss: -16dB Minimum @1MHz ~ 30MHz / -12dB Minimum @30MHz ~ 60MHz
-11dB Minimum @60MHz ~ 80MHz / -10dB Minimum @80MHz ~ 100MHz
- Common Mode Rejection: -30dB Minimum @1MHz ~ 100MHz
- Crosstalk: -35dB Minimum @30MHz / -32dB Minimum @60MHz / -30dB Minimum @100MHz
- Designed To Support 57VDC, 900mA per centre tap

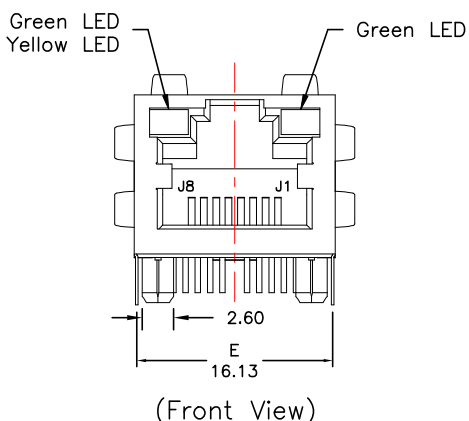
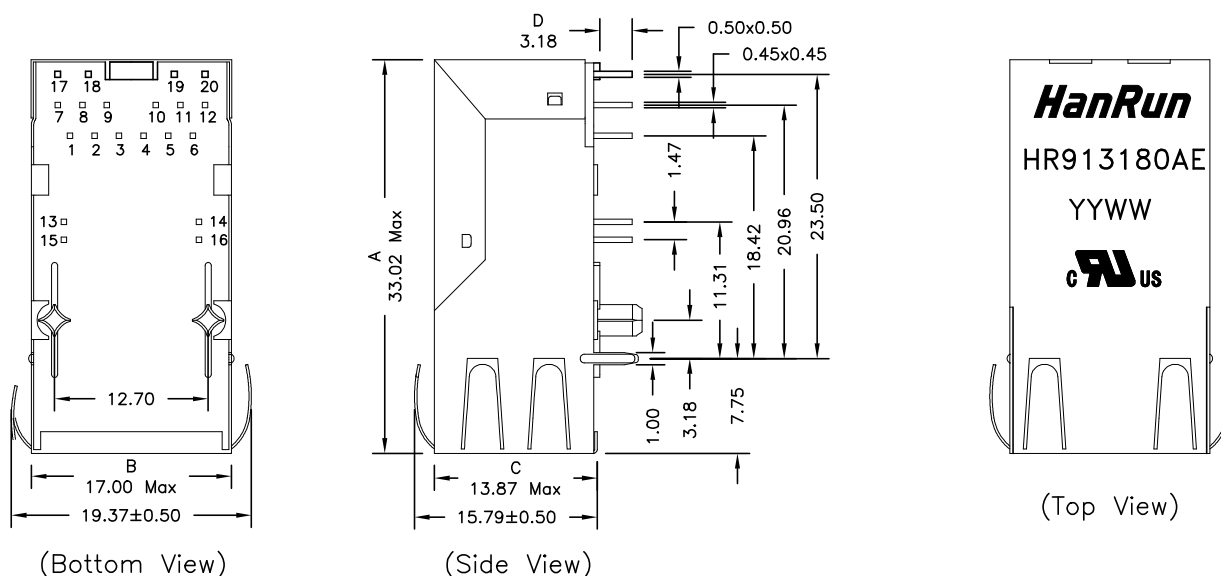
Schematics (45W when using 2 centre taps; 90W when using 4 centre taps)



HR913180AE

- RoHS Compliant (Pb Free)
- Sing port Tab-UP with internal magnetics for 10/100/1000Base-T
- High performance for EMI suppression, Crosstalk, Return Loss and Consistent Electrical
- Minimum 2250VDC isolation per IEEE802.3 requirement
- UL Recognized Component: File # E330599

Mechanical Dimensions:

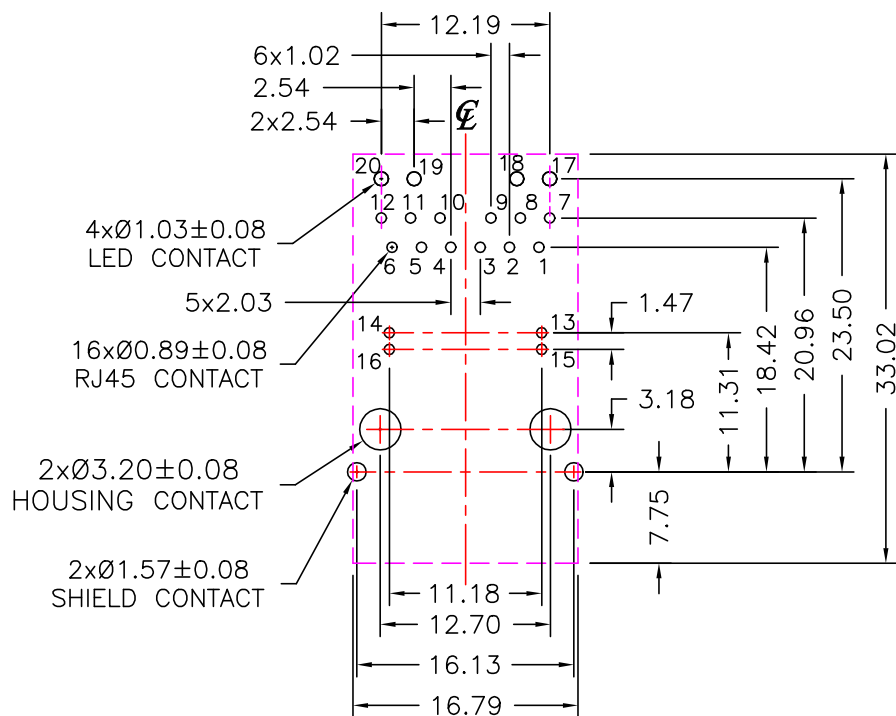


Standard LED	Wavelength	Forward V (Min/Max)	Forward A	Type
Green	568nm	1.8V/2.8V	20mA	squareness
Green/Yellow	568nm/585nm	1.8V/2.8V	20mA	squareness

Dimensions in mm
Unless otherwise specified, Tolerance: .xx ±0.25
REV.: 01

HR913180AE

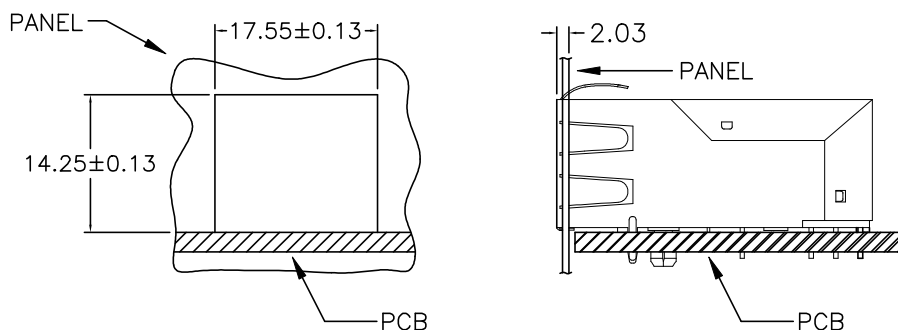
PCB Layout:



Recommended PCB layout (Component Side View)

All dimension tolerance are ± 0.08 unless otherwise specified

Suggested Panel Cutout:



Dimensions in mm

Unless otherwise specified, Tolerance: .xx ± 0.25

REV.: 01

HR913180AE

Material Specification:

Housing: PBT GF Black UL94V-0
Shield: 50u" Nickel over 0.20mm Thickness Brass
Insert: PA46 GF Black UL94V-0
Phosphor Bronze 0.35mm Thickness
Plating Area, 30u" gold over 50u" nickel
Solder Area, 100u" tin over 50u" nickel
Contact pin: PA66 GF Black UL94V-0
Brass 0.45mm Thickness, 80u" tin over 30u" nickel

Mechanical Performance:

Mating force: 5 lbs Maximum
Unmating force: 5 lbs Maximum
Plug to Jack Retention force: 12 lbs Minimum
Operating life: 750 Cycles Minimum

Operating and Storage Temperature:

Operating Temperature Range: -40°C ~ +85°C
Storage Temperature Range: -40°C ~ +85°C

X-ON Electronics

Largest Supplier of Electrical and Electronic Components

Click to view similar products for [Modular Connectors](#) / [Ethernet Connectors](#) category:

Click to view products by [HanRun](#) manufacturer:

Other Similar products are found below :

[8949-H88/06BLKA/SN](#) [74441-0010/BKN](#) [PHP-6P6C-5](#) [GAX-3-66](#) [GDCX-PN-66](#) [GLX-A-44](#) [GLX-N-1010M-BLK](#) [GLX-S-88M-BLK](#)
[GMX-SMT4-N-88](#) [GSGX-N-2-88](#) [GSGX-N-4-88](#) [GSX-NS2-88-3.05](#) [GSX-NS-88-3.68](#) [PT-108A-8C-UL](#) [PTS-J531-8CS-50UL](#) [A-2014-0-4](#)
[GWLX-S9-88-YG](#) [DC-1021-8-WH-6](#) [1300530003](#) [1324640-4](#) [132764-001](#) [1413235](#) [MPS88RX-5000](#) [E5288-S000K3-L](#) [155302-001](#)
[AX101050](#) [AX101063](#) [AX101065](#) [AX101072](#) [AX101307](#) [AX101315](#) [AX101318](#) [AX102271](#) [AX102277](#) [AX102651](#) [AX102660](#) [AX104024](#)
[203475](#) [PC4D0018P](#) [KIT38082NI](#) [8949-B88/6](#) [2-6609208-5](#) [30-8956](#) [30-8964-100](#) [SM85](#) [SM99S01VBNN04G7](#) [17-103540](#) [191587](#) [PDI-68-RV](#) [PHP-8P8C-S-5](#)