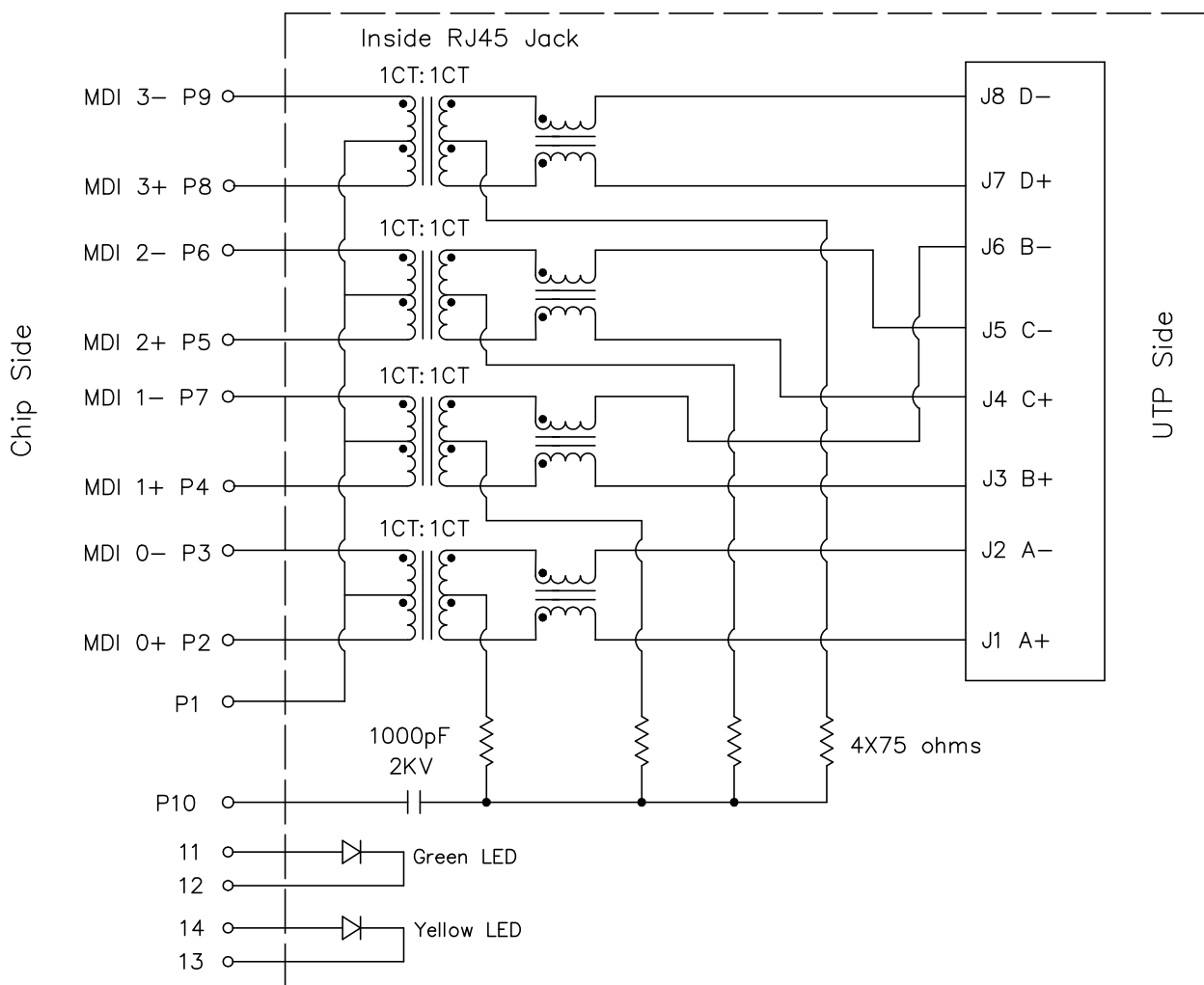


**HR915210C**

**Electrical Specification @25°C**

Isolation: 2250VDC 0.5mA 60sec (UTP Side to Chip Side)  
 OCL: 350uH Minimum @100KHz 100mV with 8mADC  
 Insertion Loss: -1.0dB Maximum @100KHz ~ 60MHz  
                   -1.1dB Maximum @60MHz ~ 100MHz  
 Return Loss: -18dB Minimum @0.3MHz ~ 30MHz / -14dB Minimum @40MHz ~ 60MHz  
                   -12dB Minimum @80MHz ~ 100MHz  
 Common Mode Rejection: -40dB Minimum @1MHz ~ 60MHz  
                               -35dB Minimum @60MHz ~ 100MHz  
 Crosstalk: -35dB Minimum @1MHz ~ 10MHz / -26dB Minimum @15MHz ~ 60MHz  
               -24dB Minimum @60MHz ~ 100MHz

**Schematics**



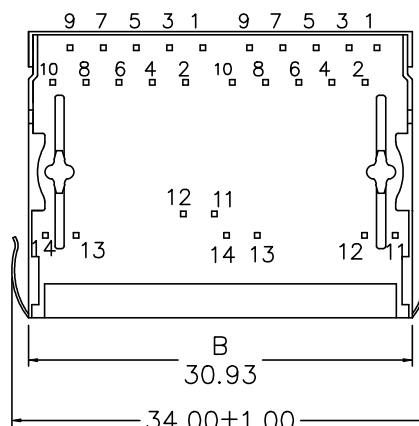
**HR915210C**

- RoHS Compliant (PB Free)
- Meets or Exceeds IEEE802.3ab standards including 350uH Min OCL with 8mADC
- High performance for EMI suppression, Crosstalk, Return Loss and Consistent Electrical
- Minimum 2250VDC isolation per IEEE802.3 requirement
- Minimize PCB space and Simplify PCB Layout
- Less magnetic components to be placed on PCB, higher reliability and yields
- UL Recognized Component: File # E330599

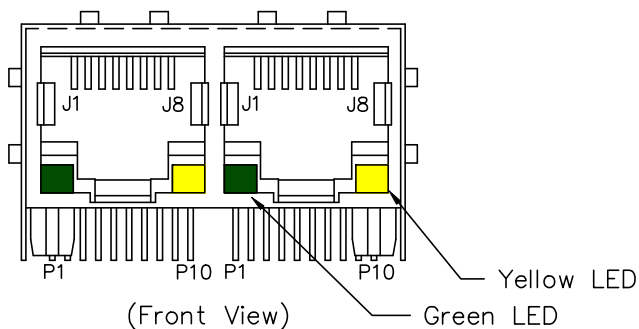
**Mechanical Dimensions:**



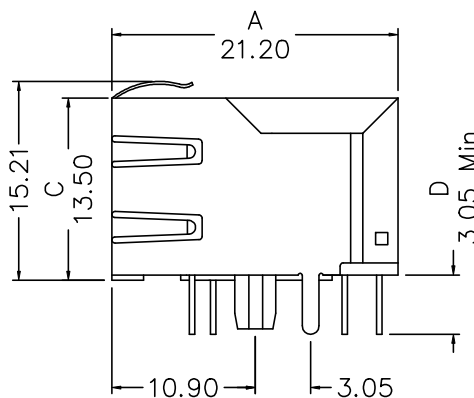
(Top View)



(Bottom View)



(Front View)



(Side View)

Standard LED	Wavelength	Forward V (Min/Max)	Forward A	Type
Green	568nm	1.8V/2.8V	20mA	squareness
Yellow	585nm	1.8V/2.8V	20mA	squareness

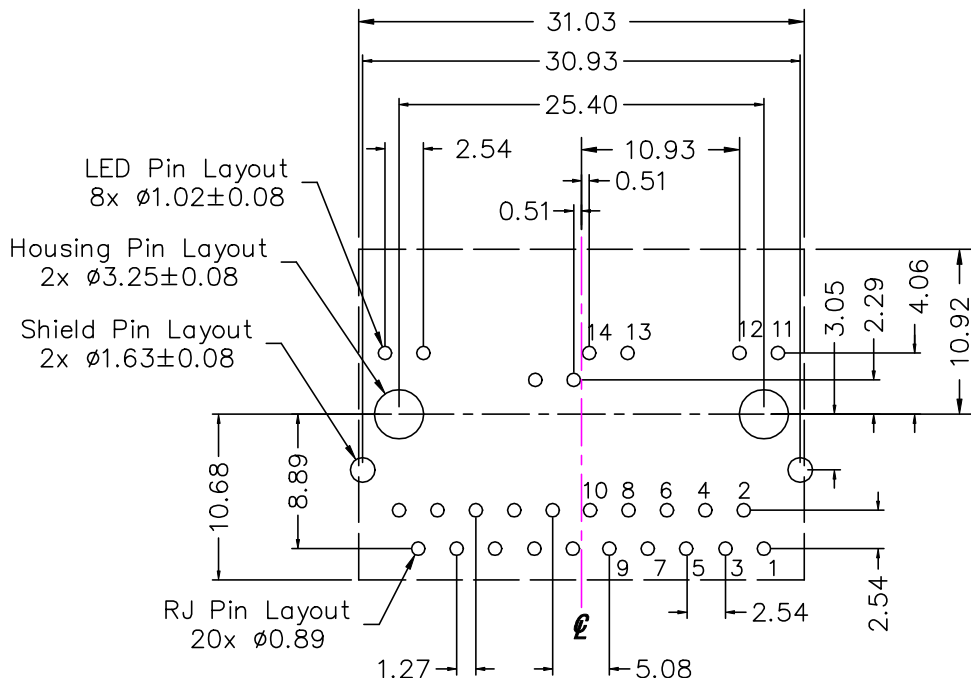
Dimensions in mm

Unless otherwise specified, Tolerance: .xx ±0.25

REV.: 00

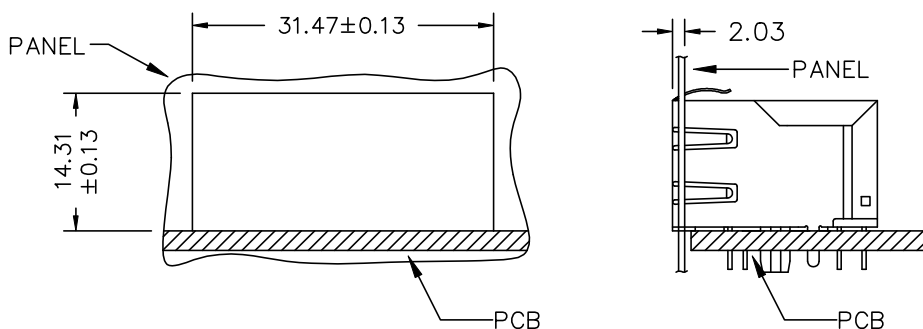
**HR915210C**

**PCB Layout:**



Recommended PCB layout (Component Side View)  
All dimension tolerance are  $\pm 0.08$  unless otherwise specified

**Suggested Panel Cutout:**



SUGGESTED PANEL OPENING

Dimensions in mm

Unless otherwise specified, Tolerance:  $.xx \pm 0.25$

REV.: 00

## HR915210C

### Material Specification:

Housing: PBT GF Black UL94V-0  
Shield: 30u" Nickel over 0.20mm Thickness Brass  
Insert: PBT GF Black UL94V-0  
Phosphor Bronze 0.35mm Thickness  
Plating Area, 30u" gold over 50u" nickel  
Solder Area, 100u" tin over 50u" nickel

### Mechanical Performance:

Mating force: 5 lbs Maximum  
Unmating force: 5 lbs Maximum  
Operating life: 750 Cycles Minimum

### Operating and Storage Temperature:

Operating Temperature Range: 0°C ~ +70°C  
Storage Temperature Range: -40°C ~ +85°C

## X-ON Electronics

Largest Supplier of Electrical and Electronic Components

*Click to view similar products for [Modular Connectors / Ethernet Connectors](#) category:*

*Click to view products by [HanRun](#) manufacturer:*

Other Similar products are found below :

[8949-H88/06BLKA/SN](#) [74441-0010/BKN](#) [PHP-6P6C-5](#) [GAX-3-66](#) [GDCX-PN-66](#) [GLX-A-44](#) [GLX-N-1010M-BLK](#) [GLX-S-88M-BLK](#)  
[GMX-SMT4-N-88](#) [GSGX-N-2-88](#) [GSGX-N-4-88](#) [GSX-NS2-88-3.05](#) [GSX-NS-88-3.68](#) [PT-108A-8C-UL](#) [PTS-J531-8CS-50UL](#) [A-2014-0-4](#)  
[GWLX-S9-88-YG](#) [DC-1021-8-WH-6](#) [1300530003](#) [1324640-4](#) [132764-001](#) [1413235](#) [MPS88RX-5000](#) [E5288-S000K3-L](#) [155302-001](#)  
[AX101050](#) [AX101063](#) [AX101065](#) [AX101072](#) [AX101307](#) [AX101315](#) [AX101318](#) [AX102271](#) [AX102277](#) [AX102651](#) [AX102660](#) [AX104024](#)  
[203475](#) [PC4D0018P](#) [KIT38082NI](#) [8949-B88/6](#) [2-6609208-5](#) [30-8956](#) [30-8964-100](#) [SM85](#) [SM99S01VBNN04G7](#) [17-103540](#) [191587](#) [PDI-68-RV](#) [PHP-8P8C-S-5](#)