

HR961160C

Electrical Specification @25°C

RoHS Compliant (PB Free)

Isolation: 1500Vrms (UTP Side to Chip Side)

OCL: 350uH Minimum @100KHz 100mV with 8mADC

Insertion Loss: -1.0dB Maximum @1MHz ~ 65MHz

Return Loss: -20dB Minimum @1MHz ~ 10MHz / -16dB Minimum @30MHz

-12dB Minimum @60MHz ~ 80MHz

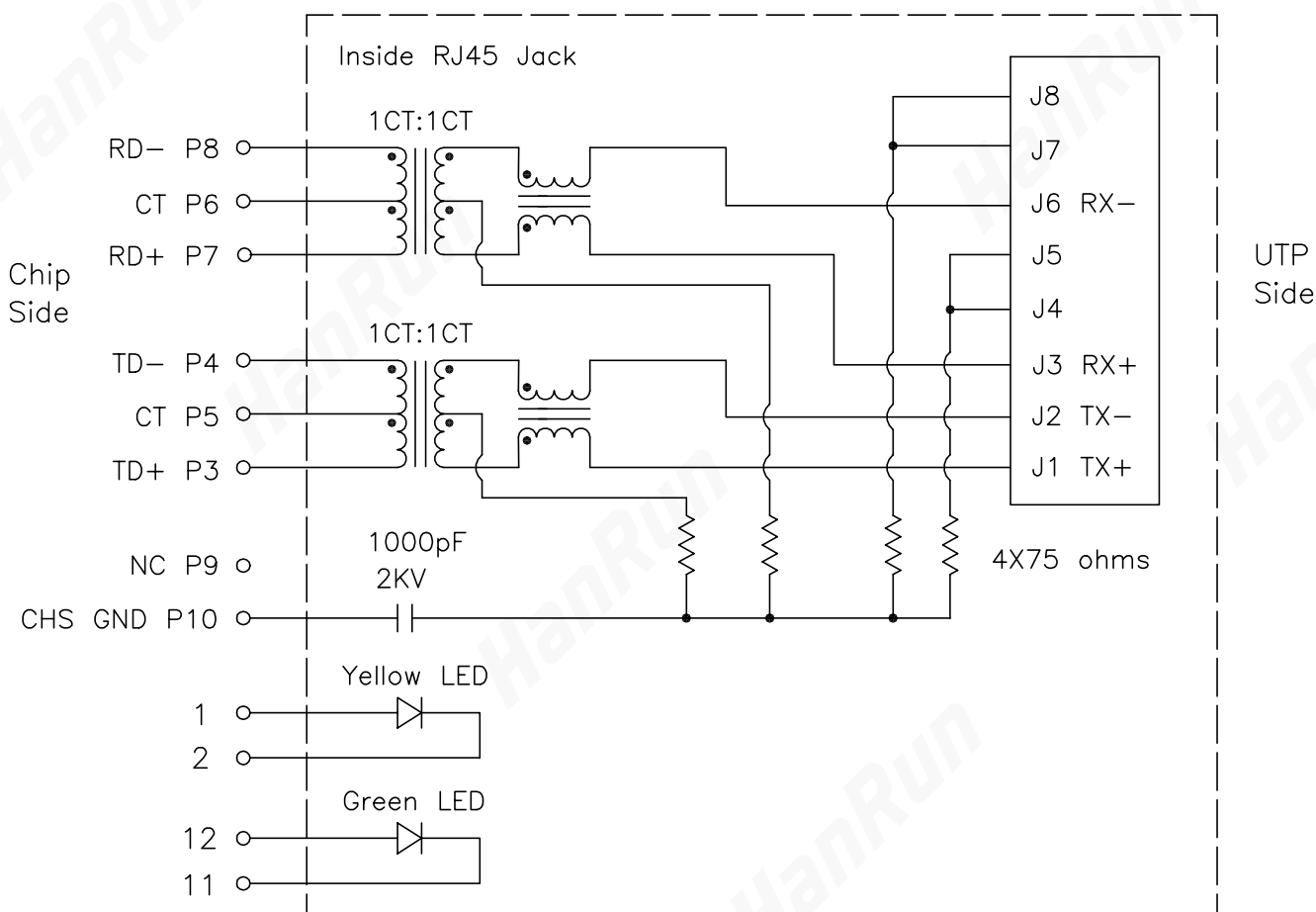
Common Mode Rejection: -30dB Minimum @1MHz ~ 50MHz

-20dB Minimum @50MHz ~ 130MHz

Crosstalk: -40dB Minimum @1MHz ~ 10MHz / -35dB Minimum @30MHz ~ 60MHz

-30dB Minimum @60MHz ~ 100MHz

Schematics

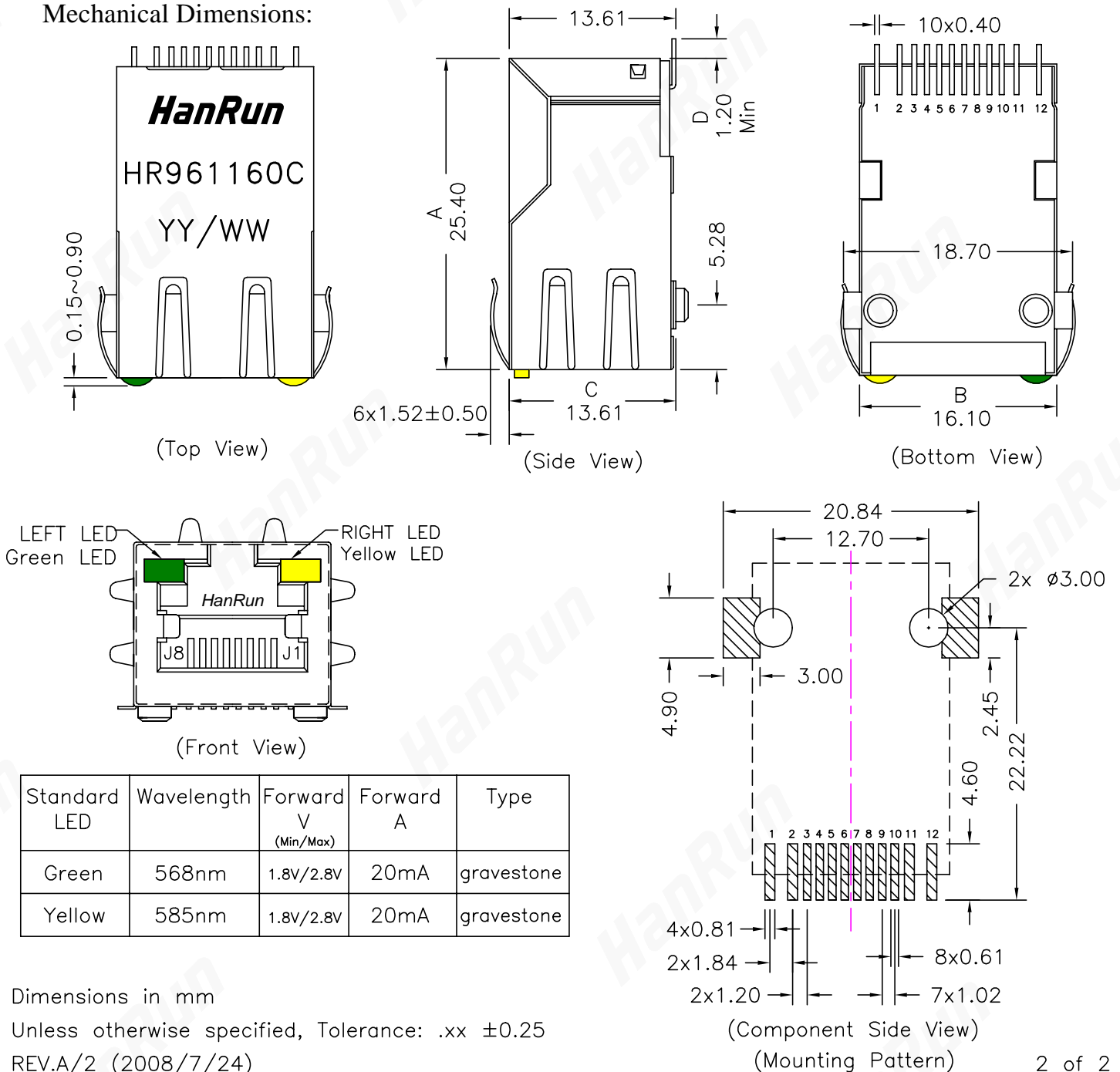


Notes: Connect CHS GND to PCB Ground

HR961160C

- RoHS Compliant (PB Free)
- Designed for Network Interface Card Application
- Meets or Exceeds IEEE802.3 standards including 350uH Min OCL with 8mADC
- High performance for EMI suppression, Crosstalk, Return Loss and Consistent Electrical
- Minimum 1500Vrms isolation per IEEE802.3 requirement
- Minimize PCB space and Simplify PCB Layout
- Less magnetic components to place on PCB, Higher reliability and yields

Mechanical Dimensions:



Dimensions in mm

Unless otherwise specified, Tolerance: .xx ±0.25

REV.A/2 (2008/7/24)

X-ON Electronics

Largest Supplier of Electrical and Electronic Components

Click to view similar products for [Modular Connectors / Ethernet Connectors](#) category:

Click to view products by [HanRun](#) manufacturer:

Other Similar products are found below :

[8949-H88/06BLKA/SN](#) [74441-0010/BKN](#) [PHP-6P6C-5](#) [GAX-3-66](#) [GAX-8-62](#) [GDCX-PN-66](#) [GLX-A-44](#) [GLX-N-1010M-BLK](#) [GMX-SMT4-N-88](#) [GSGX-N-2-88](#) [GSGX-N-4-88](#) [GSX-NS2-88-3.05](#) [GSX-NS-88-3.68](#) [PT-108A-8C-UL](#) [PTS-J531-8CS-50UL](#) [1-1775629-2](#) [A-2014-0-4](#) [GWLX-S9-88-YG](#) [DC-1021-8-WH-6](#) [1300530003](#) [1324640-4](#) [RJ11FTVC2G](#) [RJ11FTVC2N](#) [RJFTVX2SA1G](#) [132764-001](#) [1413235](#) [MPS88RX-5000](#) [E5288-S000K3-L](#) [155302-001](#) [AX101050](#) [AX101063](#) [AX101065](#) [AX101072](#) [AX101307](#) [AX101314](#) [AX101315](#) [AX101318](#) [AX102271](#) [AX102288](#) [AX102651](#) [AX102660](#) [HXJ5EOR](#) [J0012D21NL](#) [J0026D01ENL](#) [PC4D0018P](#) [8949-B88/6](#) [2-6609208-5](#) [937-SP-3088-2PC-A192](#) [303066VFL](#) [303068V](#)