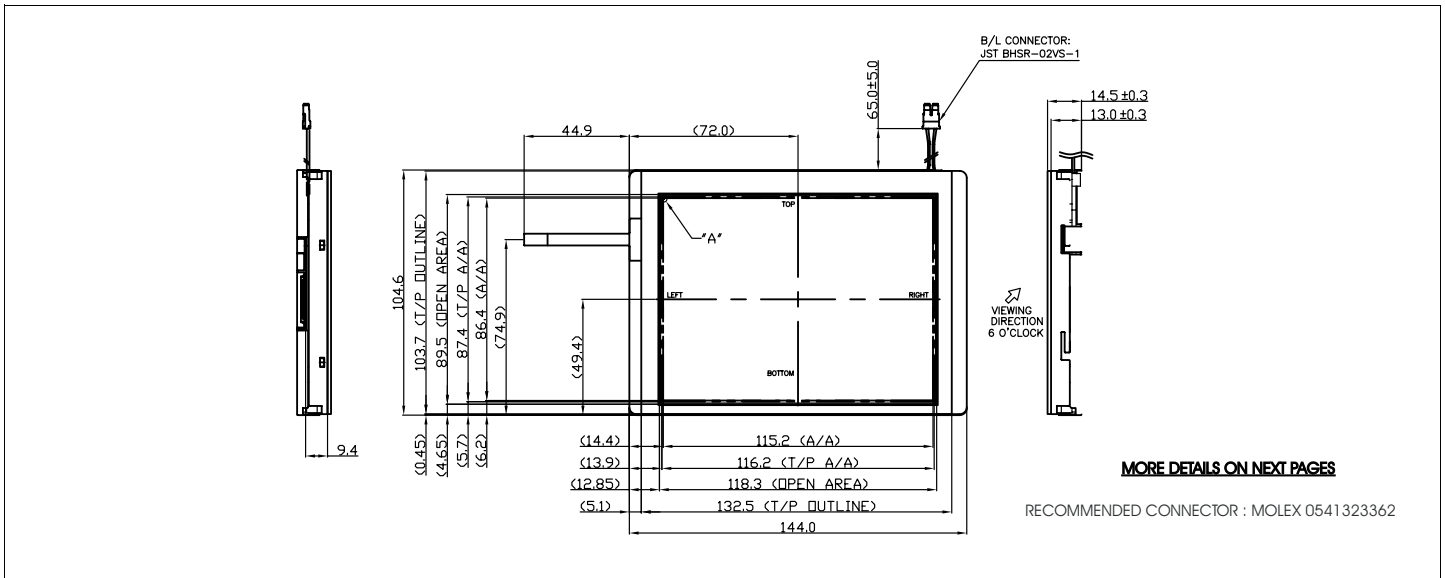


HDA570V-V

Dimensional Drawing

5.7", VGA, TFT, Transmissive Color, White LED Backlight



Features

- Viewing Angle(H/V).....120/105 degrees
- High Contrast.....400:1
- Fast Response Time.....45 msec
- Built-in DC-DC Converter
- Built-in Controller.....none
- Touch Screenoptional

Electrical Characteristics (VCC=3.3±0.125V 25°C)

PARAMETER	SYM	CONDITION	MIN	TYP	MAX	UNIT
OPERATING VOLTAGE	V _{CC}	-	3.0	3.3	3.6	V
INPUT HIGH VOLTAGE	V _{IH}	-	0.7V _{DD}	-	V _{DD}	V
INPUT LOW VOLTAGE	V _{IL}	-	0	-	0.3V _{DD}	V
OPERATING CURRENT	I _{CC}	-	-	TBA	-	mA
LED OPERATING VOLTAGE	V _{LED}	I _F = 140 mA	-	9.9	-	V
OPERATING CURRENT	I _{FLED}	-	-	140	-	mA
POWER CONSUMPTION	P _D	-	-	TBA	-	W
BRIGHTNESS	L	Average	280	340	-	cd/m ²

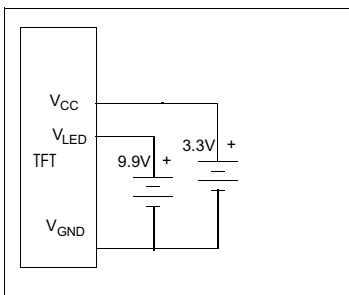
Physical Data

- Module Size.....144.0W x 104.6H x 13.0T mm
- Viewing Area Size.....115.2W x 86.4H mm
- Dot Pitch.....0.060W x 0.180H mm
- Weight.....216g

Pin Connections

PIN NO	SYMBOL		FUNCTION
1	VSS	-	Ground Pin
2	CLK	H/L	Data Sampling Clock
3	Hsync	L	Horizontal Sync
4	Vsync	L	Vertical Sync
5	VSS	-	Ground Pin
6	R0	H/L	Red Data Signal (LSB)
7	R1	H/L	Red Data Signal
8	R2	H/L	Red Data Signal
9	R3	H/L	Red Data Signal
10	R4	H/L	Red Data Signal
11	R5	H/L	Red Data Signal (MSB)
12	VSS	-	Ground Pin
13	G0	H/L	Green Data Signal (LSB)
14	G1	H/L	Green Data Signal
15	G2	H/L	Green Data Signal
16	G3	H/L	Green Data Signal
17	G4	H/L	Green Data Signal
18	G5	H/L	Green Data Signal (MSB)
19	VSS	-	Ground Pin
20	B0	H/L	Blue Data Signal (LSB)
21	B1	H/L	Blue Data Signal
22	B2	H/L	Blue Data Signal
23	B3	H/L	Blue Data Signal
24	B4	H/L	Blue Data Signal
25	B5	H/L	Blue Data Signal
26	VSS	-	Ground Pin
27	DEN	-	Data Enable Input
28	VCC	-	3.3V Power Supply
29	VCC	-	3.3V Power Supply
30	REV	H/L	Horizontal Display Mode
31	VSS	-	Ground Pin
32	DISP	H/L	ON/OFF Control Input
33	VSS	-	Ground Pin

Power Supply



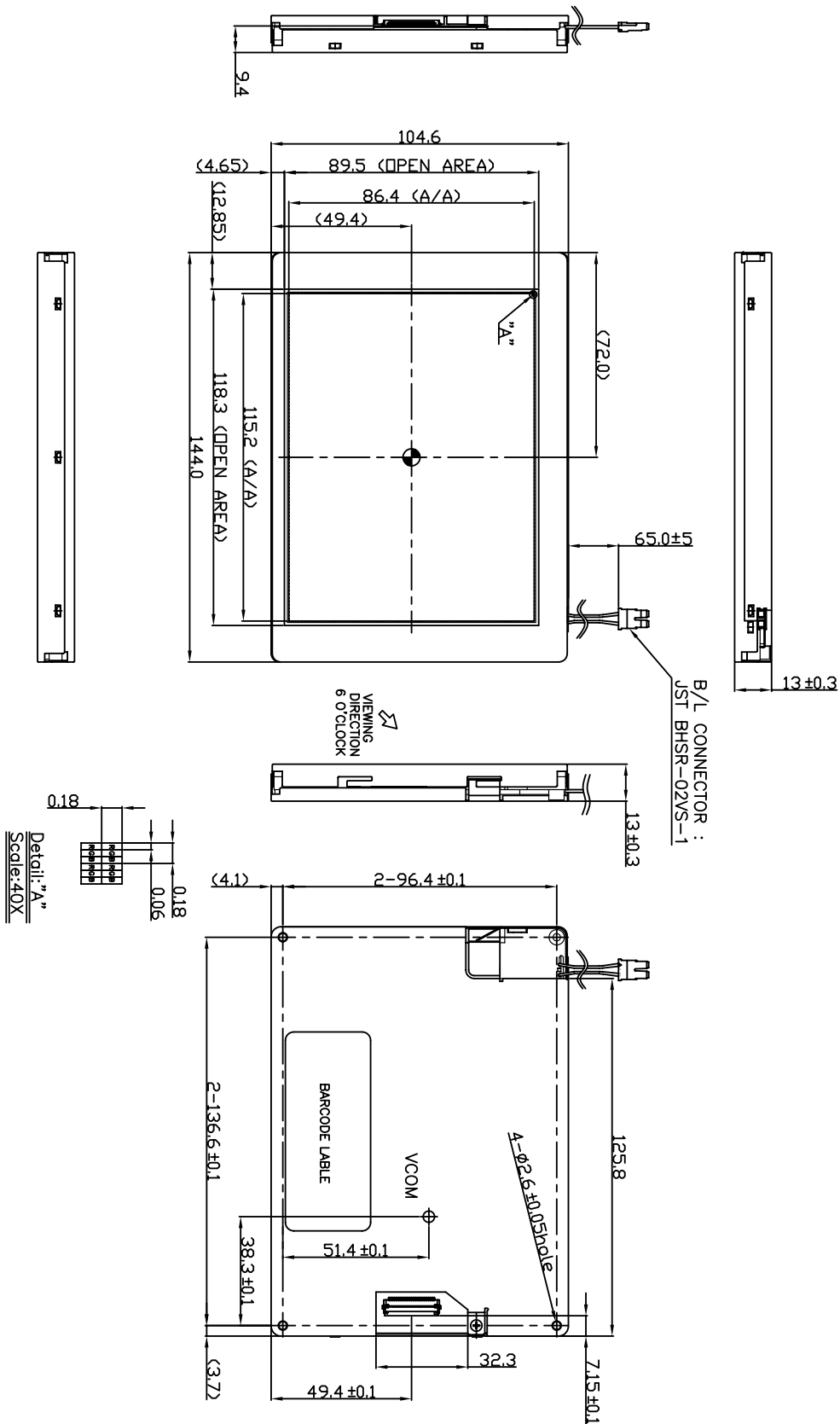
Absolute Maximum Ratings

PARAMETER	SYMBOL	MIN	MAX	UNIT
SUPPLY VOLTAGE	V _{CC}	-0.3	4.3	V
BACKLIGHT CURRENT (LED)	I _{LED}	-	175	mA
BACKLIGHT VOLTAGE (LED)	V _{LED}	-	15	V
INPUT VOLTAGE	V _{IN}	-0.3	V _{DD} + 0.3	V
OPERATING TEMPERATURE	T _{OP}	-20	70	°C
STORAGE TEMPERATURE	T _{STG}	-30	80	°C

HDA570W

Dimensional Drawing

5.7", VGA, TFT, Color Graphics, White LED Backlight



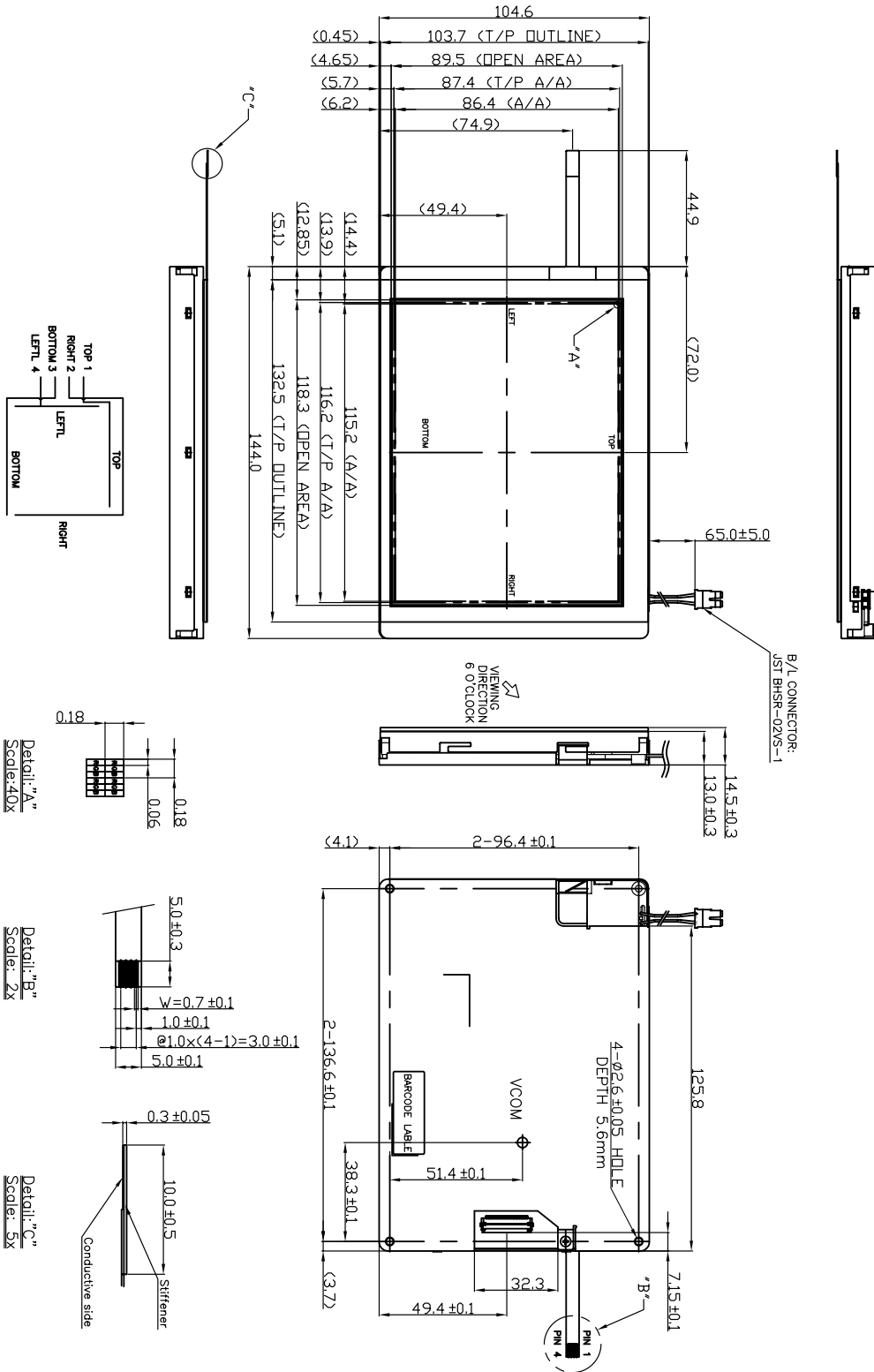
HDA570VT - V

Dimensional Drawing

5.7" , VGA, TFT, with Touch Screen, White LED Backlight

With TOUCH SCREEN

Touch screen CONNECTOR : KYOCERA-ELCO 046227004100829+



X-ON Electronics

Largest Supplier of Electrical and Electronic Components

Click to view similar products for [TFT Displays & Accessories](#) category:

Click to view products by [Hantronix](#) manufacturer:

Other Similar products are found below :

[F3ET2-005-150](#) [HDA430T-3G1H](#) [NL8048AC19-14F](#) [NL6448BC20-21D](#) [NB7W-KBA04](#) [NB-ATT01](#) [NB5Q-ATT01](#) [NB5Q-KBA04](#) [NB-CN001](#) [OAI-80038AA-2008-A](#) [315-U004B15300](#) [UMSH-8596MD-34T \(REV D\)](#) [TX14D23VM5BAA](#) [TCG121WXLRXVNNANX35](#) [EIC-LCD-1080P](#) [T-55619GD065J-LW-ABN](#) [TCG104SVLPEANN-AN30](#) [NL6448BC33-70](#) [NL6448BC20-30D](#) [NL10276BC16-06](#) [NL192108AC10-01D](#) [NL12880BC20-05BD](#) [NL8060BC26-35BA](#) [NL8060BC31-50F](#) [TM070DDHG03-40](#) [PTPW16-070WV1S02](#) [PTPW17-070WV1S02](#) [PTPW16-084SV1S02](#) [MTD0300ECP06DF-1](#) [DEM 320240T VMX-PW-N \(A-TOUCH\)](#) [DEM 480128B TMH-PW-N \(A-TOUCH\)](#) [DEM 480272P VMX-PW-N \(C-TOUCH\)](#) [DEM 480272Q VMX-PW-N \(A-TOUCH\)](#) [DEM 480272Q VMX-PW-N \(C-TOUCH\)](#) [DEM 640480E TMH-PW-N \(A-TOUCH\)](#) [DEM 800480K1 TMH-PW-N \(A-TOUCH\)](#) [DEM 800480K1 TMH-PW-N \(C-TOUCH\)](#) [DEM 800480K2 TMH-PW-N \(A-TOUCH\)](#) [DEM 800480K3 TMH-PW-N \(C-TOUCH\)](#) [DEM 800480K4 TMH-PW-N \(A-TOUCH\)](#) [DEM 800480K4 TMH-PW-N \(C-TOUCH\)](#) [4DLCD-35480320-CTP-IPS](#) [4DLCD-35480320-IPS](#) [4DLCD-35480320-RTP-IPS](#) [4DLCD-50800480-CTP-IPS](#) [EA TFT009-81AINN](#) [RFA6400E-AWH-DNG](#) [RFA6400E-AWH-MNN](#) [RFE430V-AZW-DNS](#) [RFF70VA2-1IW-DHS](#)