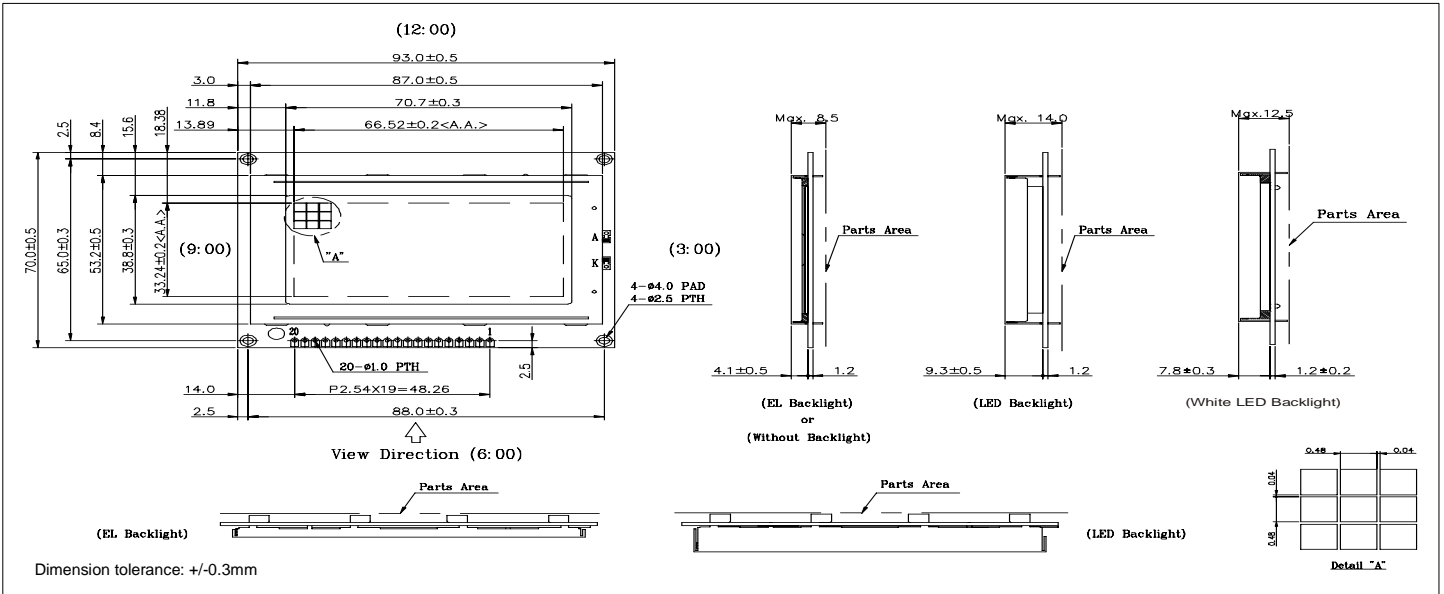


HDM64GS12

Dimensional Drawing

128 X 64 Dots Graphic



Features

Backlight.....(White) LED, EL or NONE optional
 Options.....Gray or Yellow STN, Black & White FSTN
 Normal/Extended Temperature
 Bottom / Top Viewing
 Built-in Controller.....Samsung KS108B

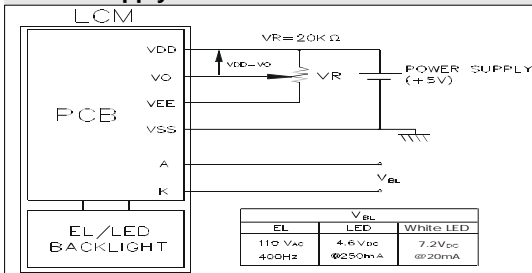
Physical Data

Module Size (LED Backlight).....93.0W x 70.0H x 14.0T mm
 (White LED Backlight).....93.0W x 70.0H x 12.5T mm
 (None or EL Backlight).....93.0W x 70.0H x 8.5T mm
 Viewing Area Size.....70.7W x 38.8H mm
 Dot Pitch.....0.52W x 0.52H mm
 Dot Size.....0.48W x 0.48H mm
 Weight.....54.4g (None), 56.5g (EL), 76.5g (LED)

Absolute Maximum Ratings

PARAMETER	SYMBOL	MIN	MAX	UNIT
Supply Voltage	$V_{DD}-V_{SS}$	0	7.0	V
Input Voltage	V_{IN}	-	7.0	V
Operating Temperature	T_{OP}	0	50	°C
Storage Temperature	T_{STG}	-20	70	°C
LED Peak Forward Current (White LED)	I_p		540	mA
			60	mA
EL Applied Voltage	V_L		150	V_{rms}
EL Applied Frequency	F_L		1000	Hz

Power Supply



Pin Connections

PIN NO.	SYMBOL	FUNCTION	
1	V_{SS}	0V	Ground
2	V_{DD}	5V	Power supply for logic
3	V_L	-	Operating voltage for LC
4	D/I	H/L	1=Data, 0=Instruction
5	R/W	H/L	1=Data read, 0=Data write
6	E	H/H->L	Enable
7	DB0	H/L	Data bus
8	DB1	H/L	
9	DB2	H/L	
10	DB3	H/L	
11	DB4	H/L	
12	DB5	H/L	
13	DB6	H/L	
14	DB7	H/L	
15	CS1	H	Left Half Chip Select
16	CS2	H	Right Half Chip Select
17	RS	L	Reset
18	V_{EE}	Output	#
19	K	(-F TYPE)	LED Cathode
	A	(-S TYPE)	LED Anode (White LED, -F TYPE)
20	A	(-F TYPE)	LED Anode
	K	(-S TYPE)	LED Cathode (White LED, -F TYPE)

Has built-in inverter for negative power supply

Electrical Characteristics (VDD=5.0±0.25V 25°C)

PARAMETER	SYM	CONDITION	MIN	TYP	MAX	UNIT
Input High Voltage	V_{IH}	-	.7 V_{DD}	-	V_{DD}	V
Input Low Voltage	V_{IL}	-	-	-	.3 V_{DD}	V
Power Supply Voltage	$V_{DD}-V_L$	$V_{DD}=5.0V$	13.0 8.9	13.5 9.2	14.0 9.5	V
Power Supply Current	I_{DD}	$V_{DD}=5.0V$	-	1.9	2.9	mA
LED Forward Current (White LED)	I_F	$V_F=4.6V$	-	250	540	mA
		$V_F=7.2V$	-	20	30	mA
EL Current	I_L	-	-	5.0	8.0	mA_{rms}
EL Power Consumption	P_L	-	-	0.55	-	W
DRIVE METHOD			1/64 Duty			

X-ON Electronics

Largest Supplier of Electrical and Electronic Components

Click to view similar products for [LCD Graphic Display Modules & Accessories](#) category:

Click to view products by [Hantronix](#) manufacturer:

Other Similar products are found below :

[HDM64GS12L-Y11S](#) [MGLS-240128-Z05](#) [DEM 128064C1 FGH-PW](#) [DEM 128064U FGH](#) [DEM 240064E FGH-PW](#) [11557](#) [18396](#) [15932](#)
[TMH2GDB](#) [HDM64GS24L-2-Y14S](#) [RG12864B-FHW-V](#) [RG12864C-YHW-V](#) [RG12864K-BIW-VBG](#) [RG320240A1-BIW-V](#) [DEM 128064A](#)
[SBH-PW-N](#) [DEM 128064B SBH-PW-N](#) [DEM 128064G FGH-PW](#) [DEM 128064O FGH-PW](#) [DEM 128064O SBH-PW-N](#) [DEM 128064P](#)
[SBH-PW-N](#) [DEM 128064Q SBH-PW-N](#) [DEM 128128D FGH-PW](#) [DEM 240064B FGH-PW](#) [DEM 240064B SBH-PW-N](#) [DEM 320240B](#)
[FGH-PW-N](#) [16239](#) [RX12864A1-BIW](#) [RX240128A-FHW](#) [RX240160A-FHW](#) [18370](#) [19340](#) [RG24064A-TIW-V](#) [EA FL-14P](#) [GLK19264A-](#)
[7T-1U-TCI](#) [GLK19264A-7T-1U-USB-WB](#) [DEM 320240I SBH-PW-N](#) [GLK24064R-25-1U-WB](#) [DEM 240160A FGH-PW](#) [RG12864B1-BIW-](#)
[V](#) [RG240128B-BIW-V](#) [RG24064A-FHW-V](#) [DEM 122032B SYH-LY](#) [DEM 128064A FGH-PW \(A-TOUCH\)](#) [DEM 128064A SBH-PW-N \(A-](#)
[TOUCH\)](#) [DEM 128064B FGH-PW](#) [DEM 128064H SBH-PW-N](#) [DEM 128064J FGH-PW](#) [DEM 128064K SBH-PW-N](#) [DEM 128064P FGH-](#)
[PW](#) [DEM 320240C SBH-PW-N](#)