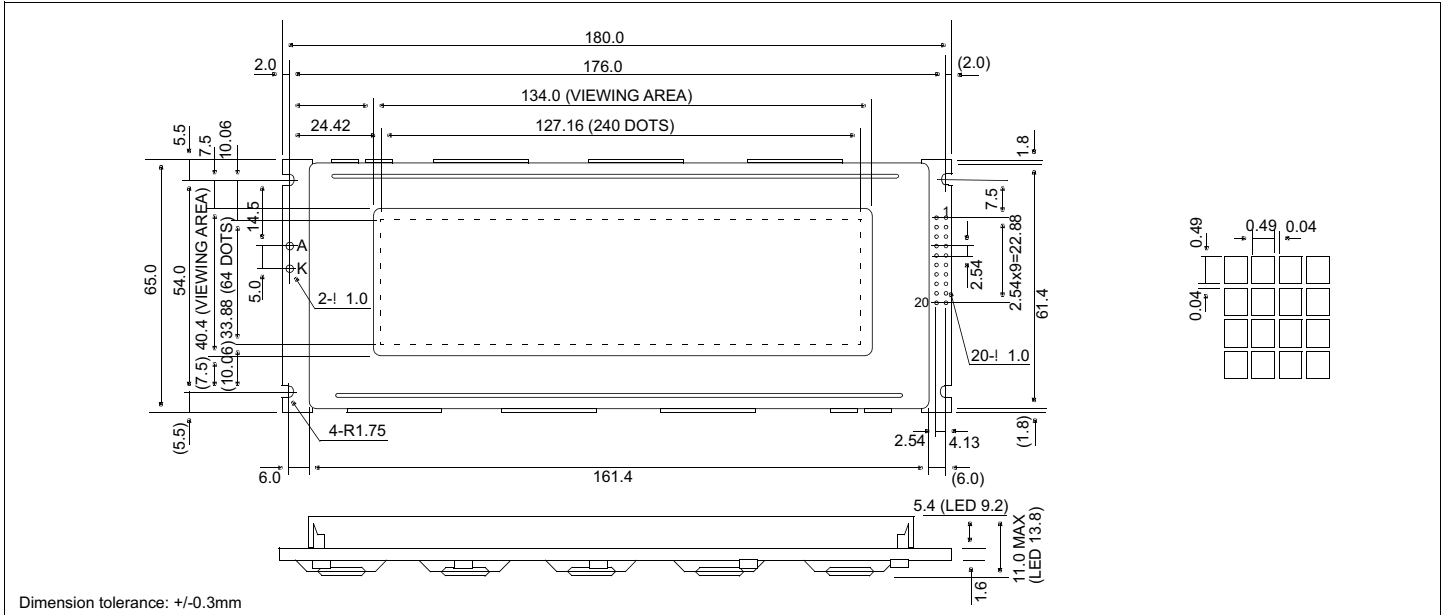


HDM 64GS24_-2

Dimensional Drawing

240 X 64 Dots Graphic, Single Power Supply



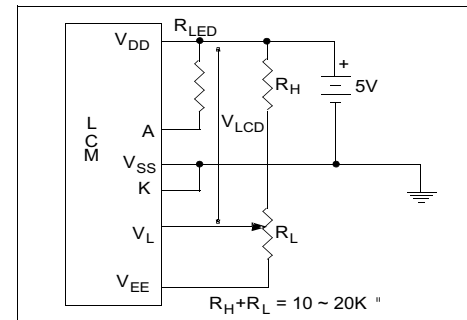
Features

- Backlight.....(White) LED, EL or None Optional
- Options.....FSTN, Gray or Yellow STN
- Normal/ Extended Temperature
- Bottom/ Top Viewing
- Built-in Controller.....Toshiba T6963C

Physical Data

- Module Size.(None or EL backlight) 180.0W x 65.0H x 11.0T mm
- (LED backlight) 180.0W x 65.0H x 13.8T mm
- Viewing Area Size.....134.0W x 40.4H mm
- Dot Pitch.....0.53W x 0.53H mm
- Dot Size.....0.49W x 0.49H mm

Power Supply



Absolute Maximum Ratings

PARAMETER	SYMBOL	MIN	MAX	UNIT
SUPPLY VOLTAGE	$V_{DD}-V_{SS}$	-0.3	7.0	V
INPUT VOLTAGE	V_{IN}	-0.3	$V_{DD}+0.3$	V
OPERATING TEMPERATURE	T_{OP}	0	50	°C
STORAGE TEMPERATURE	T_{STG}	-20	70	°C

Electrical Characteristics (VDD=5.0±0.25V 25°C)

PARAMETER	SYM	CONDITION	MIN	TYP	MAX	UNIT
OPERATING VOLTAGE	V_{DD}	-	4.5	5.0	5.5	V
POWER SUPPLY CURRENT	I_{DD}	$V_{DD}=5.0V$	-	9.84	-	mA
POWER SUPPLY VOLTAGE	V_L	$T_a=25^\circ C$	-	11.8	-	V
LED Forward Voltage (White)	V_F	$I_F=60mA$	2.9	3.2	3.5	V
(Yellow)		$I_F=675mA$	-	4.1	-	V
LED Forward Current (White)	I_F	$V_F=3.2V$	-	60	-	mA
(Yellow)		$V_F=4.1V$	-	675	-	mA
DRIVE METHOD		1/64 Duty				

Pin Connections

PIN NO.	SYMBOL	FUNCTION
1	FG	Frame ground
2	V_{SS}	0V Ground
3	V_{DD}	5V Power supply for logic
4	V_L	- Operating voltage for LC
5	WR	L Data write
6	RD	L Data Read
7	CE	L Chip enable
8	CD	H/L H=Command, L=Data
9	V_{EE}	Output #
10	RESET	L Reset
11	DB0	H/L
12	DB1	H/L
13	DB2	H/L
14	DB3	H/L
15	DB4	H/L
16	DB5	H/L
17	DB6	H/L
18	DB7	H/L
19	FS	H/L Font select
20	N/C	No connection

Has built-in inverter for negative power supply

X-ON Electronics

Largest Supplier of Electrical and Electronic Components

Click to view similar products for [LCD Graphic Display Modules & Accessories](#) category:

Click to view products by [Hantronix](#) manufacturer:

Other Similar products are found below :

[HDM64GS12L-Y11S](#) [MGLS-240128-Z05](#) [DEM 128064C1 FGH-PW](#) [DEM 128064U FGH](#) [DEM 240064E FGH-PW](#) [11557](#) [18396](#) [15932](#)
[TMH2GDB](#) [HDM64GS24L-2-Y14S](#) [RG12864B-FHW-V](#) [RG12864C-YHW-V](#) [RG12864K-BIW-VBG](#) [RG320240A1-BIW-V](#) [DEM 128064A](#)
[SBH-PW-N](#) [DEM 128064B SBH-PW-N](#) [DEM 128064G FGH-PW](#) [DEM 128064O FGH-PW](#) [DEM 128064O SBH-PW-N](#) [DEM 128064P](#)
[SBH-PW-N](#) [DEM 128064Q SBH-PW-N](#) [DEM 128128D FGH-PW](#) [DEM 240064B FGH-PW](#) [DEM 240064B SBH-PW-N](#) [DEM 320240B](#)
[FGH-PW-N](#) [16239](#) [RX12864A1-BIW](#) [RX240128A-FHW](#) [RX240160A-FHW](#) [18370](#) [19340](#) [RG24064A-TIW-V](#) [EA FL-14P](#) [GLK19264A-](#)
[7T-1U-TCI](#) [GLK19264A-7T-1U-USB-WB](#) [DEM 320240I SBH-PW-N](#) [GLK24064R-25-1U-WB](#) [DEM 240160A FGH-PW](#) [RG12864B1-BIW-](#)
[V](#) [RG240128B-BIW-V](#) [RG24064A-FHW-V](#) [DEM 122032B SYH-LY](#) [DEM 128064A FGH-PW \(A-TOUCH\)](#) [DEM 128064A SBH-PW-N \(A-](#)
[TOUCH\)](#) [DEM 128064B FGH-PW](#) [DEM 128064H SBH-PW-N](#) [DEM 128064J FGH-PW](#) [DEM 128064K SBH-PW-N](#) [DEM 128064P FGH-](#)
[PW](#) [DEM 320240C SBH-PW-N](#)