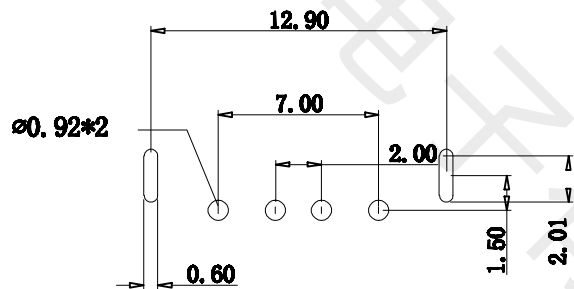
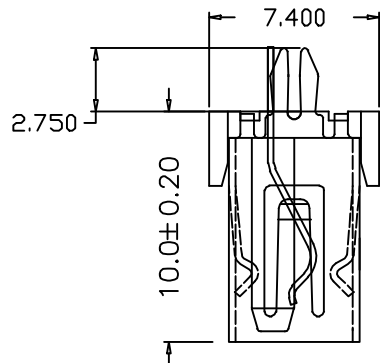
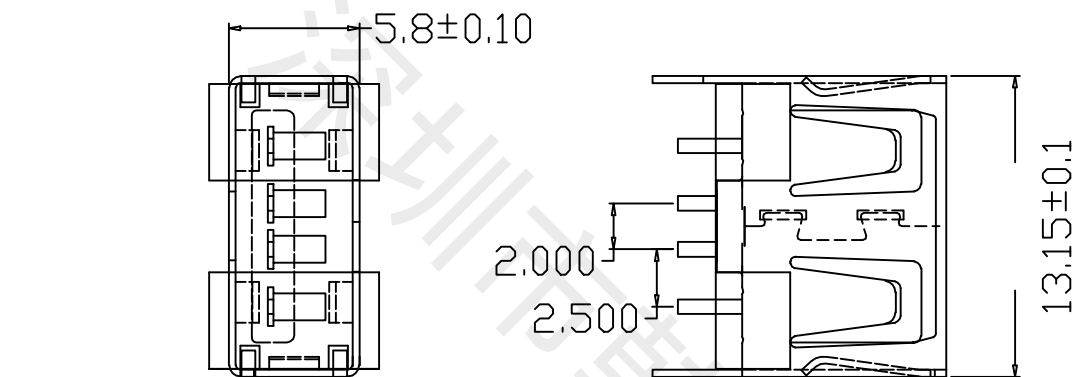


1 | 2 | 3 | 4 | 5 | 6

|            |                      |            |             |               |
|------------|----------------------|------------|-------------|---------------|
| 项目<br>Mapx | 变更内容<br>Modification | 日期<br>Date | 修改人<br>Draw | 核准<br>Approve |
|            |                      |            |             |               |

A

B



规格说明: Specifications:

电气特性: Electrical:

1. 额定电流: Current Rating  
1.5A/contact terminal
2. 额定电压: Voltage Rating  
30V DC
3. 接触阻抗: Contact Resistance  
30 milliohms MAX
4. 耐电压: Dielectric Withstanding Voltage:  
500 V AC AT Sea Level
5. 绝缘阻抗: Insulation Resistance:  
1000MEGA ohms MIN

物理性能: Mechanical:

1. 插拔力: Connector Mate and Unmate Force  
Mate force: 3.57kgf(MAX)  
Unmate force: 1.02kgf(MIN)
2. 端子保持力: Terminal Retention  
1.0kgf(MIN)

原材料: Material:

1. 塑胶: Housing:  
Hing Temperature Thermoplastics,
2. 端子: Contact: Copper Alloy C2680
3. 外壳: Shell: Copper Alloy SPCC

电镀: Finish:

1. 端子: Contact: Plated Gold in Mating Area;  
Tin On Solder Talls  
端子四周镀50U”(MIN)锡, 镀金区域镀100-200U”镀金1U”
2. 外壳: Shell:  
铜壳四周镀80U”(MIN)锡  
Nickel Plating

E

F

1 | 2 | 3 | 4 | 5 | 6 | 7 | 8

|                                     |       |               |            |             |     |               |                   |             |     |
|-------------------------------------|-------|---------------|------------|-------------|-----|---------------|-------------------|-------------|-----|
| 成品图<br>MANUFACTURE DWG              |       | 深圳市韩下电子有限公司   |            |             |     |               |                   |             |     |
| 公差一览表<br>TOLERANCE UNLESS OTHERWISE |       | 日期<br>DATE    | 2016.10.20 | 单位<br>UNIT  | MM  | 制图<br>DRAWING | 黄彬                | DWG NO.     |     |
| .X±0.20                             | X.±5' | 审核<br>CHECKED | 张伟         | 比例<br>SCALE | 1:1 | 品名<br>NAME    | HX 10.0 180° ZCZB |             |     |
| .XX±0.10                            | .X±2' | 核准<br>APPROVE | 罗小春        | 角法<br>VIEW  |     | 版本<br>VER     | AO                | 页数<br>SHEET | 003 |



深圳市韩下电子有限公司

Shenzhen Hanxia Electronic Co., Ltd  
Tel: 0755-33819206 Fax: 0755-27597491

## 承 认 书

### SPECIFICATION FOR APPROVAL

客 户 Customer:

\_\_\_\_\_

产品名称 Project:

USB

规格型号 Part No:

HX 10.0 180° ZCZB

#### 贵公司承认印 Approval signatures

| 料 号/Part No. | 签 章/Signatures |
|--------------|----------------|
|              |                |

日期 Date:

|             |     |  |
|-------------|-----|--|
| 拟制/Drawn    | 黄彬  |  |
| 审核/Check    | 张伟  |  |
| 批准/Approved | 罗小春 |  |

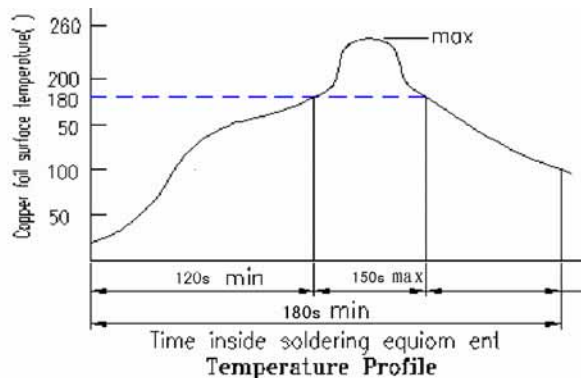


|  |  |   |  |
|--|--|---|--|
| RATING (额定值):                            |  | DC 30V  | 1.5A   |
| PRACTICAL TEMPERATURE RANGE<br>使用温度范围    | -25~85° C<br>在-25° C~+85° C 温度内使用  |   |  |
| STANDARD ATMOSPHEIC CONDITIONS<br>测试标准状况 | <p>UNLESS OTHERWISE SPECIFIED<br/>THE STANDARD RANGE OF ATMOSPHERIC CONDITIONS FOR MAKING MEASUREMENTS AND TESTS ARE AS FOLLOWS:</p> <p>(1) BETWEEN BODY AND CONDUCTOR: 5° C TO 35° C<br/>(2) BETWEEN CONDUCTORS NOT TO BE CONTACT: 45% TO 85%<br/>(3) PRESSURE: 86Kpa TO 106Kpa</p> <p>在没有指定的情况下测试温度、湿度、气压如下:</p> <p>(1) 温度为 5° C~35° C<br/>(2) 湿度为 45%~85%<br/>(3) 气压为 86 Kpa~106Kpa</p> |   |  |
| MECHANICAL (机械性能)                        |  |   |  |
| ITEM 项目                                  |  | TEST CONDITIONS 测试条件  | PERFORMANCE 规格   |
| 1  | CONNECTION FORCE<br>插入力度   | MEASUREMENT SHALL BE MADE AFTER CONNECTING AND DISCONNECTING USING STANDARD PLUG GAUGE 3 TIMES.<br>依据标准的 PLUG GAUGE 做第 3 次拔插后测定   | 3.57Kgf MAX  |
|  | DISCONNECTI ON FORCE<br>拔出力度   | MEASUREMENT SHALL BE MADE AFTER CONNECTING AND DISCONNECTING USING STANDARD PLUG GAUGE 3 TIMES.<br>依据标准的 PLUG GAUGE 做第 3 次拔插后测定   | 1.02Kgf MIN  |
| 2  | TERMINAL STRENGTH<br>端子强度  | A STATIC LOAD OF 0.1N/m(1kgf/cm)SHALL BE APPLIED TO THE TIP OF THE TERMINAL FOR 1 MIN IN ANY DIRECTION<br>向排脚先端的任意一个方向加 1 分钟 0.1N/m(1kgf/cm)的力度.  | THERE SHALL BE NO DAMAGE TO THE TERMINAL SUCH AS CRACKS, LOOSENESS OR PLAY ELECTRICAL ,AND MECHANICAL CHARACTERISTICS SHALL BE SATISFIED<br>在排脚中没有裂开、松动等异常, 满足于机械、电气性能 |
| ELECTRICAL (电气性能)                        |  |   |  |
| ITEM 项目                                  |  | TEST CONDITIONS 测试条件  | PERFORMANCE 规格   |
| 3.1                                      | CONTACT RESISTANCE<br>接触电阻   | MEASURED AT SMALL CURRENT (100m A OR LESS) 1000Hz<br>在微小电流 (100 m A) 以下测试   | 30m Ω MAX  |
| 3.2                                      | INSULATION RESISTANCE<br>绝缘电阻  | <p>APPLY A VOLTAGE OF 100V DC FOR 1 MIN TO FOLLOWING PORTIONS AFTER WHICH MEASUREMENT SHALL BE MADE:</p> <p>(1) BETWEEN BODY AND CONDUCTOR<br/>(2) BETWEEN CONDUCTORS NOT TO BE CONTACT<br/>(3) BETWEEN CONDUCTORS NOT TO BE WHEN PLUG IS INSERTED DC100V 1 MIN</p> <p>输入 100V DC 电压 1 分钟, 按以下接触方法测试:</p> <p>(1) 插座体与排脚之间<br/>(2) 不接触的排脚之间<br/>(3) 插头插入时不接触排脚之间</p> | 1000M Ω MIN  |

|     |                                   |  |  |
|-----|-----------------------------------|--|--|
| 3.3 | <b>DIELECTRIC STRENGTH</b><br>耐电压 | AC 500V rms(50~60Hz)FOR 1 MIN TRIP CURRENT:0.5mA<br>(1) BETWEEN BODY AND CONDUCTOR<br>(2) BETWEEN CONDUCTORS NOT TO BE CONTACT<br>(3) BETWEEN CONDUCTORS NOT TO BE WHEN PLUG IS INSERTED DC 500V 1 MIN<br>输入 AC 500V (50Hz)/min 电压 1 分钟感度电流为 0.5mA, 按以下接触方法测试:<br>(1) 插座体与排脚之间<br>(2) 不接触的排脚之间<br>(3) 插头插入时不接触排脚之间 | WITHOUT DAMAGE TO PARTS ARCING OR BREAKDOWN ETC<br>没有绝缘破坏等异常 |
|-----|-----------------------------------|--|--|

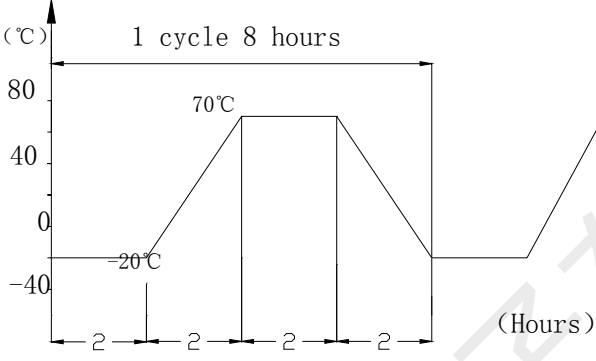
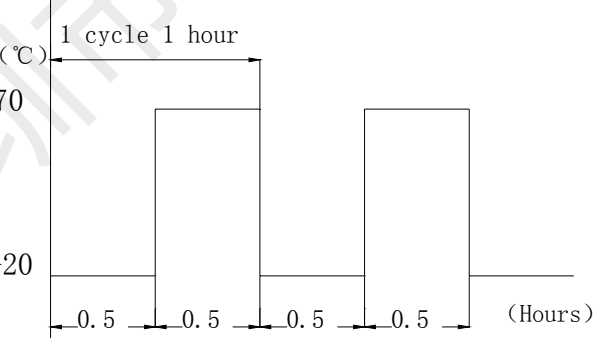
**URABILITY (耐久性)**

| ITEM 项目 | TEST CONDITIONS 测试条件  | PERFORMANCE 规格   |
|---------|---|--|
| 4. 1    | <b>SOLDERABILITY TEST</b><br>可焊性试验<br><br>THE TOP OF THE TERMINALS SHALL BE DIPPED 1mm IN THE SOLDER BATH OF 250±5°C FOR 5±0.5 SECONDS<br>端子顶部被浸入锡池中 1mm 深,温度为 250±5°C,时间为 5±0.5 秒  | (1) SOLDER WETTING TIME SHALL BE 3 SEC OR LESS<br>焊接时间应少于 3 秒<br>(2) THE AREA OF SOLDERING SHOULD BE OVER 75%<br>焊接面积应有 75%以上      |
| 4.2     | <b>RESISTANCE TO SOLDERING HEAT TEST</b><br>耐焊性试验<br><br>REFLOW SOLDERING CONDITIONS:<br>PREHEAT:TEMPERATURE ON THE COPPER FOIL SURFACE SHOULD REACH 180 .120S AFTER THE P.C.B ENTERED INTO THE SOLDERING EQUIPMENT.<br>TALLEST TEMPERATURE:TEMPERATURE ON THE COPPER FOIL SURFACE SHOULD REACH THE PEAK TEMPERATURE OF 260±5 WITH IN 20 SECONDS.<br><br>过回流焊条件:<br>预热:电镀层表面的温度应达到 180°C,120s 后电路板进入回流焊设备。<br>最高温度:电镀层表面温度最高为 260±5°C且停留不超过 20 秒。 | WITHOUT DEFOR MATION OF CASE OR EXCESSIVE LOOSENESS OF TEMINALS ELECTRICAL CHARACTERISTICS SHALL BE SATISFIED<br>本体无变形, 满足于机械、电气性能 |





|      |  |   |   |
|------|--|---|---|
| 4. 2 | <p>RESISTANCE TO SOLDERING HEAT TEST<br/>耐焊性试验</p> | <p>SOLDERING IRON METHOD:<br/>BIT TEMPERATURE <math>330 \pm 5^{\circ}\text{C}</math> APPLICATION TIME OF SOLDERING IRON <math>3 \pm 0.5</math> SEC<br/>HOWEVER EXCESSIVE PRESSURE SHALL NOT BE APPLIED TO THE TERMINAL<br/>手焊接的时候温度需控制在 <math>330 \pm 5^{\circ}\text{C}</math> , 时间为 <math>3 \pm 0.5</math> 秒, 但不能在排脚上施加异常压力。</p>   | <p>WITHOUT DEFORMATION OF CASE OR EXCESSIVE LOOSENESS OF TEMINALS ELECTRICAL CHARACTERISTICS SHALL BE SATISFIED<br/>本体无变形, 满足于机械、电气性能</p>   |
| 4. 3 | <p>HUMIDITY TEST<br/>潮湿试验</p>                      | <p>THE JACK SHALL BE STORED AT A TEMPERATURE OF <math>40 \pm 2^{\circ}\text{C}</math> AND A HUMIDITY OF 90% TO 96% FOR 96 Hr, THEN THE JACK SHALL BE MAINTAINED AT STANDARD ATMOSPHERIC CONDITION FOR 1 Hr FOR OTHER PROCEDURES<br/>放置 <math>40 \pm 2^{\circ}\text{C}</math> 的相应湿度为 90~96% Hr 环境中 96 小时后, 再将样板放在正常环境中 1 小时后进行测试</p>   | <p>THERE SHALL BE NO DAMAGE ON APPEARANCE.<br/>MECHANICAL AND ELECTRICAL CHARACTERISTICS SHALL BE SATISFIED<br/>外观无异常, 满足于机械、电气性能。</p>  |
| 4.4  | <p>HEAT TEST<br/>耐热试验</p>                          | <p>THE JACK SHALL BE STORED AT A TEMPERATURE OF <math>70 \pm 2^{\circ}\text{C}</math> FOR 96 HOURS, AND THEN IT SHALL BE SUBJECTED TO THE CONTROLLED RECOVERY MBASURBM<br/>放置在温度 <math>70 \pm 2^{\circ}\text{C}</math> 中测试 96 小时后, 再放置正常室温中 1 小时来测定</p>   |   |
| 4. 5 | <p>COLD TEST<br/>耐寒试验</p>                          | <p>THE JACK SHALL BE STORED AT A TEMPERATURE OF <math>-25 \pm 3^{\circ}\text{C}</math> FOR 96 HOURS AND THEN IT SHALL BE SUBJECTED TO THE CONTROLLED RECOVERY CONDITIONS FOR 1 HOUR AFTER WHICH<br/>放置在温度 <math>-25 \pm 3^{\circ}\text{C}</math> 中 96 小时后, 再放置常温常湿中 1 小时来测定</p>   | <p>THERE SHALL BE NO DAMAGE ON APPEARANCE<br/>MECHANICAL AND ELECTRICAL CHARACTERISTICS SHALL BE SATISFIED<br/>外观无异常, 满足于机械、电气性能</p>  |
| 4. 6 | <p>LIFE TEST<br/>寿命试验</p>                          | <p>WITHOUT LOAD<br/>CONNECTION AND DISCONNECTION SHALL BE MADE WITH THE MATING PLUGS AND JACKS FOR 5000 CYCLES AT A SPEED OF 10 TO 25 CYCLES/MIN<br/>无负荷<br/>将结合了的标准PI ug(尽量要近于中心的)在1分钟内以10-25的速度, 进行5000次插入, 拔出<br/>LOAD:<br/>AT RATING CONDITION (NON-INDUCTIVE LOAD)<br/>CONNECTION AND DISCONNECTION SHALL BE MADE 5000 CYCLES AT A SPEED 10 TO 20 CYCLES / MIN<br/>负荷<br/>以定格状态(无诱导负荷)在1 分钟内以10-20次的速度进行 5000 次插入、拔出</p> | <p>(1) CONTACT RESISTANCE SHALL BE <math>\leq 0.1 \Omega</math><br/>(2) DISCONNECTION FORCE SHALL BE 0.8 TO 2.0N<br/>(3) MECHANICAL AND ELECTRICAL CHARACTERISTICS SHALL BE SATISFIED<br/>(1) 接触电阻 <math>\leq 0.1 \Omega</math><br/>(2) 拔出力是 0.8~2.0N<br/>(3) 其它:满足于机械、电气性能</p> |

|            |  |   |  |
|------------|--|---|--|
| <p>4.7</p> | <p>TEMPERATURE CYCLING TEST<br/>温度循环测试</p> | <p>THE JACK SHALL BE SUB JECTED TO 5 CYCLES OF THE FOLLOWING CONDITIONS SHOWED IN THE FIGURE,AND THEN SHALL RETURNED ALLOWED TO REMAIN IN ROOM AMBIENT CONDITION FOR 30 MINUTES<br/>将插座以下列条件作 5 个循环，然后放回室内环境 30 分钟</p> <p>Temp(°C)</p>  <p>(Hours)</p>      | <p>THERE SHALL BE NO DEFORMATION OR CRACKS IN MOLDED PART.<br/>INSERTION &amp; EXTRACTION FORCE:3 TO 20N<br/>CONTACT RESISTANCE:MAX.30M Ω<br/>INSULATION RESISTANCE: MIN.100 M Ω<br/>DIELECTRIC WITHSTANDING VOLTAGE: 100VAC/MIN(BETWEEN TERMINALS)</p> <p>产品不能变形与破裂<br/>插拔力：3N 至 20N<br/>接触电阻：最大 30m Ω<br/>绝缘电阻：最小 100 M Ω<br/>绝缘耐压：最小 100VAC（端子之间）</p> |
| <p>4.8</p> | <p>COLD&amp;HEAT SHOCK TEST<br/>冷热冲击测试</p> | <p>THE JACK SHALL BE SUBJECTED TO 5 CYCLES OF THE FOLLOWING CONDITIONS SHOWED IN THE FIGURE,AND THEN SHALL RETURNED AND ALLOWED TO REMAIN IN ROOM AMBIENT CONDITION FOR 30 MINUTES<br/>将插座以下列条件作 5 个循环，然后放回室内环境 30 分钟</p> <p>TEMP (°C)</p>  <p>(Hours)</p> | <p>THERE SHALL BE NO DEFORMATION OR CRACKS IN MOLDED PART.<br/>INSERTION &amp; EXTRACTION FORCE:3 TO 25N<br/>CONTACT RESISTANCE:MAX.30M Ω<br/>INSULATION RESISTANCE: MIN.100 M Ω<br/>DIELECTRIC WITHSTANDING VOLTAGE: 500VAC/MIN(BETWEEN TERMINALS)</p> <p>产品不能变形与破裂<br/>插拔力：3N 至 25N<br/>接触电阻：最大 30m Ω<br/>绝缘电阻：最小 100 M Ω<br/>绝缘耐压：最小 500VAC（端子之间）</p> |

## X-ON Electronics

Largest Supplier of Electrical and Electronic Components

*Click to view similar products for [USB Connectors](#) category:*

*Click to view products by [hanxia](#) manufacturer:*

Other Similar products are found below :

[950](#) [MUSBD11135](#) [17-200721](#) [217450-1](#) [KMBVX-TH-5S-B30](#) [KUSBX-AS2N-W](#) [KUSBX-SMT2AP1S-W30](#) [935](#) [957](#) [30-498-6](#) [SK-60A-2](#)  
[1734082-1](#) [30-470](#) [30-489](#) [30-541](#) [A-USB A-2P-C](#) [MIKROE-1451](#) [USBFTVSCCG](#) [1-1734084-2](#) [10135326-001LF](#) [4198](#) [USB-A-D-VT](#)  
[USB-A-S-RA-TSMT](#) [1310-1023-02](#) [690-024-633-031](#) [UB-20PMFP-LC7001](#) [17-200011](#) [UB-20AFMM-LL7A01](#) [1040870124](#) [CAP-](#)  
[WCCMLPB1](#) [CAP-WCCMLPC1](#) [2274475-3](#) [UB-20BMFA-SL8001](#) [914-614A2025S10200](#) [USB3FTV7SAGF059](#) [ZX40-B-5S-1500-](#)  
[STDA\(30\)](#) [GSB3116344HR](#) [USB3FTV2SAZNF459](#) [USB3FTV7SAZNF459](#) [U221-041N-1WVS62-F5D](#) [HYCW153-USBD05-500B](#)  
[HYCW219-USBD05-075B](#) [HYCW148-USBD05-117B](#) [HYCW149-USBD05-740B](#) [HYCW204-USBD05-108B](#) [HYCW214-USBA04-113B](#)  
[HYCW213-USBA04-113B](#) [UB-20AMFM-SL7A01](#) [KMMX-BSMT35S-1-B30TR](#) [2345986-1](#)