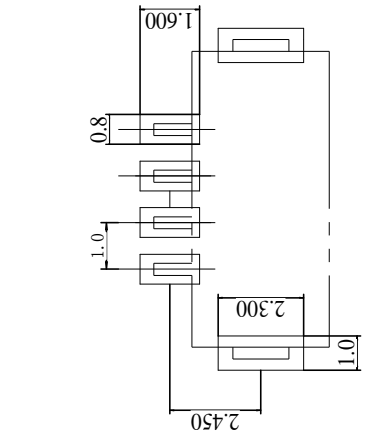
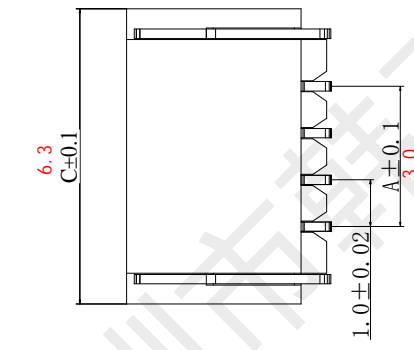


| | | | | | | |
|------|-----|-------------|------------|-------|-------|----------|
| REV. | EC# | DESCRIPTION | DATE | DRAWN | CHECK | APPROVED |
| 1.00 | | 长盛兴代 | 2020-05-22 | | | |

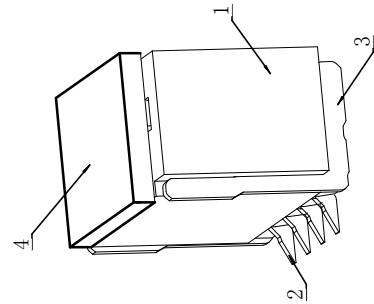
| | | | |
|------------|---------|---------|---------|
| 1. 0立式贴片 | A (mm) | B (mm) | C (mm) |
| 1. 0LT-2P | 1.00mm | 3.50mm | 4.30mm |
| 1. 0LT-3P | 2.00mm | 4.50mm | 5.30mm |
| 1. 0LT-4P | 3.00mm | 5.50mm | 6.30mm |
| 1. 0LT-5P | 4.00mm | 6.50mm | 7.30mm |
| 1. 0LT-6P | 5.00mm | 7.50mm | 8.30mm |
| 1. 0LT-7P | 6.00mm | 8.50mm | 9.30mm |
| 1. 0LT-8P | 7.00mm | 9.50mm | 10.30mm |
| 1. 0LT-9P | 8.00mm | 10.50mm | 11.30mm |
| 1. 0LT-10P | 9.00mm | 11.50mm | 12.30mm |
| 1. 0LT-1P | 10.00mm | 12.50mm | 13.30mm |
| 1. 0LT-2P | 11.00mm | 13.50mm | 14.30mm |
| 1. 0LT-3P | 12.00mm | 14.50mm | 15.30mm |
| 1. 0LT-4P | 13.00mm | 15.50mm | 16.30mm |
| 1. 0LT-5P | 14.00mm | 16.50mm | 17.30mm |
| 1. 0LT-6P | 15.00mm | 17.50mm | 18.30mm |
| 1. 0LT-7P | 16.00mm | 18.50mm | 19.30mm |
| 1. 0LT-8P | 17.00mm | 19.50mm | 20.30mm |
| 1. 0LT-9P | 18.00mm | 20.50mm | 21.30mm |
| 1. 0LT-20P | 19.00mm | 21.50mm | 22.30mm |



PCB LAYOUT

技术要求:
 1) 材质: 见附表;
 2) 电镀: 见附表;
 3) 塑件表面平整、光洁、无毛刺、气泡、烧焦、变形、浇口无拉伤、多料或缺料等不良现象;
 4) 端子表面无氧化、电镀无不良现象。

适应基板厚度: 1.2mm~1.6mm
 温度范围: -25℃~85℃
 额定电压: 125V AC/DC
 额定电流: 1A
 接触电阻: ≤0.02Ω
 绝缘电阻: ≥100MΩ
 耐压: 500V AC/minute



| | | | |
|-----|--------------|-------|----------------------------|
| 4 | Cap | 1 PCS | 材质:LCP (UL94V-0), 颜色:本色或黑色 |
| 3 | FITTING NAIL | 2 PCS | 材质:磷青铜, 电镀:镀亮锡60u"MIN |
| 2 | PIN | n PCS | 材质:磷青铜, 电镀:镀亮锡60u"MIN |
| 1 | Housing | 1 PCS | 材质:LCP (UL94V-0), 颜色:本色或黑色 |
| NO. | NAME | QTY | DESCRIPTION |

| | | | | | | |
|------------------|-----|------------|---------|--------------|------------|------------|
| DRAW : | 李春风 | 2020-05-22 | TITLE: | HX 1.0-4P LT | DRAW NAME: | 针座 |
| DESIGN: | | | SERIES: | SH1.0 SERIES | DRAW NO. | |
| CHECK: | 钟德华 | 2020-05-22 | P/N: | | UNIT: | SHEET: 1/1 |
| APPROVED | 罗孝金 | 2020-05-22 | REV. | 1.00 | SCALE | N/A |
| CUSTOMER DRAWING | | | | | | |

韩下 HANXIA 深圳市韩下电子有限公司

| GENERAL TOLERANCES | | |
|--------------------|-------|---------|
| DIM | TOL | DIM DEG |
| X. | | ±5.00° |
| X.X | ±0.35 | ±2.00° |
| X.XX | ±0.25 | ±1.00° |
| X.XXX | ±0.15 | |



深圳市韩下电子有限公司

Shenzhen Hanxia Electronic Co., Ltd

Tel: 0755-33819206 Fax: 0755-27597491

承 认 书

SPECIFICATION FOR APPROVAL

客 户 Customer:

产品名称 Project:

针座

规格型号 Part No:

HX 1.0-4P LT

贵公司承认印 Approval signatures

| 料 号/Part No. | 签 章/Signatures |
|--------------|----------------|
| | |

日期 Date:

| | | |
|-------------|-----|--|
| 拟制/Drawn | 李春风 |  |
| 审核/Check | 钟华华 | |
| 批准/Approved | 罗孝金 | |

1、SCOPE: (适用范围)

1.1 This specification covers production and inspection of Connector.

本规范内容适用于本公司普通系列型条形连接器（针座）产品的生产与检验。

2、USE CONDITION: (使用条件)

2.1 Ambient temperature Range:-20℃~+85℃

环境温度：-20℃~+85℃

2.2 Applicable PC board thickness:1.2~1.6mm

适用 PC 板厚度：1.2~1.6 mm

3、Appearance and Dimension: (外观及尺寸)

3.1 Appearance:Product surface without defect、dirt、crack、and mechanical damang, Contact without rust,plating not oxided and not peeled.

产品表面不应有对制品有害的缺陷、污垢、裂痕及机械损伤；接触件无锈蚀、镀层氧化、脱落等现象。

3.2 Dimension:According to drawings

外形尺寸：依照附图

3.3 Exchangable:Exchangable with same specification products.

互换性：相同规格应能互换

4、Material:

材 料

| P/N 零件名称 | Type 类 型 | Material 材 料 | Finish 表面处理 | Expiain 说 明 |
|-------------------------------|--------------------|----------------------------------|--|--------------------|
| Terminal 端子 | Contact 插 簧 | Phosphor bronze 锡青磷铜 厚 0.15mm | Tin Plating:3~4 μ m 镀锡：3~4 μ m | RoHS Comp liant |
| Housing 孔 座 | Plastic 塑 壳 | Nylon66 UL94V-0 | Color:White 颜色：白色 | |
| OpeningWafer 开口针座 | Contact 插 针 | Phosphor bronze 锡青磷铜 厚 0.30mm | Tin Plating:3~4 μ m 镀锡：3~4 μ m | |
| | Plastic 塑 壳 | Nylon46 UL94V-0 | Color: Beige 颜色：米色 | |
| Lips Wafer 闭口针座 | Contact 插 针 | Phosphor bronze 锡青磷铜 厚 0.30mm | Gold Plating:3~4 μ " m 镀金：3~4 μ " m | |
| | Plastic 塑 壳 | PBT UL94V-0 | Color: White 颜色：白色 | |
| Tiepian Wafer 卧贴针座 立贴针座 | Contact 插 针 | Phosphor bronze 锡青磷铜 厚 0.30mm | Tin Plating:3~4 μ m 镀锡：3~4 μ m | |
| | Solder tabs 焊护耳 | Phosphor bronze 锡青磷铜 厚 0.25mm | Tin Plating:3~4 μ m 镀锡：3~4 μ m | |
| | Plastic 塑 壳 | Nylon46 UL94V-0 | Color: Beige 颜色：米色 | |

5、Electrical Performance:

电气性能

| NO. 序号 | Ltem 项目 | Requirement 技术要求 |
|--------|-------------------------------|--------------------------------|
| 5.1 | Voltage Rated 额定电压 | 125V AC DC |
| 5.2 | Current Rated 额定电流 | 1A AC DC |
| 5.3 | Contact Resistance 接触电阻 | $\leq 20 \text{ m}\Omega$ |
| 5.4 | Insulation Resistance 绝缘电阻 | $\geq 100 \text{ M}\Omega$ |
| 5.5 | Dielectric Strength 耐压 | $\geq 500 \text{ V AC/minute}$ |

6、Mechanical Performance:

机械性能

| NO. 序号 | Ltem 项目 | Requirement 技术要求 |
|--------|--|------------------------------|
| 6.1 | Male contact Retention force PIN 针固定力 | $\geq 15 \text{ N}$ per pin |
| 6.2 | Female contact Retention force 端子固定力 | $\geq 15 \text{ N}$ per pin |
| 6.3 | Plug-in force 插入力 | $\leq 3 \text{ N}$ per pin |
| 6.4 | Plug-out force 拔出力 | $\geq 0.5 \text{ N}$ per pin |

7、Endurance Characteristics:

环境性能

| NO. 序号 | Ltem 项目 | Requirement 技术要求 |
|--------|--------------------------------------|---|
| 7.1 | Soldering rest 可焊性 | Time: $2.5 \pm 0.5 \text{ S}$ 时间: $2.5 \pm 0.5 \text{ S}$ Temperature: $260 \pm 5^\circ \text{C}$ 温度: $260 \pm 5^\circ \text{C}$ Area of Soldering: $\geq 95\%$ 焊锡面积: $\geq 95\%$ |
| 7.2 | Resistance to soldering Heat 耐焊接热 | Time: $5 \pm 1 \text{ S}$ 时间: $5 \pm 1 \text{ S}$ Temperature: $260 \pm 5^\circ \text{C}$ 温度: $260 \pm 5^\circ \text{C}$ Appearance: NO Damage 外观: 无损坏 |

| | | |
|-----|--|---|
| 7.3 | <p>Heat test 耐热性</p> | <p>Time:96h 时间: 96 小时 Temperature:+85±3℃ 温度: +85±3℃ Appearance:NO Damage 外观: 无损坏 Contact resistance: ≤20 mΩ 接触电阻: ≤20 mΩ</p> |
| 7.4 | <p>Cold test 耐冷性</p> | <p>Time:48h 时间: 48 小时 Temperature:-25±3℃ 温度: -25±3℃ Appearance:NO Damage 外观: 无损坏 Contact resistance:≤20 mΩ 接触电阻: ≤20 mΩ</p> |
| 7.5 | <p>Temperature Cycling 温度循环</p> | <p>Low temperature:-25±3℃ 低温: -25±3℃ High temperature:85±3℃ 高温: 85±3℃ For 5 cycles.test after keeping in Normal Condition for 30 min. 5 次循环后, 放置在正常环境中 30 分钟, 在进行测试 Appearance: NO Damage 外观: 无损坏 Contact resistance: ≤20 mΩ 接触电阻: ≤20mΩ</p> |
| 7.6 | <p>Invariab lenes humidity 恒定湿热</p> | <p>Temperature:60±2℃ 温度: 60±2℃ Relative humidity:90%-96% RH 相对湿度: 90%-96% RH Tim:96h 时间: 96 小时 Appearance:NO Damage 外观: 无损坏 Contact resistance: ≤20 mΩ 接触电阻: ≤20 mΩ Insulation Resistance: ≥100MΩ 绝缘电阻: ≥100 MΩ</p> |
| 7.7 | <p>Salt Spray 盐雾试验</p> | <p>Salt concentration: 5±1% 浓度: 5±1% Temperature:35±2℃ 温度: 35±2℃ Tim:16±2h 时间: 16±2 小时 After salt is removed by running wafer and A drop is removed ,it is measured. 把试验样品从试验箱顶悬挂下来, 采用浓度 (5±1) %的氯化钠溶液, 连续雾化 16 小时, 试验后用流动的蒸馏水 轻轻洗去表面沉积物, 在常温常驻湿条件下恢复 1-2 小时, 外观无损伤 Appearance:NO Damage 外观: 无损坏 Contact resistance: ≤20 mΩ 接触电阻: ≤20 mΩ</p> |

X-ON Electronics

Largest Supplier of Electrical and Electronic Components

Click to view similar products for [Headers & Wire Housings](#) category:

Click to view products by [hanxia](#) manufacturer:

Other Similar products are found below :

[0015917161](#) [0022155065](#) [57102-F02-18ULF](#) [58102-G61-06LF](#) [582553-1](#) [01.001.5753.1](#) [0050291907](#) [02.125.8002.8](#) [609-3404](#) [61062-3](#)
[CSU011177004](#) [622-0430](#) [622-3653LF](#) [63453-116](#) [636-1030](#) [636-1427](#) [636-3427](#) [636-4007](#) [641938-9](#) [65495-038](#) [65692-001LF](#) [65781-018](#)
[65781-047](#) [65817-010LF](#) [65817-015LF](#) [67095-007LF](#) [67601157](#) [68631-112](#) [68645-018](#) [699319-000](#) [70.362.1628.0](#) [70-4210](#) [70-4226B](#) [70-](#)
[4853B](#) [71.350.2428.0](#) [733-134](#) [733-162](#) [760-3052](#) [MHR-64-VUAL](#) [80.063.4001.1](#) [800-90-001-10-001000](#) [801-43-002-10-013000](#)
[801-43-006-10-002000](#) [803-43-024-10-001000](#) [803-93-012-10-001000](#) [8-1437020-4](#) [819-22-004-30-001101](#) [820-22-006-30-001101](#)
[820-22-008-30-001101](#) [821-22-002-10-001101](#)