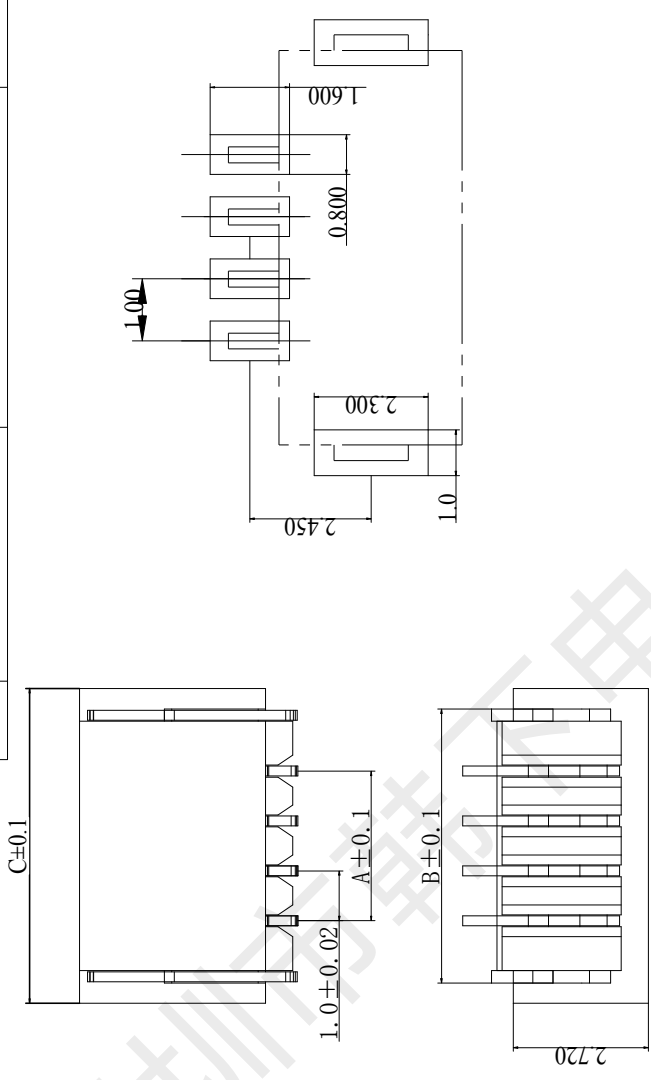


| REV. | EC# | DESCRIPTION | DATE       | DRAWN | CHECK | APPROVED |
|------|-----|-------------|------------|-------|-------|----------|
| 1.00 |     | 投板零件        | 2018-05-22 |       |       |          |

| 1.0立式贴片   | A(mm)   | B(mm)   | C(mm)   |
|-----------|---------|---------|---------|
| 1.0WT-2P  | 1.00mm  | 3.50mm  | 4.00mm  |
| 1.0WT-3P  | 2.00mm  | 4.50mm  | 5.00mm  |
| 1.0WT-4P  | 3.00mm  | 5.50mm  | 6.00mm  |
| 1.0WT-5P  | 4.00mm  | 6.50mm  | 7.00mm  |
| 1.0WT-6P  | 5.00mm  | 7.50mm  | 8.00mm  |
| 1.0WT-7P  | 6.00mm  | 8.50mm  | 9.00mm  |
| 1.0WT-8P  | 7.00mm  | 9.50mm  | 10.00mm |
| 1.0WT-9P  | 8.00mm  | 10.50mm | 11.00mm |
| 1.0WT-10P | 9.00mm  | 11.50mm | 12.00mm |
| 1.0WT-11P | 10.00mm | 12.50mm | 13.00mm |
| 1.0WT-12P | 11.00mm | 13.50mm | 14.00mm |
| 1.0WT-13P | 12.00mm | 14.50mm | 15.00mm |
| 1.0WT-14P | 13.00mm | 15.50mm | 16.00mm |
| 1.0WT-15P | 14.00mm | 16.50mm | 17.00mm |
| 1.0WT-16P | 15.00mm | 17.50mm | 18.00mm |
| 1.0WT-17P | 16.00mm | 18.50mm | 19.00mm |
| 1.0WT-18P | 17.00mm | 19.50mm | 20.00mm |
| 1.0WT-19P | 18.00mm | 20.50mm | 21.00mm |
| 1.0WT-20P | 19.00mm | 21.50mm | 22.00mm |

适应基板厚度: 1.2mm~1.6mm  
 温度范围: -25℃~85℃  
 额定电压: 125V AC/DC  
 额定电流: 1A  
 接触电阻:  $\leq 0.02 \Omega$   
 绝缘电阻:  $\geq 100M \Omega$   
 耐压: 500V AC/minute



| NO. | NAME         | Q'TY  | DESCRIPTION               |
|-----|--------------|-------|---------------------------|
| 4   | Cap          | 1 PCS | 材质:LCP (UL94V-0),颜色:本色或黑色 |
| 3   | FITTING NAIL | 2 PCS | 材质:磷青铜,电镀:镀亮锡60u"MIN      |
| 2   | PIN          | n PCS | 材质:磷青铜,电镀:镀亮锡60u"MIN      |
| 1   | Housing      | 1 PCS | 材质:LCP (UL94V-0),颜色:本色或黑色 |

# 深圳市韩下电子有限公司

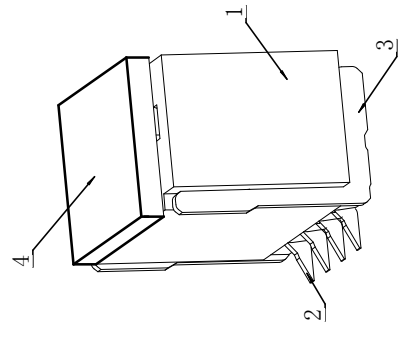


|                  |     |            |         |              |            |                |
|------------------|-----|------------|---------|--------------|------------|----------------|
| DRAW :           | 黄彬  | 2018-05-22 | TITLE:  | 针座           | DRAW NAME: | HX 1.0mm-8P LT |
| DESIGN:          |     |            | SERIES: | SH1.0 SERIES | DRAW NO.   |                |
| CHECK:           | 张伟  | 2018-05-22 | P/N:    |              | UNIT:      | SHEET: 1/1     |
| APPROVED         | 罗小春 | 2018-05-22 | REV.    | 1.00         | SCALE      | N/A            |
| CUSTOMER DRAWING |     |            |         |              |            |                |

| GENERAL TOLERANCES |       |         |
|--------------------|-------|---------|
| DIM                | TOL   | DIM DEG |
| X.                 | +0.15 | X°      |
| X.X                | +0.25 | X.X°    |
| X.XX               | +0.35 | X.XX°   |
| X.XXX              | +0.45 | X.XXX°  |

技术要求:

- 1) 材质:见附表;
- 2) 电镀:见附表;
- 3) 塑件表面平整、光洁、无毛刺、气泡、烧焦、变形、浇口无拉伤、多料或缺料等不良现象;
- 4) 端子表面无氧化、电镀不良等现象。





深圳市韩下电子有限公司

Shenzhen Hanxia Electronic Co., Ltd  
Tel: 0755-33819206 Fax: 0755-27597491

## 承 认 书

### SPECIFICATION FOR APPROVAL

客 户 Customer:

\_\_\_\_\_

产品名称 Project:

针座

\_\_\_\_\_

规格型号 Part No:

HX 1.0mm-8P LT

\_\_\_\_\_

#### 贵公司承认印 Approval signatures

| 料 号/Part No. | 签 章/Signatures |
|--------------|----------------|
|              |                |

日期 Date:

|             |     |  |
|-------------|-----|--|
| 拟制/Drawn    | 黄彬  |  |
| 审核/Check    | 张伟  |  |
| 批准/Approved | 罗小春 |  |



## 1、SCOPE: (适用范围)

1.1 This specification covers production and inspection of Connector.

本规范内容适用于本公司普通系列型条形连接器（针座）产品的生产与检验。

## 2、USE CONDITION: (使用条件)

2.1 Ambient temperature Range:-25℃~+85℃

环境温度：-25℃~+85℃

2.2 Applicable PC board thickness:1.2~1.6mm

适用 PC 板厚度：1.2~1.6 mm

## 3、Appearance and Dimension: (外观及尺寸)

3.1 Appearance:Product surface without defect、dirt、crack、and mechanical damang, Contact without rust,plating not oxided and not peeled.

产品表面不应有对制品有害的缺陷、污垢、裂痕及机械损伤；接触件无锈蚀、镀层氧化、脱落等现象。

3.2 Dimension:According to drawings

外形尺寸：依照附图

3.3 Exchangable:Exchangable with same specification products.

互换性：相同规格应能互换

## 4、Material:

材 料 （以图纸为准）

| P/N<br>零件名称                   | Type<br>类 型        | Material<br>材 料                  | Finish<br>表面处理                         | Expiain<br>说 明     |
|-------------------------------|--------------------|----------------------------------|--|--------------------|
| Terminal<br>端子                | Contact<br>插 簧     | Phosphor bronze<br>锡青磷铜 厚 0.15mm | Tin Plating:3~4 μ m<br>镀锡：3~4 μ m      | RoHS<br>Comp liant |
| Housing<br>孔 座                | Plastic<br>塑 壳     | Nylon66 UL94V-0                  | Color:White<br>颜色：白色                   |                    |
| OpeningWafer<br>开口针座          | Contact<br>插 针     | Phosphor bronze<br>锡青磷铜 厚 0.30mm | Tin Plating:3~4 μ m<br>镀锡：3~4 μ m      |                    |
|                               | Plastic<br>塑 壳     | Nylon46 UL94V-0                  | Color: Beige<br>颜色：米色                  |                    |
| Lips Wafer<br>闭口针座            | Contact<br>插 针     | Phosphor bronze<br>锡青磷铜 厚 0.30mm | Gold Plating:3~4 μ " m<br>镀金：3~4 μ " m |                    |
|                               | Plastic<br>塑 壳     | PBT UL94V-0                      | Color: White<br>颜色：白色                  |                    |
| Tiepian Wafer<br>卧贴针座<br>立贴针座 | Contact<br>插 针     | Phosphor bronze<br>锡青磷铜 厚 0.30mm | Tin Plating:3~4 μ m<br>镀锡：3~4 μ m      |                    |
|                               | Solder tabs<br>焊护耳 | Phosphor bronze<br>锡青磷铜 厚 0.25mm | Tin Plating:3~4 μ m<br>镀锡：3~4 μ m      |                    |
|                               | Plastic<br>塑 壳     | Nylon46 UL94V-0                  | Color: Beige<br>颜色：米色                  |                    |

## 5、Electrical Performance:

电气性能

| NO. 序号 | Item 项目                       | Requirement 技术要求               |
|--------|-------------------------------|--------------------------------|
| 5.1    | Voltage Rated<br>额定电压         | 125V AC DC                     |
| 5.2    | Current Rated<br>额定电流         | 1A AC DC                       |
| 5.3    | Contact Resistance<br>接触电阻    | $\leq 20 \text{ m}\Omega$      |
| 5.4    | Insulation Resistance<br>绝缘电阻 | $\geq 100 \text{ M}\Omega$     |
| 5.5    | Dielectric Strength<br>耐压     | $\geq 500 \text{ V AC/minute}$ |

## 6、Mechanical Performance:

机械性能

| NO. 序号 | Item 项目                                  | Requirement 技术要求             |
|--------|--|------------------------------|
| 6.1    | Male contact Retention force<br>PIN 针固定力 | $\geq 10 \text{ N}$ per pin  |
| 6.2    | Female contact Retention force<br>端子固定力  | $\geq 10 \text{ N}$ per pin  |
| 6.3    | Plug-in force<br>插入力                     | $\leq 3 \text{ N}$ per pin   |
| 6.4    | Plug-out force<br>拔出力                    | $\geq 0.5 \text{ N}$ per pin |

## 7、Endurance Characteristics:

环境性能

| NO. 序号 | Item 项目                              | Requirement 技术要求  |
|--------|--------------------------------------|---|
| 7.1    | Soldering rest<br>可焊性                | Time: $2.5 \pm 0.5 \text{ S}$ 时间: $2.5 \pm 0.5 \text{ S}$<br>Temperature: $260 \pm 5^\circ \text{C}$ 温度: $260 \pm 5^\circ \text{C}$<br>Area of Soldering: $\geq 95\%$ 焊锡面积: $\geq 95\%$ |
| 7.2    | Resistance to soldering Heat<br>耐焊接热 | Time: $5 \pm 1 \text{ S}$ 时间: $5 \pm 1 \text{ S}$<br>Temperature: $260 \pm 5^\circ \text{C}$ 温度: $260 \pm 5^\circ \text{C}$<br>Appearance: NO Damage 外观: 无损坏                            |

|     |  |   |
|-----|--|---|
| 7.3 | <b>Heat test</b><br>耐热性                | Time:96h 时间: 96 小时<br>Temperature:+85±3℃ 温度: +85±3℃<br>Appearance:NO Damage 外观: 无损坏<br>Contact resistance: ≤20 mΩ 接触电阻: ≤20 mΩ  |
| 7.4 | <b>Cold test</b><br>耐冷性                | Time:48h 时间: 48 小时<br>Temperature:-25±3℃ 温度: -25±3℃<br>Appearance:NO Damage 外观: 无损坏<br>Contact resistance:≤20 mΩ 接触电阻: ≤20 mΩ   |
| 7.5 | <b>Temperature Cycling</b><br>温度循环     | Low temperature:-25±3℃ 低温: -25±3℃<br>High temperature:85±3℃ 高温: 85±3℃<br>For 5 cycles.test after keeping in Normal Condition for 30 min.<br>5 次循环后, 放置在正常环境中 30 分钟, 在进行测试<br>Appearance: NO Damage 外观: 无损坏<br>Contact resistance: ≤20 mΩ 接触电阻: ≤20mΩ  |
| 7.6 | <b>Invariab lenes humidity</b><br>恒定湿热 | Temperature:60±2℃ 温度: 60±2℃<br>Relative humidity:90%-96% RH<br>相对湿度: 90%-96% RH<br>Tim:96h 时间: 96 小时<br>Appearance:NO Damage 外观: 无损坏<br>Contact resistance: ≤20 mΩ 接触电阻: ≤20 mΩ<br>Insulation Resistance: ≥100MΩ 绝缘电阻: ≥100 MΩ  |
| 7.7 | <b>Salt Spray</b><br>盐雾试验              | Salt concentration: 5±1% 浓度: 5±1%<br>Temperature:35±2℃ 温度: 35±2℃<br>Tim:16±2h 时间: 16±2 小时<br>After salt is removed by running wafer and A drop is removed ,it is measured.<br>把试验样品从试验箱顶悬挂下来, 采用浓度 (5±1) %的氯化钠溶液, 连续雾化 16 小时, 试验后用流动的蒸馏水 轻轻洗去表面沉积物, 在常温常驻湿条件下恢复 1-2 小时, 外观无损伤<br>Appearance:NO Damage 外观: 无损坏<br>Contact resistance: ≤20 mΩ<br>接触电阻: ≤20 mΩ |

## X-ON Electronics

Largest Supplier of Electrical and Electronic Components

*Click to view similar products for [Headers & Wire Housings](#) category:*

*Click to view products by [hanxia](#) manufacturer:*

Other Similar products are found below :

[0015917161](#) [0022155065](#) [57102-F02-18ULF](#) [58102-G61-06LF](#) [582553-1](#) [01.001.5753.1](#) [0050291907](#) [02.125.8002.8](#) [609-3404](#) [61062-3](#)  
[CSU011177004](#) [622-0430](#) [622-3653LF](#) [63453-116](#) [636-1030](#) [636-1427](#) [636-3427](#) [636-4007](#) [641938-9](#) [65495-038](#) [65692-001LF](#) [65781-018](#)  
[65781-047](#) [65817-010LF](#) [65817-015LF](#) [67095-007LF](#) [67601157](#) [68631-112](#) [68645-018](#) [699319-000](#) [70.362.1628.0](#) [70-4210](#) [70-4226B](#) [70-](#)  
[4853B](#) [71.350.2428.0](#) [733-134](#) [733-162](#) [760-3052](#) [MHR-64-VUAL](#) [80.063.4001.1](#) [800-90-001-10-001000](#) [801-43-002-10-013000](#)  
[801-43-006-10-002000](#) [803-43-024-10-001000](#) [803-93-012-10-001000](#) [8-1437020-4](#) [819-22-004-30-001101](#) [820-22-006-30-001101](#)  
[820-22-008-30-001101](#) [821-22-002-10-001101](#)