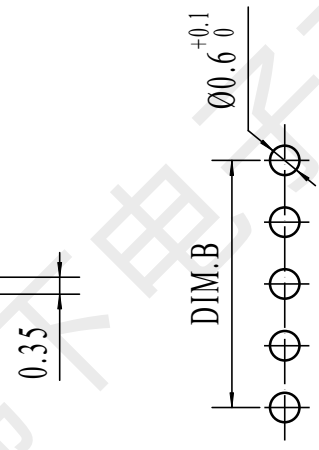
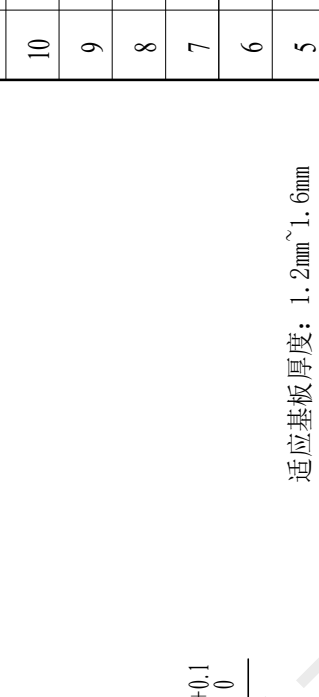
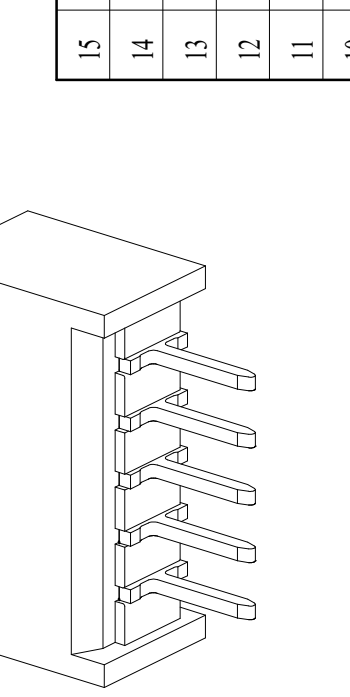


REV.	EC#	DESCRIPTION	DATE	DRAWN	CHECK	APPROVED
1.00		最新设计	2020-08-25			

PIN	n	PCS	DESCRIPTION	SCALE	N/A
2			材质:黄铜,电镀:光亮锡60u~MIN		
1		1	材质:PA6T (耐温194V~0), 颜色:米色		
NO.	NAME	QTY	DESCRIPTION		

REV.	EC#	DESCRIPTION	DATE	DRAWN	CHECK	APPROVED
15				20.65		17.50
14				19.4		16.25
13				18.15		15.00
12				16.9		13.75
11				15.65		12.50
10				14.4		11.25
9				13.15		10.00
8				11.9		8.75
7				10.65		7.50
6				9.4		6.25
5				8.15		5.00
4				6.9		3.75
3				5.65		2.50
2				4.4		1.25
Pin				DIM.A		DIM.B

REV.	EC#	DESCRIPTION	DATE	DRAWN	CHECK	APPROVED
2						
1						
NO.	NAME	QTY	DESCRIPTION			



适应基板厚度: 1.2mm~1.6mm
 温度范围: -25℃~85℃
 额定电压: 125V AC/DC
 额定电流: 1A
 接触电阻: ≤0.02Ω
 绝缘电阻: ≥100MΩ
 耐压: 500V AC/minute

材质:黄铜,电镀:光亮锡60u~MIN
 材质:PA6T (耐温194V~0), 颜色:米色

GENERAL TOLERANCES			
DIM	TOL	DIM	DEG
X	X°	X°	+3.00°
X.X	+0.15	X.X°	+2.00°
X.XX	+0.25	X.XX°	+1.00°
X.XXX	+0.15	X.XXX°	

DRAW :	DESIGN :	CHECK :	APPROVED :	CUSTOMER DRAWING
黄彬	张伟	罗小春		
2020-08-25	2020-08-25	2020-08-25		
TITLE: 插件针座				
SERIES: 12502 SERIES				
P/N:				
REV. 1.00 SCALE N/A				

DRAW NAME:	
HX 1.25mm-4P ZZ-MS	
DRAW NO.:	
1/1	
SHEET:	
1/1	

DRAW NAME:	
HX 1.25mm-4P ZZ-MS	
DRAW NO.:	
1/1	
SHEET:	
1/1	

DRAW NAME:	
HX 1.25mm-4P ZZ-MS	
DRAW NO.:	
1/1	
SHEET:	
1/1	

DRAW NAME:	
HX 1.25mm-4P ZZ-MS	
DRAW NO.:	
1/1	
SHEET:	
1/1	

DRAW NAME:	
HX 1.25mm-4P ZZ-MS	
DRAW NO.:	
1/1	
SHEET:	
1/1	

DRAW NAME:	
HX 1.25mm-4P ZZ-MS	
DRAW NO.:	
1/1	
SHEET:	
1/1	

DRAW NAME:	
HX 1.25mm-4P ZZ-MS	
DRAW NO.:	
1/1	
SHEET:	
1/1	

DRAW NAME:	
HX 1.25mm-4P ZZ-MS	
DRAW NO.:	
1/1	
SHEET:	
1/1	

DRAW NAME:	
HX 1.25mm-4P ZZ-MS	
DRAW NO.:	
1/1	
SHEET:	
1/1	

DRAW NAME:	
HX 1.25mm-4P ZZ-MS	
DRAW NO.:	
1/1	
SHEET:	
1/1	

DRAW NAME:	
HX 1.25mm-4P ZZ-MS	
DRAW NO.:	
1/1	
SHEET:	
1/1	

DRAW NAME:	
HX 1.25mm-4P ZZ-MS	
DRAW NO.:	
1/1	
SHEET:	
1/1	

DRAW NAME:	
HX 1.25mm-4P ZZ-MS	
DRAW NO.:	
1/1	
SHEET:	
1/1	

DRAW NAME:	
HX 1.25mm-4P ZZ-MS	
DRAW NO.:	
1/1	
SHEET:	
1/1	

DRAW NAME:	
HX 1.25mm-4P ZZ-MS	
DRAW NO.:	
1/1	
SHEET:	
1/1	

DRAW NAME:	
HX 1.25mm-4P ZZ-MS	
DRAW NO.:	
1/1	
SHEET:	
1/1	

DRAW NAME:	
HX 1.25mm-4P ZZ-MS	
DRAW NO.:	
1/1	
SHEET:	
1/1	

DRAW NAME:	
HX 1.25mm-4P ZZ-MS	
DRAW NO.:	
1/1	
SHEET:	
1/1	

DRAW NAME:	
HX 1.25mm-4P ZZ-MS	
DRAW NO.:	
1/1	
SHEET:	
1/1	

DRAW NAME:	
HX 1.25mm-4P ZZ-MS	
DRAW NO.:	
1/1	
SHEET:	
1/1	

DRAW NAME:	
HX 1.25mm-4P ZZ-MS	
DRAW NO.:	
1/1	
SHEET:	
1/1	

DRAW NAME:	
HX 1.25mm-4P ZZ-MS	
DRAW NO.:	
1/1	
SHEET:	
1/1	

DRAW NAME:	
HX 1.25mm-4P ZZ-MS	
DRAW NO.:	
1/1	
SHEET:	
1/1	

DRAW NAME:	
HX 1.25mm-4P ZZ-MS	
DRAW NO.:	
1/1	
SHEET:	
1/1	

DRAW NAME:	
HX 1.25mm-4P ZZ-MS	
DRAW NO.:	
1/1	
SHEET:	
1/1	

DRAW NAME:	
HX 1.25mm-4P ZZ-MS	
DRAW NO.:	
1/1	
SHEET:	
1/1	

DRAW NAME:	
HX 1.25mm-4P ZZ-MS	
DRAW NO.:	
1/1	
SHEET:	
1/1	

DRAW NAME:	
HX 1.25mm-4P ZZ-MS	
DRAW NO.:	
1/1	
SHEET:	
1/1	

DRAW NAME:	
HX 1.25mm-4P ZZ-MS	
DRAW NO.:	
1/1	
SHEET:	
1/1	

DRAW NAME:	
HX 1.25mm-4P ZZ-MS	
DRAW NO.:	
1/1	
SHEET:	
1/1	

DRAW NAME:	
HX 1.25mm-4P ZZ-MS	
DRAW NO.:	
1/1	
SHEET:	
1/1	

DRAW NAME:	
HX 1.25mm-4P ZZ-MS	
DRAW NO.:	
1/1	
SHEET:	
1/1	

DRAW NAME:	
HX 1.25mm-4P ZZ-MS	
DRAW NO.:	
1/1	
SHEET:	
1/1	

DRAW NAME:	
HX 1.25mm-4P ZZ-MS	
DRAW NO.:	
1/1	
SHEET:	
1/1	

DRAW NAME:	
HX 1.25mm-4P ZZ-MS	
DRAW NO.:	
1/1	
SHEET:	
1/1	

DRAW NAME:	
HX 1.25mm-4P ZZ-MS	
DRAW NO.:	
1/1	
SHEET:	
1/1	

DRAW NAME:	
HX 1.25mm-4P ZZ-MS	
DRAW NO.:	
1/1	
SHEET:	
1/1	

DRAW NAME:	
HX 1.25mm-4P ZZ-MS	
DRAW NO.:	
1/1	
SHEET:	
1/1	

DRAW NAME:	
HX 1.25mm-4P ZZ-MS	
DRAW NO.:	
1/1	
SHEET:	
1/1	

DRAW NAME:	
HX 1.25mm-4P ZZ-MS	
DRAW NO.:	
1/1	
SHEET:	
1/1	

DRAW NAME:	
HX 1.25mm-4P ZZ-MS	
DRAW NO.:	
1/1	
SHEET:	
1/1	

DRAW NAME:	
HX 1.25mm-4P ZZ-MS	
DRAW NO.:	
1/1	
SHEET:	
1/1	

DRAW NAME:	
HX 1.25mm-4P ZZ-MS	
DRAW NO.:	
1/1	
SHEET:	
1/1	

DRAW NAME:	
HX 1.25mm-4P ZZ-MS	
DRAW NO.:	
1/1	
SHEET:	
1/1	

DRAW NAME:	
HX 1.25mm-4P ZZ-MS	
DRAW NO.:	
1/1	
SHEET:	
1/1	

DRAW NAME:	
HX 1.25mm-4P ZZ-MS	
DRAW NO.:	
1/1	
SHEET:	
1/1	

DRAW NAME:	
HX 1.25mm-4P ZZ-MS	
DRAW NO.:	
1/1	
SHEET:	
1/1	

DRAW NAME:	
HX 1.25mm-4P ZZ-MS	
DRAW NO.:	
1/1	
SHEET:	
1/1	

DRAW NAME:	
HX 1.25mm-4P ZZ-MS	
DRAW NO.:	
1/1	
SHEET:	
1/1	

DRAW NAME:	
HX 1.25mm-4P ZZ-MS	
DRAW NO.:	
1/1	
SHEET:	
1/1	

DRAW NAME:	
HX 1.25mm-4P ZZ-MS	
DRAW NO.:	
1/1	
SHEET:	
1/1	

DRAW NAME:	
HX 1.25mm-4P ZZ-MS	
DRAW NO.:	
1/1	
SHEET:	
1/1	

DRAW NAME:	
HX 1.25mm-4P ZZ-MS	
DRAW NO.:	
1/1	
SHEET:	
1/1	

DRAW NAME:	
HX 1.25mm-4P ZZ-MS	
DRAW NO.:	
1/1	
SHEET:	
1/1	

DRAW NAME:	
HX 1.25mm-4P ZZ-MS	
DRAW NO.:	
1/1	
SHEET:	
1/1	

DRAW NAME:	
HX 1.25mm-4P ZZ-MS	
DRAW NO.:	
1/1	
SHEET:	
1/1	

DRAW NAME:	
HX 1.25mm-4P ZZ-MS	
DRAW NO.:	
1/1	
SHEET:	
1/1	

DRAW NAME:	
HX 1.25mm-4P ZZ-MS	
DRAW NO.:	
1/1	
SHEET:	



深圳市韩下电子有限公司

Shenzhen Hanxia Electronic Co., Ltd
Tel: 0755-33819206 Fax: 0755-27597491

承 认 书

SPECIFICATION FOR APPROVAL

客 户 Customer:

产品名称 Project:

针座

规格型号 Part No:

HX 1.25mm-4P ZZ-MS

贵公司承认印 Approval signatures

料 号/Part No.	签 章/Signatures

日期 Date:

拟制/Drawn	黄彬	
审核/Check	张伟	
批准/Approved	罗小春	

1、SCOPE: (适用范围)

1.1 This specification covers production and inspection of Connector.

本规范内容适用于本公司普通系列型条形连接器（针座）产品的生产与检验。

2、USE CONDITION: (使用条件)

2.1 Ambient temperature Range:-25℃~+85℃

环境温度：-25℃~+85℃

2.2 Applicable PC board thickness:1.2~1.6mm

适用 PC 板厚度：1.2~1.6 mm

3、Appearance and Dimension: (外观及尺寸)

3.1 Appearance:Product surface without defect、dirt、crack、and mechanical damang, Contact without rust,plating not oxided and not peeled.

产品表面不应有对制品有害的缺陷、污垢、裂痕及机械损伤；接触件无锈蚀、镀层氧化、脱落等现象。

3.2 Dimension:According to drawings

外形尺寸：依照附图

3.3 Exchangable:Exchangable with same specification products.

互换性：相同规格应能互换

4、Material:

材 料 （以图纸为准）

P/N 零件名称	Type 类 型	Material 材 料	Finish 表面处理	Expiain 说 明
Terminal 端子	Contact 插 簧	Phosphor bronze 锡青磷铜 厚 0.15mm	Tin Plating:3~4 μ m 镀锡：3~4 μ m	RoHS Comp liant
Housing 孔 座	Plastic 塑 壳	Nylon66 UL94V-0	Color:White 颜色：白色	
OpeningWafer 开口针座	Contact 插 针	Phosphor bronze 锡青磷铜 厚 0.30mm	Tin Plating:3~4 μ m 镀锡：3~4 μ m	
	Plastic 塑 壳	Nylon46 UL94V-0	Color: Beige 颜色：米色	
Lips Wafer 闭口针座	Contact 插 针	Phosphor bronze 锡青磷铜 厚 0.30mm	Gold Plating:3~4 μ " m 镀金：3~4 μ " m	
	Plastic 塑 壳	PBT UL94V-0	Color: White 颜色：白色	
Tiepian Wafer 卧贴针座 立贴针座	Contact 插 针	Phosphor bronze 锡青磷铜 厚 0.30mm	Tin Plating:3~4 μ m 镀锡：3~4 μ m	
	Solder tabs 焊护耳	Phosphor bronze 锡青磷铜 厚 0.25mm	Tin Plating:3~4 μ m 镀锡：3~4 μ m	
	Plastic 塑 壳	Nylon46 UL94V-0	Color: Beige 颜色：米色	

5、Electrical Performance:

电气性能

NO. 序号	Item 项目	Requirement 技术要求
5.1	Voltage Rated 额定电压	125V AC DC
5.2	Current Rated 额定电流	1A AC DC
5.3	Contact Resistance 接触电阻	$\leq 20 \text{ m}\Omega$
5.4	Insulation Resistance 绝缘电阻	$\geq 100 \text{ M}\Omega$
5.5	Dielectric Strength 耐压	$\geq 500 \text{ V AC/minute}$

6、Mechanical Performance:

机械性能

NO. 序号	Item 项目	Requirement 技术要求
6.1	Male contact Retention force PIN 针固定力	$\geq 10 \text{ N}$ per pin
6.2	Female contact Retention force 端子固定力	$\geq 10 \text{ N}$ per pin
6.3	Plug-in force 插入力	$\leq 3 \text{ N}$ per pin
6.4	Plug-out force 拔出力	$\geq 0.5 \text{ N}$ per pin

7、Endurance Characteristics:

环境性能

NO. 序号	Item 项目	Requirement 技术要求
7.1	Soldering rest 可焊性	Time: $2.5 \pm 0.5 \text{ S}$ 时间: $2.5 \pm 0.5 \text{ S}$ Temperature: $260 \pm 5^\circ \text{C}$ 温度: $260 \pm 5^\circ \text{C}$ Area of Soldering: $\geq 95\%$ 焊锡面积: $\geq 95\%$
7.2	Resistance to soldering Heat 耐焊接热	Time: $5 \pm 1 \text{ S}$ 时间: $5 \pm 1 \text{ S}$ Temperature: $260 \pm 5^\circ \text{C}$ 温度: $260 \pm 5^\circ \text{C}$ Appearance: NO Damage 外观: 无损坏

7.3	<p>Heat test 耐热性</p>	<p>Time:96h 时间: 96 小时 Temperature:+85±3℃ 温度: +85±3℃ Appearance:NO Damage 外观: 无损坏 Contact resistance: ≤20 mΩ 接触电阻: ≤20 mΩ</p>
7.4	<p>Cold test 耐冷性</p>	<p>Time:48h 时间: 48 小时 Temperature:-25±3℃ 温度: -25±3℃ Appearance:NO Damage 外观: 无损坏 Contact resistance:≤20 mΩ 接触电阻: ≤20 mΩ</p>
7.5	<p>Temperature Cycling 温度循环</p>	<p>Low temperature:-25±3℃ 低温: -25±3℃ High temperature:85±3℃ 高温: 85±3℃ For 5 cycles.test after keeping in Normal Condition for 30 min. 5 次循环后, 放置在正常环境中 30 分钟, 在进行测试 Appearance: NO Damage 外观: 无损坏 Contact resistance: ≤20 mΩ 接触电阻: ≤20mΩ</p>
7.6	<p>Invariab lenes humidity 恒定湿热</p>	<p>Temperature:60±2℃ 温度: 60±2℃ Relative humidity:90%-96% RH 相对湿度: 90%-96% RH Tim:96h 时间: 96 小时 Appearance:NO Damage 外观: 无损坏 Contact resistance: ≤20 mΩ 接触电阻: ≤20 mΩ Insulation Resistance: ≥100MΩ 绝缘电阻: ≥100 MΩ</p>
7.7	<p>Salt Spray 盐雾试验</p>	<p>Salt concentration: 5±1% 浓度: 5±1% Temperature:35±2℃ 温度: 35±2℃ Tim:16±2h 时间: 16±2 小时 After salt is removed by running wafer and A drop is removed ,it is measured. 把试验样品从试验箱顶悬挂下来, 采用浓度 (5±1) %的氯化钠溶液, 连续雾化 16 小时, 试验后用流动的蒸馏水 轻轻洗去表面沉积物, 在常温常驻湿条件下恢复 1-2 小时, 外观无损伤 Appearance:NO Damage 外观: 无损坏 Contact resistance: ≤20 mΩ 接触电阻: ≤20 mΩ</p>

X-ON Electronics

Largest Supplier of Electrical and Electronic Components

Click to view similar products for [Headers & Wire Housings](#) category:

Click to view products by [hanxia](#) manufacturer:

Other Similar products are found below :

[0015917161](#) [0022155065](#) [57102-F02-18ULF](#) [58102-G61-06LF](#) [582553-1](#) [01.001.5753.1](#) [0050291907](#) [02.125.8002.8](#) [609-3404](#) [61062-3](#)
[CSU011177004](#) [622-0430](#) [622-3653LF](#) [63453-116](#) [636-1030](#) [636-1427](#) [636-3427](#) [636-4007](#) [641938-9](#) [65495-038](#) [65692-001LF](#) [65781-018](#)
[65781-047](#) [65817-010LF](#) [65817-015LF](#) [67095-007LF](#) [67601157](#) [68631-112](#) [68645-018](#) [699319-000](#) [70.362.1628.0](#) [70-4210](#) [70-4226B](#) [70-](#)
[4853B](#) [71.350.2428.0](#) [733-134](#) [733-162](#) [760-3052](#) [MHR-64-VUAL](#) [80.063.4001.1](#) [800-90-001-10-001000](#) [801-43-002-10-013000](#)
[801-43-006-10-002000](#) [803-43-024-10-001000](#) [803-93-012-10-001000](#) [8-1437020-4](#) [819-22-004-30-001101](#) [820-22-006-30-001101](#)
[820-22-008-30-001101](#) [821-22-002-10-001101](#)