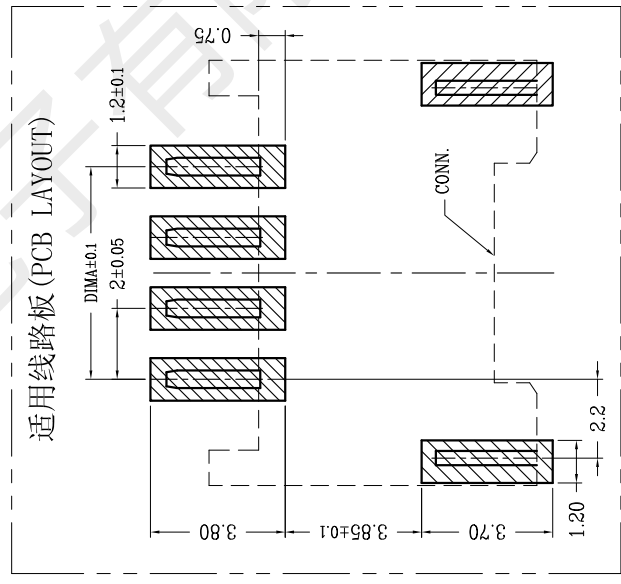
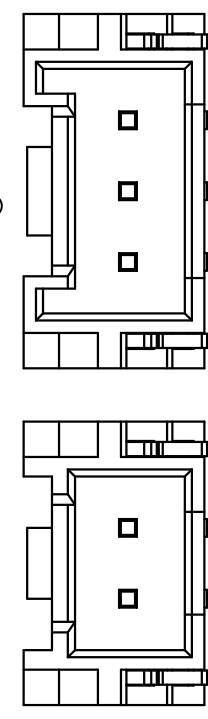
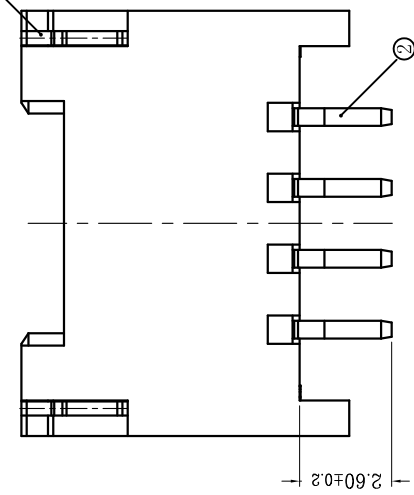
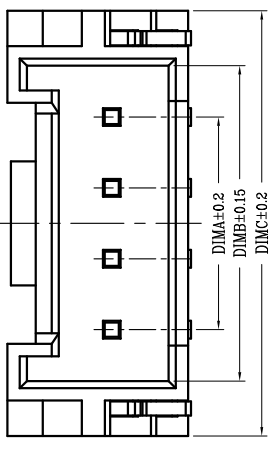
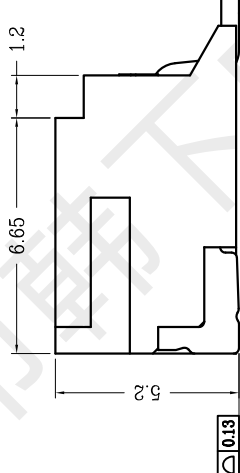
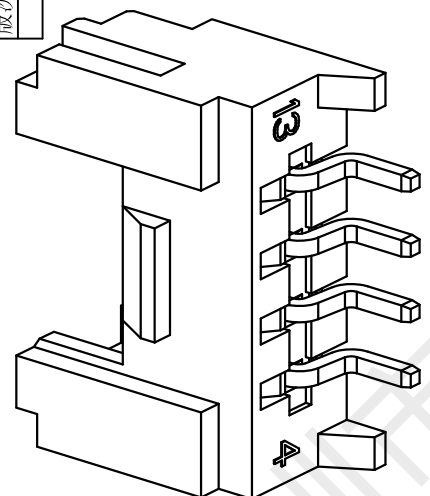


|                 |  |                            |  |                  |  |  |  |  |  |  |  |
|-----------------|--|----------------------------|--|------------------|--|--|--|--|--|--|--|
| A               |  | B                          |  | C                |  | D  |  | E  |  | F  |  |
| N-0.5±0.03 (SQ) |  | 2.00±0.15 (PITCH)          |  | 0                |  | 变更摘要 (Change The Content)                |  | 日期 (Date)  |  | 品名 (Name)                                |  |
| 0               |  | 新产品发行 (New Product Launch) |  | 2020/09/09 (NO.) |  | LCP UL94V-0<br>本色 Natural                |  | 2.00 F型卧式2代WTB板芯<br>2.00 Pitch R/A Wire To Board Housing (H=5, 2)      |  | 材质 (Material)                            |  |
| ①               |  | ②                          |  | ③                |  | 铜合金/表面镀锡<br>Copper Alloy/<br>Tin Plating |  | 2.00 F型卧式2代WTB端子<br>2.00 Pitch R/A Wire To Board Terminal (H=5, 2)     |  | 铜合金/表面镀锡<br>Copper Alloy/<br>Tin Plating |  |
| ③               |  | ②                          |  | ①                |  | 铜合金/表面镀锡<br>Copper Alloy/<br>Tin Plating |  | 2.00 F型卧式2代WTB板片<br>2.00 Pitch R/A Wire To Board Fitting Nail (H=5, 6) |  | 铜合金/表面镀锡<br>Copper Alloy/<br>Tin Plating |  |

**技术指标 (Technical Index):**  
 1. 塑件表面应光洁、无毛边、无明显收缩、缺陷、裂纹等现象。  
 (The surface of the plastic parts should be smooth, no rough edges, no obvious shrinkage, defects, cracks and other phenomena)  
 2. 温度范围 (Temperature range): -40° C~+85° C.  
 3. 额定电压 (Rated voltage): 250V, AC.  
 4. 接触电阻 (Contact resistance):  
 ≤55mΩ (Initial) per contact, ≤25mΩ Change allowed.  
 5. 绝缘电阻 (Insulation resistance): ≥1000M Ω.



| CKT | DIM A | DIM B | DIM C |
|-----|-------|-------|-------|
| 2   | 2.00  | 4.90  | 8.00  |
| 3   | 4.00  | 6.90  | 10.00 |
| 4   | 6.00  | 8.90  | 12.00 |
| 5   | 8.00  | 10.90 | 14.00 |
| 6   | 10.00 | 12.90 | 16.00 |
| 7   | 12.00 | 14.90 | 18.00 |
| 8   | 14.00 | 16.90 | 20.00 |
| 9   | 16.00 | 18.90 | 22.00 |
| 10  | 18.00 | 20.90 | 24.00 |
| 11  | 20.00 | 22.90 | 26.00 |
| 12  | 22.00 | 24.90 | 28.00 |
| 13  | 24.00 | 26.90 | 30.00 |
| 14  | 26.00 | 28.90 | 32.00 |
| 15  | 28.00 | 30.90 | 34.00 |
| 16  | 30.00 | 32.90 | 36.00 |
| 17  | 32.00 | 34.90 | 38.00 |
| 18  | 34.00 | 36.90 | 40.00 |
| 19  | 36.00 | 38.90 | 42.00 |
| 20  | 38.00 | 40.90 | 44.00 |

**深圳市韩下电子有限公司**  
 HANKIA

品名 (TITLE): **针座**  
 制图 (DRA): 黄彬  
 校对 (CHECK): 张伟

料号 (DWG.NO): HX 2.0-5P WTDK  
 审核 (APPD): 罗小春  
 张数 (SHEET): 1 OF 1  
 比例 (SCALE): 1:1  
 单位 (UNITS): mm

RoHS

一般公差 (TOLERANCE)  
 X ±0.10  
 X ±0.20  
 ANGLES ±1°



深圳市韩下电子有限公司

Shenzhen Hanxia Electronic Co., Ltd  
Tel: 0755-33819206 Fax: 0755-27597491

## 承 认 书

### SPECIFICATION FOR APPROVAL

客 户 Customer:

\_\_\_\_\_

产品名称 Project:

针座

\_\_\_\_\_

规格型号 Part No:

HX 2.0-5P WTDK

\_\_\_\_\_

#### 贵公司承认印 Approval signatures

| 料 号/Part No. | 签 章/Signatures |
|--------------|----------------|
|              |                |

日期 Date:

|             |     |  |
|-------------|-----|--|
| 拟制/Drawn    | 黄彬  |  |
| 审核/Check    | 张伟  |  |
| 批准/Approved | 罗小春 |  |

## 1、SCOPE: (适用范围)

1.1 This specification covers production and inspection of Connector.

本规范内容适用于本公司普通系列型条形连接器（针座）产品的生产与检验。

## 2、USE CONDITION: (使用条件)

2.1 Ambient temperature Range:  $-40^{\circ}\text{C} \sim +85^{\circ}\text{C}$

环境温度:  $-40^{\circ}\text{C} \sim +85^{\circ}\text{C}$

2.2 Applicable Wire Sizes: AWG#28~#22

适用线规: AWG#28~#22

2.3 Applicable PC board thickness: 1.2~1.6mm

适用PC板厚度: 1.2~1.6 mm

## 3、Appearance and Dimension: (外观及尺寸)

3.1 Appearance: Product surface without defect, dirt, crack, and mechanical damage, Contact without rust, plating not oxidized and not peeled.

产品表面不应有对制品有害的缺陷、污垢、裂痕及机械损伤；接触件无锈蚀、镀层氧化、脱落等现象。

3.2 Dimension: According to drawings

外形尺寸: 依照附图

3.3 Exchangable: Exchangable with same specification products.

互换性: 相同规格应能互换

## 4、Material:

材料 (以图纸为准)

| P/N<br>零件名称                   | Type<br>类型         | Material<br>材料                   | Finish<br>表面处理   | Explain<br>说明     |
|-------------------------------|--------------------|----------------------------------|--|-------------------|
| Terminal<br>端子                | Contact<br>插簧      | Phosphor bronze<br>锡青磷铜 厚 0.15mm | Tin Plating: 3~4 $\mu\text{m}$<br>镀锡: 3~4 $\mu\text{m}$  | RoHS<br>Compliant |
| Housing<br>孔座                 | Plastic<br>塑壳      | Nylon66 UL94V-0                  | Color: White<br>颜色: 白色                                   |                   |
| Opening Wafer<br>开口针座         | Contact<br>插针      | Phosphor bronze<br>锡青磷铜 厚 0.30mm | Tin Plating: 3~4 $\mu\text{m}$<br>镀锡: 3~4 $\mu\text{m}$  |                   |
|                               | Plastic<br>塑壳      | Nylon46 UL94V-0                  | Color: Beige<br>颜色: 米色                                   |                   |
| Lips Wafer<br>闭口针座            | Contact<br>插针      | Phosphor bronze<br>锡青磷铜 厚 0.30mm | Gold Plating: 3~4 $\mu\text{m}$<br>镀金: 3~4 $\mu\text{m}$ |                   |
|                               | Plastic<br>塑壳      | PBT UL94V-0                      | Color: White<br>颜色: 白色                                   |                   |
| Tiepian Wafer<br>卧贴针座<br>立贴针座 | Contact<br>插针      | Phosphor bronze<br>锡青磷铜 厚 0.30mm | Tin Plating: 3~4 $\mu\text{m}$<br>镀锡: 3~4 $\mu\text{m}$  |                   |
|                               | Solder tabs<br>焊护耳 | Phosphor bronze<br>锡青磷铜 厚 0.25mm | Tin Plating: 3~4 $\mu\text{m}$<br>镀锡: 3~4 $\mu\text{m}$  |                   |
|                               | Plastic<br>塑壳      | Nylon46 UL94V-0                  | Color: Beige<br>颜色: 米色                                   |                   |

## 5、Electrical Performance:

电气性能

| N0.<br>序号 | Ltem<br>项目                    | Requirement<br>技术要求   |
|-----------|-------------------------------|-----------------------|
| 5.1       | Voltage Rated<br>额定电压         | 250V AC DC            |
| 5.2       | Current Rated<br>额定电流         | 2A AC DC              |
| 5.3       | Contact Resistance<br>接触电阻    | $\leq 0.025 \Omega$   |
| 5.4       | Insulation Resistance<br>绝缘电阻 | $\geq 1000 M\Omega$   |
| 5.5       | Dielectric Strength<br>耐压     | $\geq 800V$ AC/minute |

## 6、Mechanical Performance:

机械性能

| N0.<br>序号 | Ltem<br>项目                               | Requirement<br>技术要求 |
|-----------|--|---------------------|
| 6.1       | Male contact Retention force<br>PIN 针固定力 | $\geq 15N$ per pin  |
| 6.2       | Female contact Retention force<br>端子固定力  | $\geq 15N$ per pin  |
| 6.3       | Plug-in force<br>插入力                     | $\leq 3N$ per pin   |
| 6.4       | Plug-out force<br>拔出力                    | $\geq 0.5N$ per pin |

## 7、Endurance Characteristics:

环境性能

| N0.<br>序号 | Ltem<br>项目            | Requirement<br>技术要求  |
|-----------|-----------------------|--|
| 7.1       | Soldering rest<br>可焊性 | Time: $2.5 \pm 0.5S$<br>时间: $2.5 \pm 0.5S$<br><br>Temperature: $260 \pm 5^\circ C$<br>温度: $260 \pm 5^\circ C$<br><br>Area of Soldering: $\geq 95\%$<br>焊锡面积: $\geq 95\%$ |

|     |                                      |  |
|-----|--------------------------------------|--|
| 7.2 | Resistance to soldering Heat<br>耐焊接热 | <p>Time: 5 ± 1S<br/>时间: 5 ± 1S</p> <p>Temperature: 260 ± 5°C<br/>温度: 260 ± 5°C</p> <p>Appearance: NO Damage<br/>外观: 无损坏</p>  |
| 7.3 | Heat test<br>耐热性                     | <p>Time: 96h<br/>时间: 96 小时</p> <p>Temperature: +85 ± 3°C<br/>温度: +85 ± 3°C</p> <p>Appearance: NO Damage<br/>外观: 无损坏</p> <p>Contact resistance: ≤ 20 mΩ<br/>接触电阻: ≤ 20 mΩ</p>   |
| 7.4 | Cold test<br>耐冷性                     | <p>Time: 48h<br/>时间: 48 小时</p> <p>Temperature: -25 ± 3°C<br/>温度: -25 ± 3°C</p> <p>Appearance: NO Damage<br/>外观: 无损坏</p> <p>Contact resistance: ≤ 20 mΩ<br/>接触电阻: ≤ 20 mΩ</p>   |
| 7.5 | Temperature Cycling<br>温度循环          | <p>Low temperature: -25 ± 3°C<br/>低温: -25 ± 3°C</p> <p>High temperature: 85 ± 3°C<br/>高温: 85 ± 3°C</p> <p>For 5 cycles. test after keeping in Normal Condition for 30 min.<br/>5 次循环后, 放置在正常环境中 30 分钟, 在进行测试</p> <p>Appearance: NO Damage<br/>外观: 无损坏</p> <p>Contact resistance: ≤ 20 mΩ<br/>接触电阻: ≤ 20 mΩ</p> |

|     |                                |  |
|-----|--------------------------------|--|
| 7.6 | Invariablenes humidity<br>恒定湿热 | <p>Temperature: <math>60 \pm 2^\circ\text{C}</math><br/>温度: <math>60 \pm 2^\circ\text{C}</math></p> <p>Relative humidity: 90%-96% RH<br/>相对湿度: 90%-96% RH</p> <p>Tim: 96h<br/>时间: 96 小时<br/>Appearance: NO Damage<br/>外观: 无损坏</p> <p>Contact resistance: <math>\leq 20 \text{ m}\Omega</math><br/>接触电阻: <math>\leq 20 \text{ m}\Omega</math></p> <p>Insulation Resistance: <math>\geq 100 \text{ M}\Omega</math><br/>绝缘电阻: <math>\geq 100 \text{ M}\Omega</math></p>   |
| 7.7 | Salt Spray<br>盐雾试验             | <p>Salt concentration: <math>5 \pm 1\%</math><br/>浓度: <math>5 \pm 1\%</math></p> <p>Temperature: <math>35 \pm 2^\circ\text{C}</math><br/>温度: <math>35 \pm 2^\circ\text{C}</math></p> <p>Tim: <math>16 \pm 2\text{h}</math><br/>时间: <math>16 \pm 2</math> 小时</p> <p>After salt is removed by running wafer and A drop is removed ,it is measured.</p> <p>把试验样品从试验箱顶悬挂下来, 采用浓度(<math>5 \pm 1</math>) %的氯化钠溶液, 连续雾化 16 小时, 试验后用流动的蒸馏水轻轻洗去表面沉积物, 在常温常驻湿条件下恢复 1-2 小时, 外观无损伤</p> <p>Appearance: NO Damage<br/>外观: 无损坏</p> <p>Contact resistance: <math>\leq 20 \text{ m}\Omega</math><br/>接触电阻: <math>\leq 20 \text{ m}\Omega</math></p> |



## 8、 Packaging Transportation Storage

包装、运输、贮存

### 8.1 Packaging

包装

- (1) **The packing of plastic inner is the plastic bag,the packing of inner terminal is panel mounting attach material packing, marked with product name, specification model, quantity, date in produced.**

塑件内包装为塑料袋， 端子内包装为盘装带料包装， 装（贴）入合格证， 注明产品名称、规格型号、数量生产日期

- (2) **Exterior package is carton, facing the packing list, the packing list marked with product name, specificcation model, quantity, date of dispatch.**

外包装为纸箱，贴装箱单、装箱单上注明产品名称、规格型号、数量、出货日期

- (3) **The product in the box must not rock.**

产品在箱内不晃动

### 8.2 Transportation

运输

**Allow for any way transportation, can't get wet and mechanical in jury.**

允许用任何方式运输，勿淋湿及机械性损伤

### 8.3 Storage

贮存

**The connector of packing finished should be in the ambient temperature between-10℃ to+40℃, Relative humidity≤80%. To store in storehouse does not have acidic, alkaline air and other corrosive gas in the ambient air.**

包装完毕的连接器应在环境温度为-10℃~+40℃，相对湿度≤80%，周围空气中没有酸性，碱性及其它腐蚀性气体的库房中贮存

## X-ON Electronics

Largest Supplier of Electrical and Electronic Components

*Click to view similar products for [Headers & Wire Housings](#) category:*

*Click to view products by [hanxia](#) manufacturer:*

Other Similar products are found below :

[0015917161](#) [0022155065](#) [57102-F02-18ULF](#) [58102-G61-06LF](#) [582553-1](#) [01.001.5753.1](#) [0050291907](#) [02.125.8002.8](#) [609-3404](#) [61062-3](#)  
[CSU011177004](#) [622-0430](#) [622-3653LF](#) [63453-116](#) [636-1030](#) [636-1427](#) [636-3427](#) [636-4007](#) [641938-9](#) [65495-038](#) [65692-001LF](#) [65781-018](#)  
[65781-047](#) [65817-010LF](#) [65817-015LF](#) [67095-007LF](#) [67601157](#) [68631-112](#) [699319-000](#) [70.362.1628.0](#) [70-4210](#) [70-4226B](#) [70-4853B](#) [707-](#)  
[5028](#) [71.350.2428.0](#) [733-134](#) [733-162](#) [760-3052](#) [MHR-64-VUAL](#) [80.063.4001.1](#) [800-90-001-10-001000](#) [801-43-002-10-013000](#)  
[801-43-006-10-002000](#) [803-43-024-10-001000](#) [803-93-012-10-001000](#) [8-1437020-4](#) [819-22-004-30-001101](#) [820-22-006-30-001101](#)  
[820-22-008-30-001101](#) [821-22-002-10-001101](#)