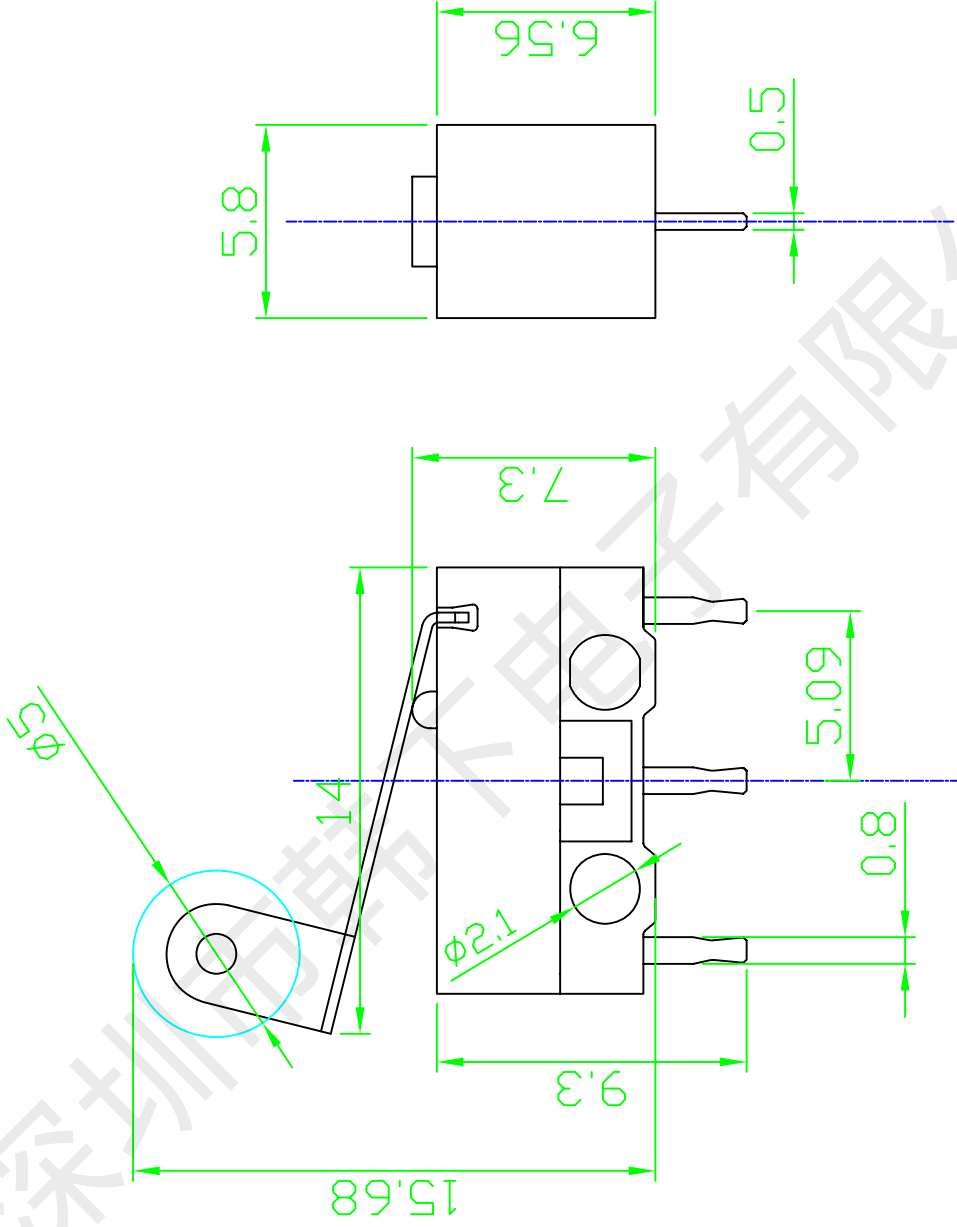


注塑模



|    |       |     |    |   |  |                        |          |    |    |     |     |     |
|----|-------|-----|----|---|--|------------------------|----------|----|----|-----|-----|-----|
| 符号 | 修改前记录 | 修订者 | 日期 | 一般公差<br>X, ±0.01<br>.X, ±0.005<br>.XX, ±0.002<br>.XXX, ±0.002 | 角 度 公 差<br>X°, ±0.01°<br>.X°, ±0.005°<br>.XX°, ±0.002° | <br><b>深圳市韩下电子有限公司</b> |          | 品名 | 料号 | 图名  | 图号  |     |
|    |       |     |    |   |  | 微动开关                   | HX JL010 | 模号 | 比例 | 单位  | 视角  |     |
|    |       |     |    |   |  | 版次                     | 材料       | 硬度 | 数量 | 数量  |     |     |
|    |       |     |    |   |  | 核准                     | 审核       | 设计 | 绘图 | 罗孝金 | 钟兴华 | 李春风 |



深圳市韩下电子有限公司

Shenzhen Hanxia Electronic Co., Ltd  
Tel: 0755-33819206 Fax: 0755-27597491

承 认 书  
SPECIFICATION FOR APPROVAL

客 户 Customer: \_\_\_\_\_

产品名称 Project: 微动开关

规格型号 Part No: HX JL010

贵公司承认印 Approval signatures

| 料 号/Part No. | 签 章/Signatures |
|--------------|----------------|
|              |                |

日期 Date:

|             |     |  |
|-------------|-----|--|
| 拟制/Drawn    | 李春风 |  |
| 审核/Check    | 钟华华 |  |
| 批准/Approved | 罗孝金 |  |



## 规格书 SPECIFICATION

### 1. 一般特性 General Characteristics

- 1.1 额定值(Rating Value): AC 125V 1A
- 1.2 工作温度(Work Temperature Range):  $-25^{\circ}\text{C} \sim 85^{\circ}\text{C}$
- 1.3 存贮温度(Store Temperature Range):  $-20^{\circ}\text{C} \sim 80^{\circ}\text{C}$
- 1.4 正常测试条件(未有特殊说明量测在以下条件进行):

General test condition (Tests and measurements shall be made under the following standard conditions unless otherwise specified):

正常温度:  $5^{\circ}\text{C} \sim 35^{\circ}\text{C}$       相对湿度: 45%~85% RH      气压: 8,600~10,600 帕  
 Temperature:  $5^{\circ}\text{C} \sim 35^{\circ}\text{C}$       Relative humidity: 45%~85%      Air pressure: 8,600~10,600 pa

### 2. 产品外观及尺寸要求 Appearance & Dimension Requirement

- 2.1 产品外形结构紧凑,无配合不良。  
The structure of product is compact, and assembly of parts has no badness.
- 2.2 产品塑胶部件无严重缩水、披锋、欠注、斑点、破损或变形现象。  
The plastic parts of product have no serious defects such as very serious shrink, scarcity, fleck, disrepair, transmutation, etc.
- 2.3 产品引脚和外壳无严重氧化、脏污、变形、毛刺或电镀不良。  
Lead feet and shell have no serious defects such as oxidation, smudge, disrepair, burr, defects on plating.
- 2.4 开关操作顺畅,节奏感强,无明显卡塞现象。  
Operating switch is unhindered, rhythmmed, and there is not palpable clag.
- 2.5 产品结构及尺寸参见产品规格图纸。  
Construction and dimensions: Refer to individual product drawing.

### 3. 电气特性 Electronic Characteristics

| No. | 项目<br>Item                           | 测试方法<br>Test Method  | 测试设备<br>Equipment                     | 特性要求<br>Requirements  |
|-----|--------------------------------------|--|---------------------------------------|---|
| 3.1 | 接触电阻<br>Contact Resistance           | 在低电流 ( $\leq 100\text{mA}$ ) 条件下测试。<br>Measured at low current (100mA or less).  | 低电阻测试仪<br>Low Resistance Meter        | $500\text{m}\Omega$ MAX   |
| 3.2 | 绝缘阻抗<br>Insulation Resistance        | 测试相邻引脚之间, 引脚与外壳之间的绝缘阻抗。<br>Measurement shall be made between adjacent terminals, between terminal and shell.   | 绝缘测试机<br>Insulation Resistance Tester | $100\text{M}\Omega$ MIN   |
| 3.3 | 耐压测试<br>Dielectric Withstand Voltage | 输入一定电压 (50~60Hz, 电压值 AC 500V) 1 分钟, 漏电流为 2mA, 测试邻近端子间。<br>Apply certain voltage (50~60Hz, AC 500V) for 1 minute between adjacent contacts of the connector with 2mA leakage sensitivity. | 耐压测试机<br>Puncture Tester              | 没有绝缘破坏。<br>电弧等异常。<br>No arcing, break down and damaging insulation. |

#### 4. 机械特性 Mechanical Characteristics

| No. | 项目<br>Item             | 测试方法<br>Test Method   | 测试设备<br>Equipment  | 特性要求<br>Requirements |
|-----|------------------------|---|--------------------|----------------------|
| 4.1 | 操作力<br>Operation Force | <p>逐渐施力操作开关按键，测量开关到达全部工作行程时所需的最大操作力度。</p> <p>Operate the keystroke of the switch and then increase press strength gradually, Measured maximum operation force while the travel of the switch is full.</p> | 测力计<br>Force Gauge | 30±15gf              |

#### 5. 可靠性测试 Reliability trial

| No. | 项目<br>Item                           | 测试方法<br>Test Method   | 测试设备<br>Equipment    | 特性要求<br>Requirements   |
|-----|--------------------------------------|---|----------------------|--|
| 5.1 | 可焊性试验<br>Solder ability Test         | <p>端子顶部被浸入焊锡炉中，温度为 235±5℃，时间 5±1 秒。</p> <p>The top of the terminals shall be dipped in the solder bath at 235±5℃ for 5±1 seconds.</p>   | 控温锡炉<br>Solder Stove | <p>引脚至少 95%上锡。</p> <p>Ninety-five percent of terminals shall be dipped.</p>  |
| 5.2 | 寿命试验<br>Operation Life               | <p>开关在寿命试验设备上以约 90 次 / 分的速度连续被操作，具体次数见规格图示。</p> <p>Switch shall be operated continuously at about 90 cycles /min without load.</p>  | 寿命试验机<br>Life Tester | <p>寿命:100000 次</p> <p>实验后:</p> <p>绝缘电阻: 10MΩ Min</p> <p>操作力: 变化在±50%内开关外观及结构无损坏。</p> <p>Life test:100000 cycles</p> <p>After test, Insulation resistance:10MΩ Min</p> <p>Operating force: Change should be within ±50% of specified value.</p> <p>No abnormalities shall be recognized in appearance and construction.</p> |
| 5.3 | 耐焊接热<br>Resistance to Soldering heat | <p>端子焊接部分浸入焊炉，焊炉温度 235± 5℃，焊接时间 5±1 秒。(焊接时不可于端子施加外力)。</p> <p>Terminals shall be dipped in the solder bath at 235±5℃ for 5±1 seconds without additional force for terminals.</p> | 控温锡炉<br>Solder Stove | <p>本体无变形，能满足于机械、电气性能。</p> <p>Appearance should be not damaged, electrical and mechanical characteristics shall be satisfied.</p>   |

**5. 可靠性测试 Reliability trial**

| No. | 项 目<br>Item                          | 测试方法<br>Test Method   | 测试设备<br>Equipment                              | 特 性 要 求<br>Requirements   |
|-----|--------------------------------------|---|--|---|
| 5.4 | 耐高温测试<br>Resistance to Heat Test     | 放置在温度 $80\pm 2^{\circ}\text{C}$ 环境中 96 小时后，再置于正常条件下 1 小时后测定。<br>The switch shall be stored at a temperature of $80\pm 2^{\circ}\text{C}$ for 96 hours, Measurements shall be made after it be subjected to the standard conditions for 1 hour.  | 高低温试验机<br>High & Low Temperature Tester        | 外观，机械及电气性能均符合要求。<br>Appearance, electrical and mechanical characteristics shall be satisfied. |
| 5.5 | 耐低温测试<br>Resistance to Cold Test     | 放置在温度 $-20\pm 2^{\circ}\text{C}$ 环境中 96 小时后，再置于正常条件下 1 小时后测定。<br>The switch shall be stored at a temperature of $-20\pm 2^{\circ}\text{C}$ for 96 hours, Measurements shall be made after it be subjected to the standard conditions for 1 hour.  | 高低温试验机<br>High & Low Temperature Tester        | 外观，机械及电气性能均符合要求。<br>Appearance, electrical and mechanical characteristics shall be satisfied. |
| 5.6 | 耐湿性测试<br>Resistance to Humidity Test | 放置于温度 $40\pm 2^{\circ}\text{C}$ ，相对湿度为 90~96% 环境中 96 小时后，再置于正常条件下 1 小时后测定(注意要擦去水滴)。<br>The switch shall be stored at a temperature of $40\pm 2^{\circ}\text{C}$ , relative humidity 90~96% for 96 hours, Measurements shall be made after it be subjected to the standard conditions for 1 hour (Wipe out water drip).  | 恒温恒湿箱<br>Temperature & Humidity Tester Chamber | 外观，机械及电气性能均符合要求。<br>Appearance, electrical and mechanical characteristics shall be satisfied. |
| 5.7 | 盐雾实验<br>Salt Mist Test               | 试件在下述实验后测量：<br>1. 温度： $35\pm 5^{\circ}\text{C}$<br>2. 盐溶液浓度： $5\pm 1\%$ (质量百分比)，<br>3. 试验时间：24 小时，<br>4. 试验后，将盐沉积物用水冲掉。<br>The switch shall be checked after following test:<br>1. Temperature: $35\pm 5^{\circ}\text{C}$<br>2. Salt solution: $5\pm 1\%$ (Solids by mass)<br>3. Duration: 24 hours,<br>4. After immersing, salt deposit shall be removed by running water. | 盐雾试验机<br>Salt Spray Tester                     | 在金属件上没有严重腐蚀斑点。<br>No remarkable corrosion shall be recognized in metal parts.                 |

## X-ON Electronics

Largest Supplier of Electrical and Electronic Components

*Click to view similar products for [Basic / Snap Action Switches](#) category:*

*Click to view products by [hanxia](#) manufacturer:*

Other Similar products are found below :

[5SM901-S12](#) [5SM9-S12N195](#) [602EN532](#) [602EN535-RB](#) [602HE5-RB1](#) [604HE223-6B](#) [624HE17-RB](#) [6HM82](#) [6SE1](#) [6SX1-H58](#) [71051](#) [714-0293](#) [MBH2731](#) [79211923](#) [79218589](#) [MIL30126AB6BBMD4A12XAU](#) [ML-1155](#) [ML-1376](#) [831010C3.0](#) [831090C2.EL](#) [83131904](#) [84212012](#) [8AS239](#) [8HM73-3](#) [8SX26-H33](#) [914CE1-6G](#) [11SM1077-H4](#) [11SM1077-H58](#) [11SM1-TN107](#) [11SM405](#) [11SM703-T](#) [11SM8423-H2](#) [11SX37-T](#) [11SX48-H58](#) [11SM2442-T](#) [11SM76-T](#) [11SM77-H58](#) [11SM77-T](#) [11SM863-T](#) [11SM866](#) [121EN188-R](#) [1245.0120](#) [125EN56-RB](#) [D433V3RD](#) [1267.0101](#) [1267.7101](#) [D4BFC1](#) [12SM4-T2](#) [12SX2-T2](#) [1298.0101](#)