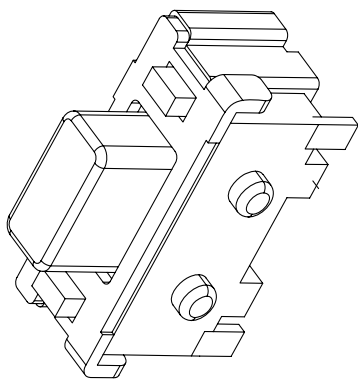
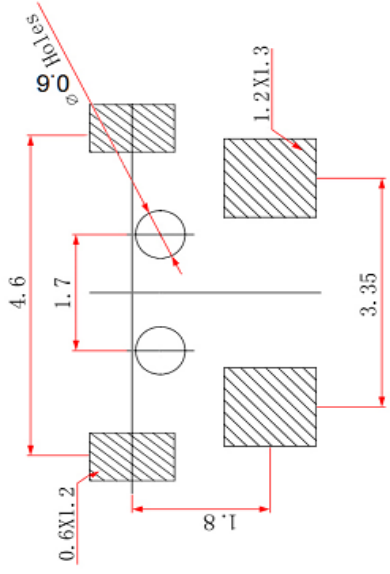
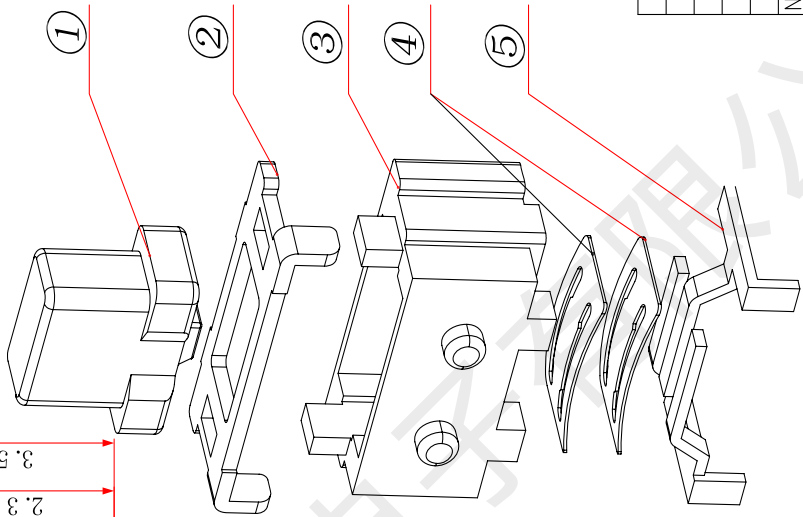
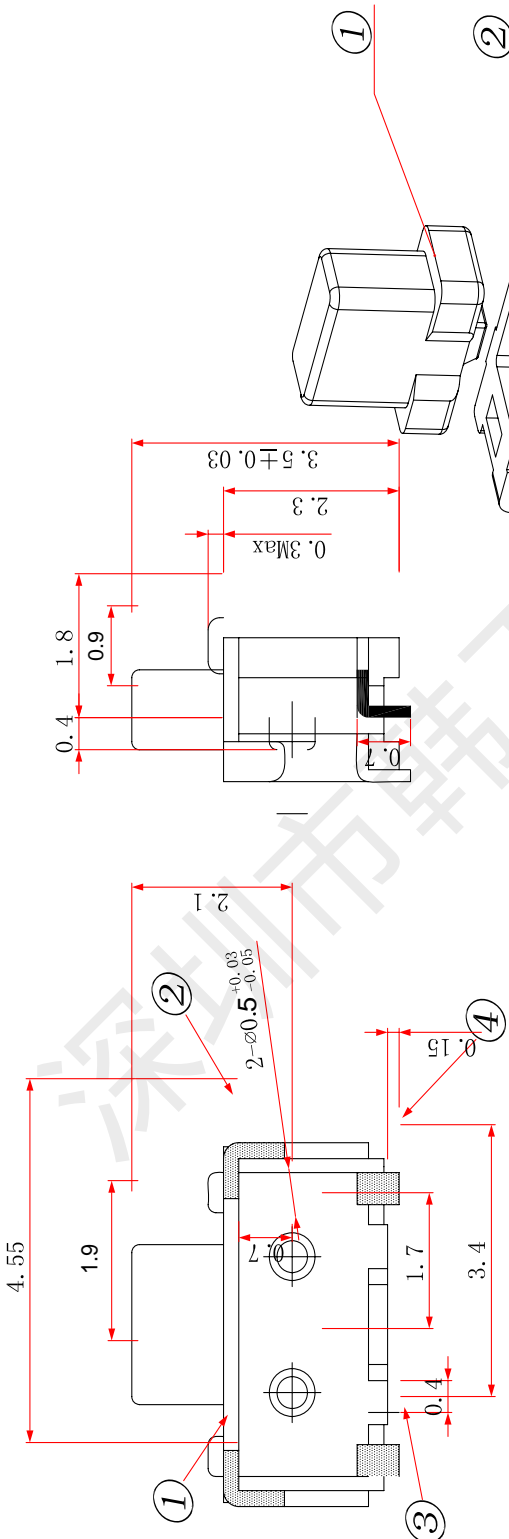


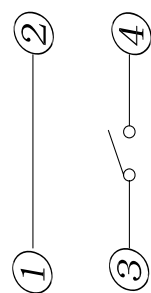
| 尺寸范围  | 未注公差值 |
|-------|-------|
| 0~3   | ±0.1  |
| 3~6   | ±0.15 |
| 6~9   | ±0.2  |
| 9~12  | ±0.25 |
| 12~15 | ±0.3  |



1. 额定负载: DC12V 50mA.
2. 行程: 0.2 ± 0.05mm
3. 克力: 160 ± 30gf.
4. 绝缘电阻: 50mΩMin.
5. 接触电阻: 100mΩMax.
6. 寿命: 20,000 Cycles Min.



电路简图  
SCHEMATIC



印制线路板  
Recommended P.C.B layout

|                 |          |       |        |
|-----------------|----------|-------|--------|
| 5 接触脚           | 磷铜       | ----- | REMARK |
| 4 弹片            | 不锈钢      | ----- | 外购     |
| 3 底座            | LCP      | 白色    |        |
| 2 盖板            | 磷铜=0.2   | ----- | 镀银     |
| 1 按钮            | PA6T     | 黑色    |        |
| NO. DESCRIPTION | MATERIAL | COLOR | REMARK |

|                                  |                 |
|----------------------------------|-----------------|
| 韩下 HANXIA<br>深圳市韩下电子有限公司<br>轻触开关 |                 |
| CUSTOMER 名称                      | COPY TITLE:     |
| 型號 TYPE NO.                      | HX TS24CA 160GF |
| 料號 PART NO.(OLD)                 |                 |
| 圖號 DRAWING NO.                   | A               |
| SCALE 5:1                        | UNIT mm         |
| 5:1                              | A4              |

|                         |               |   |
|-------------------------|---------------|---|
| DRAW                    | 李春风           | 2020. 6. 19                                 |
| DESIGN                  |               |   |
| CHECH                   | 钟德华           | 2020. 6. 19                                 |
| APPRO.                  | 罗孝金           | 2020. 6. 19                                 |
| 工程变更通知單<br>EON(DCN) NO. | PA 2007-12-28 | NEW   |
| 版次<br>REV               | 日期<br>DATE    | 說明<br>DESCRIPTION                           |
| 改變<br>CHANGE            | 承認<br>APPRO.  | GENERAL TOLERANCE<br>UNLESS OTHERWISE NOTED |



深圳市韩下电子有限公司

Shenzhen Hanxia Electronic Co., Ltd  
Tel: 0755-33819206 Fax: 0755-27597491

## 承 认 书

### SPECIFICATION FOR APPROVAL

客 户 Customer:

\_\_\_\_\_

产品名称 Project:

轻触开关

规格型号 Part No:

HX TS24CA 160GF

#### 贵公司承认印 Approval signatures

| 料 号/Part No. | 签 章/Signatures |
|--------------|----------------|
|              |                |

日期 Date:

|             |     |  |
|-------------|-----|--|
| 拟制/Drawn    | 李春风 |  |
| 审核/Check    | 钟华华 |  |
| 批准/Approved | 罗孝金 |  |



## 产 品 规 格 书

### PRODUCT SPECIFICATION

|                               |                                    |  |   |
|-------------------------------|------------------------------------|--|---|
| SIRLES                        |                                    | 系列:FLIP SWITCHES(轻触开关)   |   |
| MODEL                         |                                    | 型号: HX TS24CA 160GF  |   |
| 1.RATING                      |                                    | 额定值:50mA 12V DC  |   |
| 2.CONSTRUTION DIMENSION 结构尺寸  |                                    | Apply to the appended drawing:符合附加图纸   |   |
| 3.APPEARANCE 外观               |                                    | Have no remarkable damage,crack and rust etc:无明显损伤,裂纹,锈迹等.   |   |
| 4.CONTACTLOOP 接触回路            |                                    | Monople loop:单通单极回路  |   |
| ITEM 专案                       | TEST CONDITION 测试条件                | SPECIFICATION 规格   |   |
| 5.CAPABILITY OF ELECTRIC 电气性能 |                                    |  |   |
| 5A                            | INSULATION RESISTANCE<br>绝缘电阻      | Measurements shall be made following Application of DC500V potential across terminals and across terminals and fuame for 1minute,在端子之间和端子与壳之间加 DC250V 条件下,持续 1 分钟测量. | 100M $\Omega$ min<br>100 M $\Omega$ 以上.                                       |
| 5B                            | WITHSTAND VILTAGE<br>耐电压           | AC250V、50HZ、1 min (imin(interrupting current $\leq$ 500uA). AC250V、50HZ、1 分钟(漏电流 500uA)  | There shall be no briakdown 无击穿现象出现。  |
| 5C                            | CONTACT CIRCUIT<br>接触电路            | Addition 1.5-2 time force on the top of the keystrok and press the switch,DC50V100mA 在按键顶端上等于作用力 1.5-2 倍的力按动开关,DC50V,10Ma.   | 50m $\Omega$ Max<br>(50m $\Omega$ 以下).  |
| 5D                            | SWITCH CONNECTION FLASH<br>开关接触点抖动 | Addition DC5V on the two side of switch,at a speed of 3-5time a sec.to press the switch.在开关的两端加 DC5V 的电压,以 3-5 次/秒的速度按动开关.   | The flash time between open not more than 10ms.<br>开关在接通和断开时的接点抖动时间不大于 10 ms. |
| 6.MECHANICAL EFFICIENCY 机械性能  |                                    |  |   |
| 6A                            | CONTACT STRENGTH<br>按键强度           | The contact shall be capable of a rorece of 5N for 5 seconds in any directions.沿开关动作方向可承受静能压力 5N, 保持 5 秒钟.   | Switch electric andmechanical efficiency does not break 无损开关电气或者机械性能          |
| 6B                            | CONTACT JOURNEY                    |  | 按键行程<br>0.2 $\pm$ 0.05mm  |
| 6C                            | DRIVE FORCE<br>驱动力                 | Being measure at across spring piece and across keystroke forergometer.<br>用测力计在按键与弹片之间测量.   | 按键的开关驱动力<br>160 $\pm$ 30gf  |



|   |   |   |  |
|---|---|---|--|
| 6D  | CONNECTION STRENGTH<br>接线端强度  | A force of 1N being applying in any directions of the switch connection partt..在接线端的作用方向施加 1N 的力.   | Switch mechanical efficiency does not break.无损开关机械性能.  |
| 6E  | MECHANICAL LIFE<br>机械寿命   | Operatin at a rate of 30-50 cycles a minute. 以 30-50 次/分的驱动速度操作.  | Life:20000cycles<br>寿命:20000次  |
| 7.ENVIRONME NT---RESISTANT EFFICIENCY 耐环境性能 |   |   |  |
| 7A  | CHANGE OF TEMPERATURE 温度变化  | The first temperature shall be 70 °C ,3h and changed to-25°C, 0.5h, 5cycles of above test. 先 70°C, 3h, 然后-25°C, 0.5h, 如此重复 5 次.   | 1. The appearance should not break.外观应无损伤.<br>2. Contact resistance $\leq 100 M \Omega$<br>接触电阻 $\leq 100M\Omega$                            |
| 7B  | HUMIDITY RESISTANT<br>耐湿热   | 40 $\pm$ 2°C in temperature and 90-95%RH, Ruring thetest time without load; After testing the temperature should be 24h. 经 40 $\pm$ 2°C, 相对湿度 90-95%, 试验期间, 开关不动作, 不带电负荷, 试验后恢复到常温 24h. | 3. Insulation resistance $\geq 100 M \Omega$ .<br>绝缘电阻 $\geq 100 M \Omega$   |
| 8.IOINTING EFFICIENCY 焊接性能                  |   |   |  |
| 8A  | SOLDERABILITY<br>可焊性  | Temperature260 $\pm$ 5 °C ;Duration;3 $\pm$ 0.5S:温度在 260 $\pm$ 5°C, 持续 3 $\pm$ 0.5S.  | Solderability part should above 90%<br>可焊部分被焊料覆盖面应在 90% 以上.  |
| 8B  | SOLDER—RESISTANT<br>耐焊剂性  | Warm-up temperature:100°C,40S, 焊锡温度 260 $\pm$ 5 °C, 浸焊时间 5 $\pm$ 0.5S.  | Froth height of assist solder should under board and switch electric and mechanical efficien- cy does not break.助焊剂发泡不应超过印制板,无损伤开关电气或机械动作性能. |
| 8C  | JOINTING—RESISTANT<br>耐焊接热  | Jointing temperature: 260 $\pm$ 5 °C ,Duration of immersion: 5 $\pm$ 1S. 焊锡温度 260 $\pm$ 5°C, 浸焊时间 5 $\pm$ 1S  | efficiency does not break 无损伤开关电气或机械动作性能.  |
| 8D  | NORMAL JOLNTING TIMES<br>正常焊接次数   |   | $\leq 2$ times 小于 2 次  |
| 9.NOTES                                     |   |   |  |
| 9A  | The whole boxes of switch should keep in the temperature -30--80 °C and less than 80%RH withort acidic,alkalescence,caustic gas in the environment of the storage.<br>整箱包装的开关,应在温度为-30--80°C,相对湿度不大于 80%,周围的空气中没有酸性、碱性或其他腐蚀性气体的库房内保管。 |   |  |
| 9B  | Operating Temperature Range:-20 to 70°C<br>操作温度的范围: -25 to 70°C   |   |  |
| 9C  | Switch should install in a correct method.<br>开关应按正确的安装方法进行正确安装使用。  |   |  |

## X-ON Electronics

Largest Supplier of Electrical and Electronic Components

*Click to view similar products for [Tactile Switches](#) category:*

*Click to view products by [hanxia](#) manufacturer:*

Other Similar products are found below :

[6407-250V-25273P](#) [ADTSA62NV](#) [B3F-3123](#) [1977177-8](#) [1977266-1](#) [ADTSA63NV](#) [ADTSM21NSVTR](#) [ADTSM25RVTR](#) [ADTSM32NVTR](#)  
[ADTSMW64RV](#) [1977120-6](#) [FSMRA4JHA04](#) [GS4.70F300QP](#) [KSC241J SP DELTA LFS](#) [3FTL600RAS](#) [3FTL640RAS](#) [6407-250V-25343P](#)  
[ADTSM31NVTR](#) [2-1977120-7](#) [TSJW-5.2-260-TR](#) [Y651050400P](#) [KMT011MNGJLHS](#) [70-201.0](#) [ADTSG648NV](#) [ADTSM62KSVTR](#)  
[ADTSM648NV](#) [95C06E3RAT](#) [3ATH9Q](#) [FSMRA8JHA04](#) [HARS0073](#) [Y33R411N9FPLFT](#) [Y33R51139FPLFT](#) [Y31C01402FPLFS](#)  
[PTS645SK50SMTR92](#) [ADTSM32NVB](#) [KMS233GPWTLFG](#) [Y78B64124FP](#) [Y31CJ244KFP LFS](#) [Y96D113G0FP LFS](#) [Y33A812C5FP LFT](#)  
[Y56B2D120FP LFS](#) [Y31C5144KFP LFS](#) [PTS645 DVM83-BN125-2 LFS](#) [B3W 1000G](#) [KSC621G OL LFS](#) [B3F 1002C](#) [B3F 0047H](#) [B3W](#)  
[1002C](#) [B3F 5001G](#) [B3W 1100C](#)