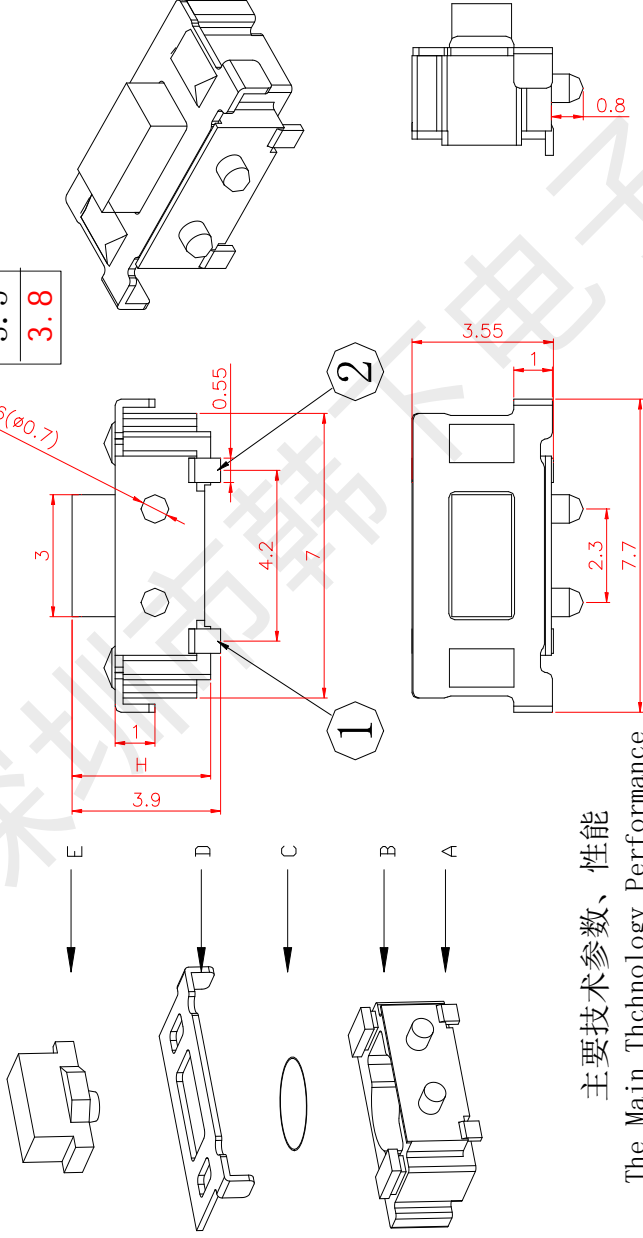


|     |
|-----|
| H   |
| 3.2 |
| 3.5 |
| 3.8 |



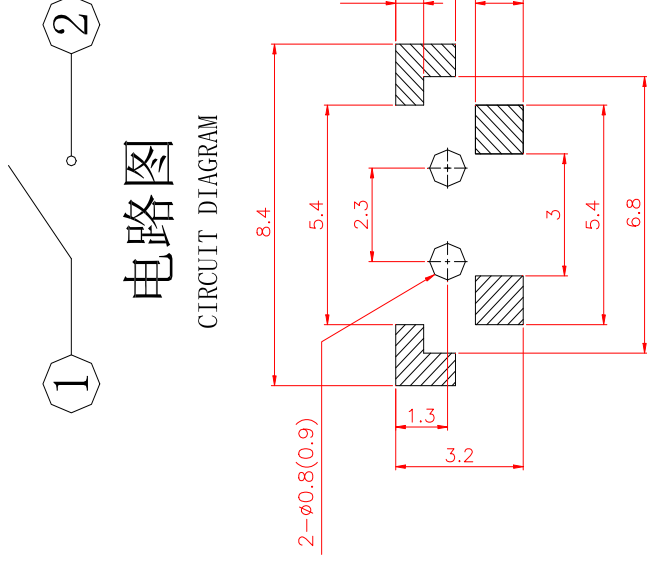
### 主要技术参数、性能

The Main Thchnology Performance

|                                  |              |
|----------------------------------|--------------|
| 额定电流、电压<br>Rate voltage, current | 50mA DC12V   |
| 接触电阻<br>Contact resistance       | ≤100mΩ       |
| 按力<br>Operating force            | 250±50gf     |
| 行程<br>travel                     | 0.20±0.1mm   |
| 绝缘电阻<br>Insulated resistance     | ≥100MΩ       |
| 介电强度<br>Dielectric strength      | ≥250VAC/1min |
| 寿命<br>Endurance                  | ≥20000次      |

### 电路图

CIRCUIT DIAGRAM



### PCB. 焊接图

PCB. WELDING DRAWING

|            |                   |                |           |                         |
|------------|-------------------|----------------|-----------|-------------------------|
| E          | 按钮                | PPA            | 1         | 黑色                      |
| D          | 盖板                | 黄铜             | 1         | 镀锡锡                     |
| C          | 弹片                | 不锈钢            | 1         | 镀银                      |
| B          | 本体                | LCP            | 1         | 白色                      |
| A          | 卡件                | 黄铜             | 1         | 镀银                      |
| 项目<br>ITEM | 名称<br>DESCRIPTION | 材质<br>MATERIAL | 数量<br>QTY | 表面处理/颜色<br>FINISH/COLOR |

第一视角  
FIRST VIEW



名称/NAME:

轻触开关

TACTILE SWITCH

型号/MODEL:

HX TS3638CA-0.6 250gf

|                   |    |     |            |              |     |                           |       |
|-------------------|----|-----|------------|--------------|-----|---------------------------|-------|
| 标记<br>SLNG        | 设计 | 黄彬  | 2017.05.17 | 比例<br>SCALE  | 1:1 | 一般公差<br>GENERAL TOLERANCE | ±0.10 |
| 处数<br>FREQUENCY   | 审核 | 张伟  | 2017.05.19 | 单位<br>UNIT   | mm  | >0.5~2                    | ±0.25 |
| 更改文件号<br>REVISION | 批准 | 罗小春 | 2017.05.21 | 重量<br>WEIGHT |     | >2~5                      | ±0.30 |
| 日期<br>DATE        | 批准 |     |            | 角度<br>ANGLE  |     | >5~10                     | ±0.5° |



深圳市韩下电子有限公司



深圳市韩下电子有限公司

Shenzhen Hanxia Electronic Co., Ltd  
Tel: 0755-33819206 Fax: 0755-27597491

**承 认 书**  
**SPECIFICATION FOR APPROVAL**

客 户 Customer:

\_\_\_\_\_

产品名称 Project:

轻触开关

\_\_\_\_\_

规格型号 Part No:

HX TS3638CA-0.6 250gf

\_\_\_\_\_

**贵公司承认印 Approval signatures**

| 料 号/Part No. | 签 章/Signatures |
|--------------|----------------|
|              |                |

日期 Date:

|             |     |  |
|-------------|-----|--|
| 拟制/Drawn    | 黄 彬 |  |
| 审核/Check    | 张 伟 |  |
| 批准/Approved | 罗小春 |  |

## 产 品 规 格 书 PRODUCT SPECIFICATION

|                               |                                    |   |   |
|-------------------------------|------------------------------------|---|---|
| SIRLES                        |                                    | 系列:TACT SWITCHES(轻触开关)  |   |
| MODEL                         |                                    | 型号:HX TS3638CA-0.6 250gf  |   |
| 1.RATING                      |                                    | 额定值:50mA 12VDC  |   |
| 2.CONSTRUTION DIMENSION 结构尺寸  |                                    | Apply to the appended drawing符合附加图纸   |   |
| 3.APPEARANCE 外观               |                                    | Have no remarkable damage,crack and rust etc无明显损伤,裂纹,锈迹等.   |   |
| 4.CONTACTLOOP 接触回路            |                                    | Monople loop:单通单极回路   |   |
| ITEM 专案                       |                                    | TEST CONDITION 测试条件   | SPECIFICATION 规格  |
| 5.CAPABILITY OF ELECTRIC 电气性能 |                                    |   |   |
| 5A                            | INSULATION RESISTANCE<br>绝缘电阻      | Measurements shall be made following Application of DC500V potential across terminals and across terminals and fuame for 1minute在端子之间和端子与壳之间加 DC500V 条件下,持续 1 分钟测量. | 100MΩ min<br>100 兆欧以上.  |
| 5B                            | WITHSTAND VILTAGE<br>耐电压           | AC250V、50HZ、1 min (i min(i nterrupting current ≤500uA). AC250V、50HZ、1 分钟(漏电流 500uA)   | There shall be no briakdown 无击穿现象出现。  |
| 5C                            | CONTACT CIRCUIT<br>接触电路            | Addition 1.5-2 time force on the top of the keystrok and press the switch,DC50V100mA在按键顶端上等于作用力 1.5-2 倍的力按动开关,DC50V,10Ma.   | 100 mΩ Max<br>(100 mΩ 以下) .   |
| 5D                            | SWITCH CONNECTION<br>FLASH 开关接触点抖动 | Addition DC5V on the two side of switch,at a speed of 3-5time a sec.to press the switch在开关的两端加 DC5V 的电压,以 3-5 次/秒的速度按动开关.   | The flash time betwecn open not more than 10ms.<br>开关在接通和断开时的接点抖动时间不大于 10 ms. |
| 6.MECHANICAL EFFICIENCY 机械性能  |                                    |   |   |
| 6A                            | CONTACT STRENGTH<br>按键强度           | The contact shall be capable of a rorce of 5N for 5 seconds in any directions沿开关动作方向可承受静能压力 5N, 保持 5 秒钟.  | Switch electric andmechanical efficiency does not break 无损开关电气或者机械性能          |
| 6B                            | CONTACT JOURNEY                    |   | 按键行程:0.2±0.1mm  |
| 6C                            | DRIVE FORCE<br>驱动力                 | Being measure at across spring piece and across keystoke forergometer用测力计在按键与弹片之间测量.  | Contact switch'sd drive dirive fouce was250± 50gf.<br>按键的开关驱动力为250±50gf       |

## 产 品 规 格 书

### PRODUCT SPECIFICATION

-2-

|   |   |  |  |
|---|---|--|--|
| 6D  | CONNECTION STRENGTH<br>接线端强度  | A force of 1N being applying in any directions of the switch connection partt.在接线端的作用方向施加 1N 的力.   | Switch mechanical efficiency does not break.无损开关机械性能.  |
| 6E  | MECHANICAL LIFE<br>机械寿命   | Operatin at a rate of 30-50 cycles a minute. 以 30-50 次/分的驱动速度操作.   | Life:20000cycles<br>寿命:20000 次   |
| 7.ENVIRONME NT---RESISTANT EFFICIENCY 耐环境性能 |   |  |  |
| 7A  | CHANGE OF TEMPERATURE 温度变化  | The first temperature shall be 65°C ,2h and changed to-30°C ,2h,5c ycles of above test. 先 65°C ,2h, 然后-30°C ,2h, 如此重复 3 次.   | 1. The appearance should not break. 外观应无损伤.<br>2. Contact resistance $\leq 100 M \Omega$ 接触电阻 $\leq 100M \Omega$                             |
| 7B  | HUMIDITY RESISTANT 耐湿热  | 40 $\pm$ 2°C in temperature and 95%RH , Ruring the test time without load; After testing the temperature should be 48h. 经 40 $\pm$ 2°C , 相对湿度 95%, 试验期间, 开关不动作, 不带电负荷, 试验后恢复到常温 48h. | 3. Insulation resistance $\geq 100 M \Omega$ . 绝缘电阻 $\geq 100 M \Omega$  |
| 8.IOINTING EFFICIENCY 焊接性能                  |   |  |  |
| 8A  | SOLDERABILITY<br>可焊性  | Temperature260 $\pm$ 5°C ; Durati on; 3 $\pm$ 0.5S:温度在 260 $\pm$ 5°C , 持续 3 $\pm$ 0.5S.  | Solderability part should above 90% 可焊部分被焊料覆盖面应在 90% 以上.   |
| 8B  | SOLDER—RESISTANT<br>耐焊剂性  | Warm-up temperature:100°C,40S, 焊锡温度 260 $\pm$ 5 °C , 浸焊时间 3 $\pm$ 0.5S.  | Proth height of assist solder should under board and switch electric and mechanical efficien- cy does not break.助焊剂发泡不应超过印制板,无损伤开关电气或机械动作性能. |
| 8C  | JOINTING—RESISTANT<br>耐焊接热  | Jointing temperature: 260 $\pm$ 5 °C , Duration of immersion: 5 $\pm$ 1S. 焊锡温度 260 $\pm$ 5°C , 浸焊时间 5 $\pm$ 1S   | efficiency does not break 无损伤开关电气或机械动作性能   |
| 8D  | NORMAL JOLNTING TIMES<br>正常焊接次数   |  | $\leq 2$ times 小于 2 次  |
| 9.NOTES                                     |   |  |  |
| 9A  | The whole boxes of switch should keep in the temperature -20--80°C and less than 80%RH withort acidic, alkal escence, caustic gas in the environment of the storage.<br>整箱包装的开关, 应在温度为-20--80°C , 相对湿度不大于 80%, 周围的空气中没有酸性、碱性或其他腐蚀性气体的库房内保管。 |  |  |
| 9B  | Operating Temperature Range:-20 to 80C<br>操作温度的范围: -20 to 80°C  |  |  |
| 9C  | Switch should install in a correct method.<br>开关应按正确的安装方法进行正确安装使用。  |  |  |

## X-ON Electronics

Largest Supplier of Electrical and Electronic Components

*Click to view similar products for [Tactile Switches](#) category:*

*Click to view products by [hanxia](#) manufacturer:*

Other Similar products are found below :

[6407-250V-25273P](#) [ADTSA62NV](#) [B3F-3123](#) [1977177-8](#) [1977266-1](#) [ADTSA63NV](#) [ADTSM21NSVTR](#) [ADTSM25RVTR](#) [ADTSM32NVTR](#)  
[ADTSMW64RV](#) [1977120-6](#) [FSMRA4JHA04](#) [GS4.70F300QP](#) [KSC241J SP DELTA LFS](#) [3FTL600RAS](#) [3FTL640RAS](#) [6407-250V-25343P](#)  
[ADTSM31NVTR](#) [2-1977120-7](#) [TSJW-5.2-260-TR](#) [Y651050400P](#) [KMT011MNGJLHS](#) [70-201.0](#) [ADTSG648NV](#) [ADTSM62KSVTR](#)  
[ADTSM648NV](#) [95C06E3RAT](#) [3ATH9Q](#) [FSMRA8JHA04](#) [HARS0073](#) [Y33R411N9FPLFT](#) [Y33R51139FPLFT](#) [Y31C01402FPLFS](#)  
[PTS645SK50SMTR92](#) [ADTSM32NVB](#) [KMS233GPWTLFG](#) [Y78B64124FP](#) [Y31CJ244KFP LFS](#) [Y96D113G0FP LFS](#) [Y33A812C5FP LFT](#)  
[Y56B2D120FP LFS](#) [Y31C5144KFP LFS](#) [PTS645 DVM83-BN125-2 LFS](#) [B3W 1000G](#) [KSC621G OL LFS](#) [B3F 1002C](#) [B3F 0047H](#) [B3W](#)  
[1002C](#) [B3F 5001G](#) [B3W 1100C](#)