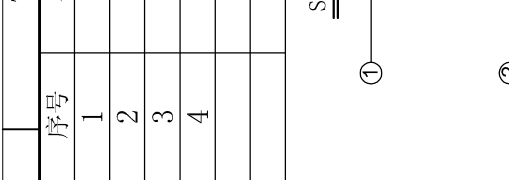
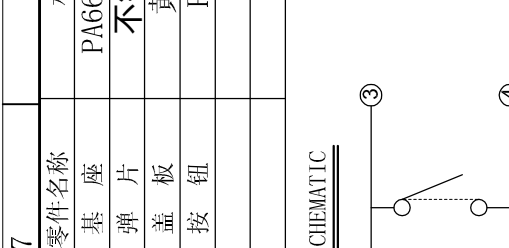
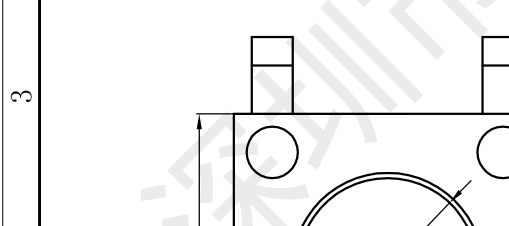
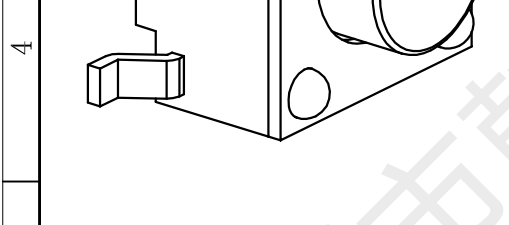
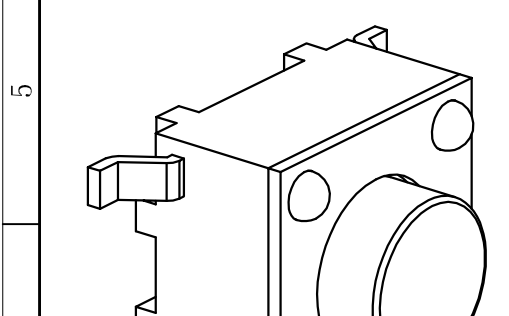


| 序号 | 零件名称 | 材质      |
|----|------|---------|
| 1  | 底座   | PA66/黄铜 |
| 2  | 弹片   | 不锈钢     |
| 3  | 盖板   | 黄铜      |
| 4  | 按钮   | PPA     |



Recommended P. C. B Layout

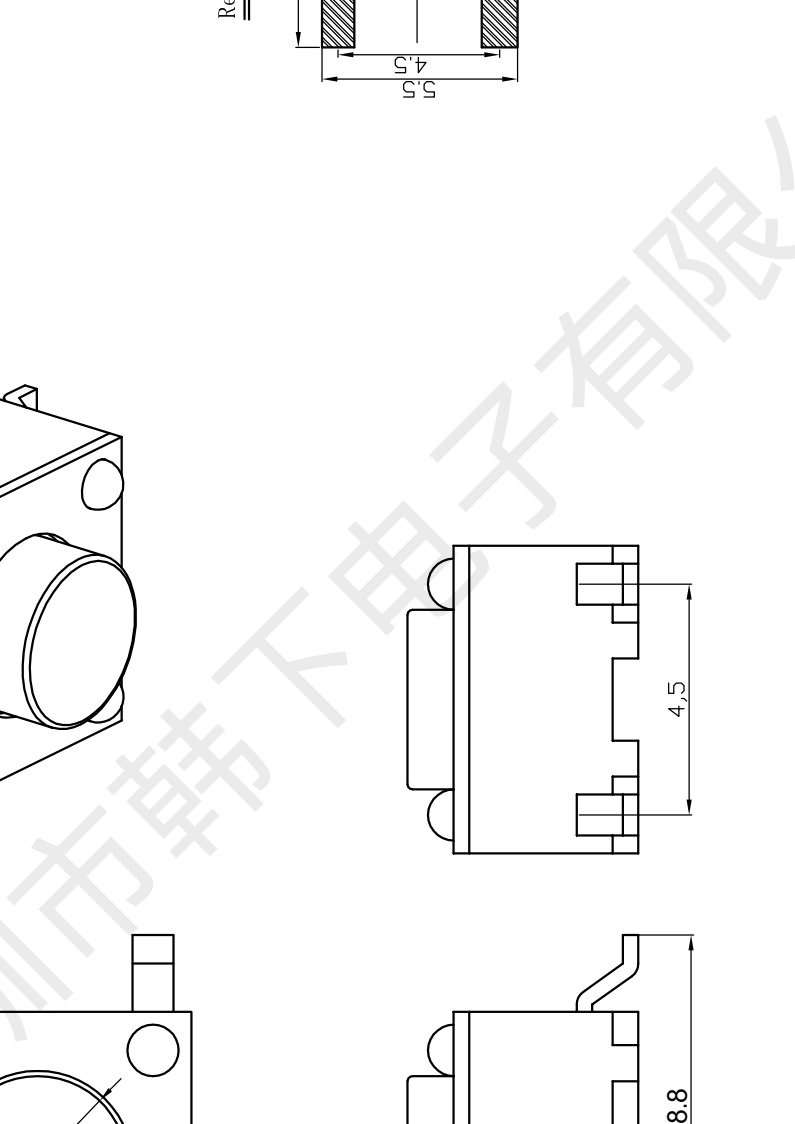


- 技术要求
- ELECTRICAL CHARACTERISTICS (电气性能):
    - 1.1 Rating (额定值): DC12V 0.5A
    - 1.2 Travel (行程): 0.25 ± 0.1mm
    - 1.3 Contact Resistance (接触电阻): 100mΩ Max
    - 1.4 Life (寿命): 100,000 Cycles MIN
  - ELECTRICAL temperature rang (使用温度范围): -16° C ~ +60° C

|                 |     |
|-----------------|-----|
| 单位<br>UNIT      | mm  |
| 制图<br>DRAW      | 黄彬  |
| 设计<br>DESIGN    |     |
| 审核<br>CHECKED   | 张伟  |
| 标准化<br>STANDARD |     |
| 批准<br>APPROVE   | 罗小春 |
| 修改<br>REVISE    |     |
| 日期<br>DATE      |     |

|                  |                       |
|------------------|-----------------------|
| 一般公差             | GENERAL TOLERANCE     |
| L ≤ 4 ±0.2       | 63 < L ≤ 250 ±0.5     |
| 4 < L ≤ 16 ±0.3  | 250 < L ±0.7          |
| 16 < L ≤ 63 ±0.4 | 1/8 ANGULAR DIMENSION |

|                 |                           |          |
|-----------------|---------------------------|----------|
| 名称<br>NAME      | 轻触开关                      |          |
| 型号<br>Model No. | HX TS6665TP 160gf BXG 022 |          |
| 料号<br>Part No.  | 张数<br>SHEET               | 第1页, 共1页 |
| 比例<br>SCALE     | 版本<br>REV.                | A4 C图    |
| proj.           |                           | C DWG    |





深圳市韩下电子有限公司

Shenzhen Hanxia Electronic Co., Ltd  
Tel: 0755-33819206 Fax: 0755-27597491

## 承 认 书

### SPECIFICATION FOR APPROVAL

客 户 Customer:

\_\_\_\_\_

产品名称 Project:

轻触开关

\_\_\_\_\_

规格型号 Part No:

HX TS6665TP 160gf BXG 022

\_\_\_\_\_

#### 贵公司承认印 Approval signatures

| 料 号/Part No. | 签 章/Signatures |
|--------------|----------------|
|              |                |

日期 Date:

|             |     |  |
|-------------|-----|--|
| 拟制/Drawn    | 黄彬  |  |
| 审核/Check    | 张伟  |  |
| 批准/Approved | 罗小春 |  |

## 产 品 规 格 书

### PRODUCT SPECIFICATION

|                               |                                    |   |  |
|-------------------------------|------------------------------------|---|--|
| SIRLES                        |                                    | 系列:TACT SWITCHES(轻触开关)  |  |
| MODEL                         |                                    | 型号:HX TS6665TP 160gf BXG 022  |  |
| 1.RATING                      |                                    | 额定值:50mA 12VDC  |  |
| 2.CONSTRUTION DIMENSION 结构尺寸  |                                    | Apply to the appended drawing符合附加图纸   |  |
| 3.APPEARANCE 外观               |                                    | Have no remarkable damage,crack and rust etc无明显损伤,裂纹,锈迹等.   |  |
| 4.CONTACTLOOP 接触回路            |                                    | Monople loop:单通单极回路   |  |
| ITEM 专案                       |                                    | TEST CONDITION 测试条件   | SPECIFICATION 规格   |
| 5.CAPABILITY OF ELECTRIC 电气性能 |                                    |   |  |
| 5A                            | INSULATION RESISTANCE<br>绝缘电阻      | Measurements shall be made following Application of DC500V potential across terminals and across terminals and fuame for 1minute在端子之间和端子与壳之间加 DC500V 条件下,持续 1 分钟测量. | 100M $\Omega$ min<br>100 兆欧以上.   |
| 5B                            | WITHSTAND VILTAGE<br>耐电压           | AC250V、50HZ、1 min (i min(i nterrupting current $\leq$ 500uA). AC250V、50HZ、1 分钟(漏电流 500uA)   | There shall be no briakdown 无击穿现象出现。   |
| 5C                            | CONTACT CIRCUIT<br>接触电路            | Addition 1.5-2 time force on the top of the keystrok and press the switch,DC50V100mA在按键顶端上等于作用力 1.5-2 倍的力按动开关,DC50V,10Ma.   | 100m $\Omega$ Max<br>(100m $\Omega$ 以下) .  |
| 5D                            | SWITCH CONNECTION<br>FLASH 开关接触点抖动 | Addition DC5V on the two side of switch,at a speed of 3-5time a sec.to press the switch在开关的两端加 DC5V 的电压,以 3-5 次/秒的速度按动开关.   | The flash time betwecn open not more than 10ms.<br>开关在接通和断开时的接点抖动时间不大于 10 ms.      |
| 6.MECHANICAL EFFICIENCY 机械性能  |                                    |   |  |
| 6A                            | CONTACT STRENGTH<br>按键强度           | The contact shall be capable of a rorce of 5N for 5 seconds in any directions沿开关动作方向可承受静能压力 5N, 保持 5 秒钟.  | Switch electric andmechanical efficiency does not break 无损开关电气或者机械性能               |
| 6B                            | CONTACT JOURNEY                    |   | 按键行程:0.25 $\pm$ 0.1mm  |
| 6C                            | DRIVE FORCE<br>驱动力                 | Being measure at across spring piece and across keystoke forergometer用测力计在按键与弹片之间测量.  | Contact switch'sd drive dirive fouce was160 $\pm$ 50gf.<br>按键的开关驱动力为160 $\pm$ 50gf |

## 产品规格书 PRODUCT SPECIFICATION

-2-

|   |  |   |   |
|---|--|---|---|
| 6D  | CONNECTION STRENGTH<br>接线端强度   | A force of 1N being applying in any directions of the switch connection partt.在接线端的作用方向施加 1N 的力.  | Switch mechanical efficiency does not break.无损开关机械性能.   |
| 6E  | MECHANICAL LIFE<br>机械寿命  | Operatin at a rate of 30-50 cycles a minute. 以 30-50 次/分的驱动速度操作.  | Life:100000cycles<br>寿命:100000 次  |
| 7.ENVIRONME NT---RESISTANT EFFICIENCY 耐环境性能 |  |   |   |
| 7A  | CHANGE OF TEMPERATURE 温度变化   | The first temperature shall be 65°C ,2h and changed to-30°C, 2h, 5c ycles of above test. 先 65°C, 2h, 然后-30°C, 2h, 如此重复 3 次.   | 1. The appearance should not break. 外观应无损伤.<br>2. Contact resistance $\leq 100 M \Omega$ 接触电阻 $\leq 100M \Omega$                              |
| 7B  | HUMIDITY RESISTANT 耐湿热   | 40 $\pm$ 2°C in temperature and 95%RH , Ruring the test time without load; After testing the temperature should be 48h. 经 40 $\pm$ 2°C, 相对湿度 95%, 试验期间, 开关不动作, 不带电负荷, 试验后恢复到常温 48h. | 3. Insulation resistance $\geq 100 M \Omega$ . 绝缘电阻 $\geq 100 M \Omega$   |
| 8.IOINTING EFFICIENCY 焊接性能                  |  |   |   |
| 8A  | SOLDERABILITY<br>可焊性   | Temperature 260 $\pm$ 5°C ; Durati on; 3 $\pm$ 0.5S: 温度在 260 $\pm$ 5°C, 持续 3 $\pm$ 0.5S.  | Solderability part should above 90% 可焊部分被焊料覆盖面应在 90% 以上.  |
| 8B  | SOLDER—RESISTANT<br>耐焊剂性   | Warm-up temperature: 100°C, 40S, 焊锡温度 260 $\pm$ 5°C, 浸焊时间 3 $\pm$ 0.5S.   | Proth height of assist solder should under board and switch electric and mechanical efficien- cy does not break.助焊剂发泡不应超过印制板, 无损伤开关电气或机械动作性能. |
| 8C  | JOINTING—RESISTANT<br>耐焊接热   | Jointing temperature: 260 $\pm$ 5°C , Duration of immersion: 5 $\pm$ 1S. 焊锡温度 260 $\pm$ 5°C, 浸焊时间 5 $\pm$ 1S  | efficiency does not break 无损伤开关电气或机械动作性能  |
| 8D  | NORMAL JOLNTING TIMES<br>正常焊接次数  |   | $\leq 2$ times 小于 2 次   |
| 9.NOTES                                     |  |   |   |
| 9A  | The whole boxes of switch should keep in the temperature -30--80°C and less than 80%RH withort acidic, alkal escence, caustic gas in the environment of the storage.<br>整箱包装的开关, 应在温度为-30--80°C, 相对湿度不大于 80%, 周围的空气中没有酸性、碱性或其他腐蚀性气体的库房内保管。 |   |   |
| 9B  | Operating Temperature Range:-16to 60C<br>操作温度的范围: -16 to 60°C  |   |   |
| 9C  | Switch should install in a correct method.<br>开关应按正确的安装方法进行正确安装使用。   |   |   |

## X-ON Electronics

Largest Supplier of Electrical and Electronic Components

*Click to view similar products for [Tactile Switches](#) category:*

*Click to view products by [hanxia](#) manufacturer:*

Other Similar products are found below :

[6407-250V-25273P](#) [ADTSA62NV](#) [B3F-3123](#) [1977177-8](#) [1977266-1](#) [ADTSA63NV](#) [ADTSM21NSVTR](#) [ADTSM25RVTR](#) [ADTSM32NVTR](#)  
[ADTSMW64RV](#) [1977120-6](#) [FSMRA4JHA04](#) [GS4.70F300QP](#) [KSC241J SP DELTA LFS](#) [3FTL600RAS](#) [3FTL640RAS](#) [6407-250V-25343P](#)  
[ADTSM31NVTR](#) [2-1977120-7](#) [TSJW-5.2-260-TR](#) [Y651050400P](#) [KMT011MNGJLHS](#) [70-201.0](#) [ADTSG648NV](#) [ADTSM62KSVTR](#)  
[ADTSM648NV](#) [95C06E3RAT](#) [3ATH9Q](#) [FSMRA8JHA04](#) [HARS0073](#) [Y33R411N9FPLFT](#) [Y33R51139FPLFT](#) [Y31C01402FPLFS](#)  
[PTS645SK50SMTR92](#) [ADTSM32NVB](#) [KMS233GPWTLFG](#) [Y78B64124FP](#) [Y31CJ244KFP LFS](#) [Y96D113G0FP LFS](#) [Y33A812C5FP LFT](#)  
[Y56B2D120FP LFS](#) [Y31C5144KFP LFS](#) [PTS645 DVM83-BN125-2 LFS](#) [B3W 1000G](#) [KSC621G OL LFS](#) [B3F 1002C](#) [B3F 0047H](#) [B3W](#)  
[1002C](#) [B3F 5001G](#) [B3W 1100C](#)