
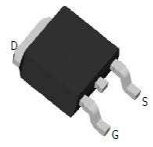
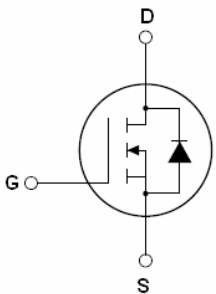


**N-Channel Trench Power MOSFET**

<p><b>General Description</b></p> <p>100N08 is N-channel MOS Field Effect Transistor designed for high current switching applications. Rugged EAS capability and ultra low <math>R_{DS(ON)}</math> is suitable for PWM, load switching especially for E-Bike controller applications.</p> <p><b>Features</b></p> <ul style="list-style-type: none"> <li>● <math>V_{DS}=82V</math>; <math>I_D=100A@V_{GS}=10V</math>;  <math>R_{DS(ON)}&lt;7.8m\Omega @ V_{GS}=10V</math></li> <li>● Special Designed for E-Bike Controller Application</li> <li>● Ultra Low On-Resistance</li> <li>● High UIS and UIS 100% Test</li> </ul> <p><b>Application</b></p> <ul style="list-style-type: none"> <li>● 64V E-Bike Controller Applications</li> <li>● Hard Switched and High Frequency Circuits</li> <li>● Uninterruptible Power Supply</li> </ul>	<div style="display: flex; justify-content: space-around; align-items: center;"> <div style="text-align: center;">   <b>To-220</b>              Top View         </div> <div style="text-align: center;">   <b>TO-263</b>              Top View         </div> <div style="text-align: center;">   <b>Schematic Diagram</b> </div> </div> <div style="text-align: center; margin-top: 20px;"> <p><math>V_{DS} = 82 V</math></p> <p><math>I_D = 100A</math></p> <p><math>R_{DS(ON)} = 6.5 m\Omega</math></p> </div>
--	---

**Table 1. Absolute Maximum Ratings (TA=25°C)**

Symbol	Parameter	Value	Unit
$V_{DS}$	Drain-Source Voltage ( $V_{GS}=0V$ )	82	V
$V_{GS}$	Gate-Source Voltage ( $V_{DS}=0V$ )	$\pm 25$	V
$I_{D(DC)}$	Drain Current (DC) at $T_c=25^\circ C$	100	A
$I_{D(DC)}$	Drain Current (DC) at $T_c=100^\circ C$	64.4	A
$I_{DM(pluse)}$	Drain Current-Continuous@ Current-Pulsed (Note 1)	368	A
dv/dt	Peak Diode Recovery Voltage	7.3	V/ns
$P_D$	Maximum Power Dissipation( $T_c=25^\circ C$ )	147	W
	Derating Factor	0.93	W/°C
EAS	Single Pulse Avalanche Energy (Note 2)	625	mJ
$T_J, T_{STG}$	Operating Junction and Storage Temperature Range	-55 To 175	°C

**Notes** 1.Repetitive Rating: Pulse width limited by maximum junction temperature

2.EAS condition: $T_J=25^\circ C, V_{DD}=40V, V_G=10V, R_G=25\Omega$

**Table 2. Thermal Characteristic**

Symbol	Parameter	Value	Max	Unit
R <sub>θJC</sub>	Thermal Resistance, Junction-to-Case	---	1.02	°C/W

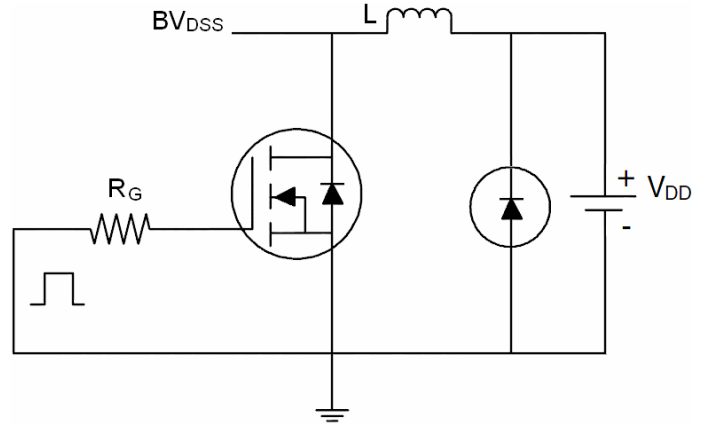
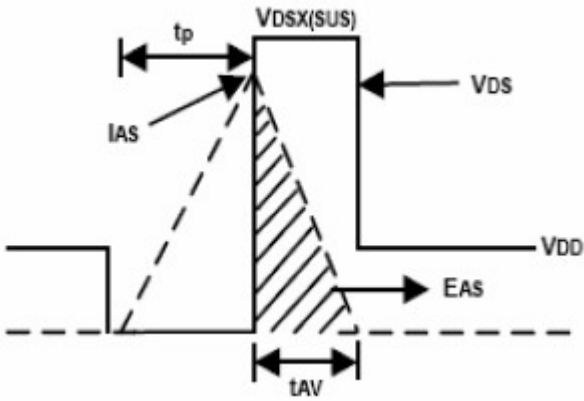
**Table 3. Electrical Characteristics (TA=25°C unless otherwise noted)**

Symbol	Parameter	Conditions	Min	Typ	Max	Unit
<b>On/Off States</b>						
BV <sub>DSS</sub>	Drain-Source Breakdown Voltage	V <sub>GS</sub> =0V, I <sub>D</sub> =250μA	82			V
I <sub>DSS</sub>	Zero Gate Voltage Drain Current(Tc=25°C)	V <sub>DS</sub> =82V, V <sub>GS</sub> =0V			1	μA
I <sub>DSS</sub>	Zero Gate Voltage Drain Current(Tc=125°C)	V <sub>DS</sub> =82V, V <sub>GS</sub> =0V			10	μA
I <sub>GSS</sub>	Gate-Body Leakage Current	V <sub>GS</sub> =±20V, V <sub>DS</sub> =0V			±100	nA
V <sub>GS(th)</sub>	Gate Threshold Voltage	V <sub>DS</sub> =V <sub>GS</sub> , I <sub>D</sub> =250μA	2		4	V
R <sub>DS(ON)</sub>	Drain-Source On-State Resistance	V <sub>GS</sub> =10V, I <sub>D</sub> =40A		6.5	7.8	mΩ
<b>Dynamic Characteristics</b>						
g <sub>FS</sub>	Forward Transconductance	V <sub>DS</sub> =10V, I <sub>D</sub> =15A	20			S
C <sub>iss</sub>	Input Capacitance	V <sub>DS</sub> =25V, V <sub>GS</sub> =0V, f=1.0MHz		5053		PF
C <sub>OSS</sub>	Output Capacitance			442		PF
C <sub>rSS</sub>	Reverse Transfer Capacitance			145		PF
Q <sub>g</sub>	Total Gate Charge	V <sub>DS</sub> =50V, I <sub>D</sub> =40A, V <sub>GS</sub> =10V		115		nC
Q <sub>gs</sub>	Gate-Source Charge			20		nC
Q <sub>gd</sub>	Gate-Drain Charge			50		nC
<b>Switching Times</b>						
t <sub>d(on)</sub>	Turn-on Delay Time	V <sub>DD</sub> =30V, I <sub>D</sub> =40A, R <sub>L</sub> =15Ω V <sub>GS</sub> =10V, R <sub>G</sub> =2.5Ω		23		nS
t <sub>r</sub>	Turn-on Rise Time			51		nS
t <sub>d(off)</sub>	Turn-Off Delay Time			66		nS
t <sub>f</sub>	Turn-Off Fall Time			23		nS
<b>Source-Drain Diode Characteristics</b>						
I <sub>SD</sub>	Source-drain Current(Body Diode)			100		A
I <sub>SDM</sub>	Pulsed Source-Drain Current(Body Diode)			368		A
V <sub>SD</sub>	Forward On Voltage <sup>(Note 1)</sup>	T <sub>J</sub> =25°C, I <sub>SD</sub> =40A, V <sub>GS</sub> =0V		0.89	0.99	V
t <sub>rr</sub>	Reverse Recovery Time <sup>(Note 1)</sup>	T <sub>J</sub> =25°C, I <sub>F</sub> =75A di/dt=100A/μs		41		nS
Q <sub>rr</sub>	Reverse Recovery Charge <sup>(Note 1)</sup>			86		nC
t <sub>on</sub>	Forward Turn-on Time	Intrinsic turn-on time is negligible(turn-on is dominated by L <sub>S</sub> +L <sub>D</sub> )				

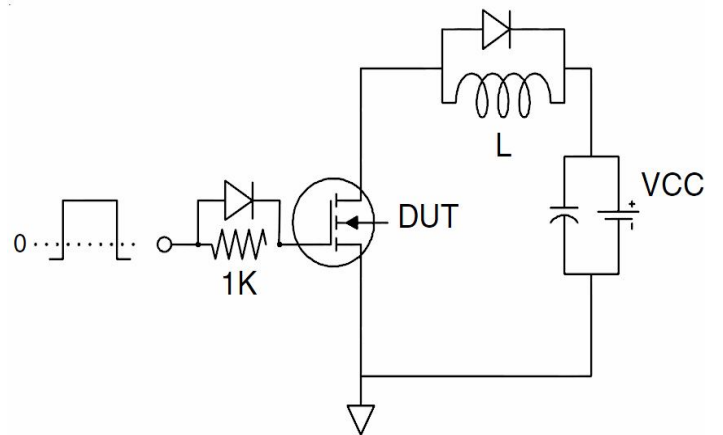
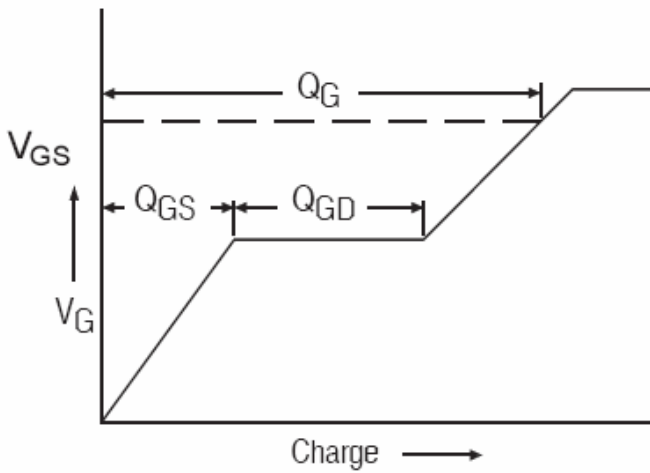
**Notes 1.** Pulse Test: Pulse Width ≤ 300μs, Duty Cycle ≤ 1.5%, R<sub>G</sub>=25Ω, Starting T<sub>J</sub>=25°C

## Test Circuit

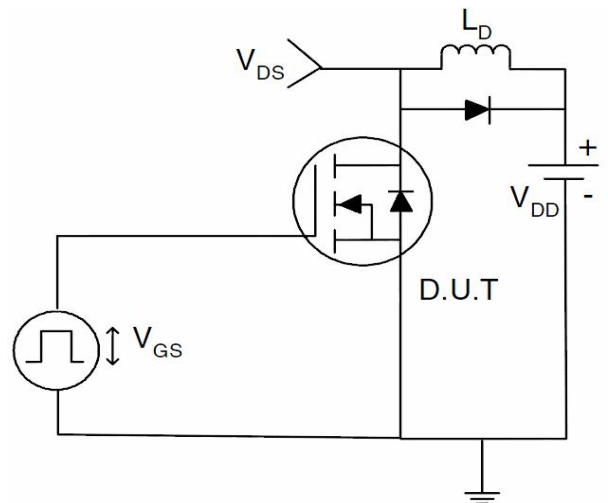
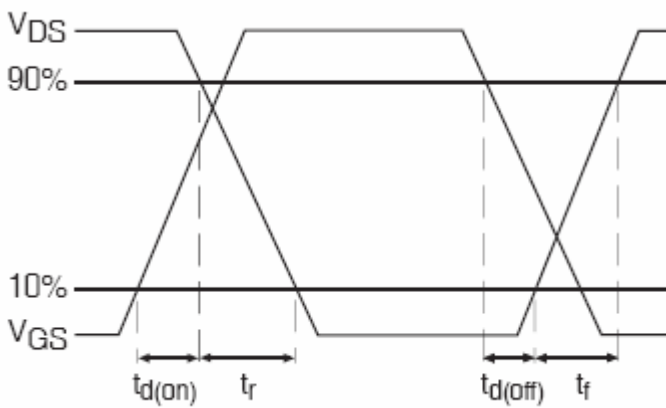
### 1) $E_{AS}$ Test Circuits



### 2) Gate Charge Test Circuit:

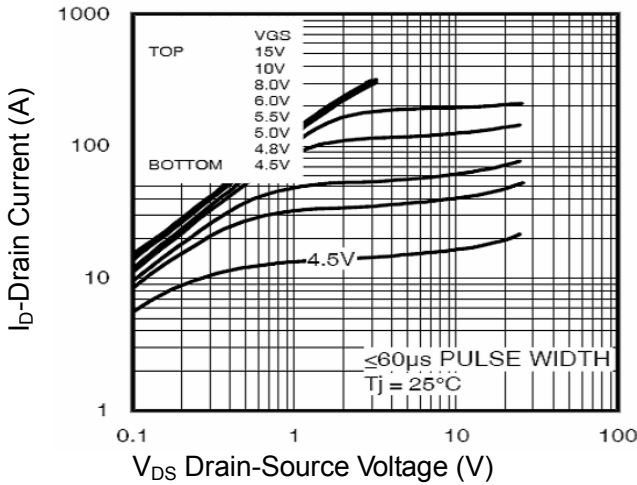


### 3) Switch Time Test Circuit:

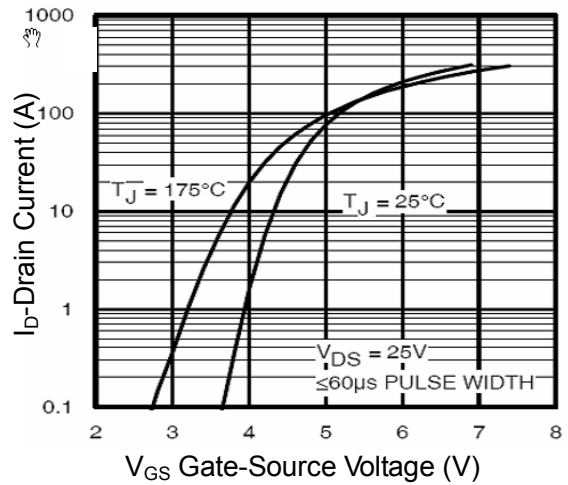


**TYPICAL ELECTRICAL AND THERMAL CHARACTERISTICS (Curves)**

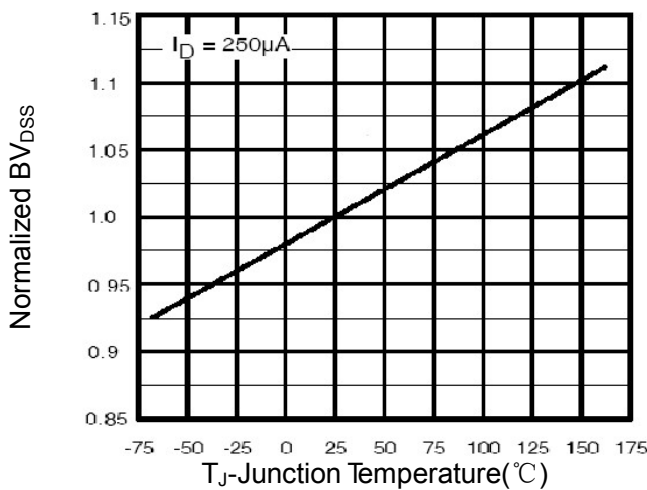
**Figure1. Output Characteristics**



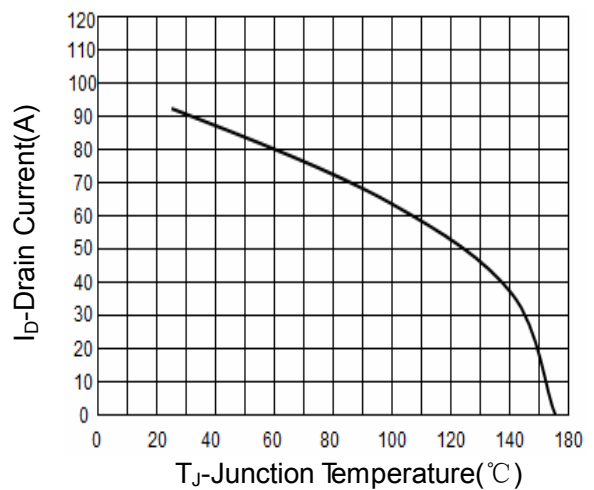
**Figure2. Transfer Characteristics**



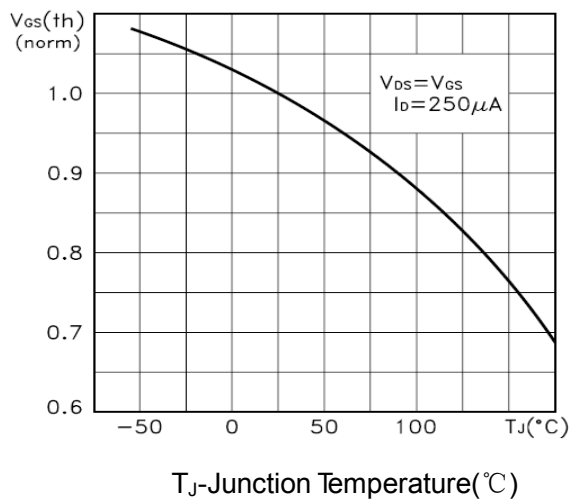
**Figure3. BVDSS vs Junction Temperature**



**Figure4. ID vs Junction Temperature**



**Figure5. VGS(th) vs Junction Temperature**



**Figure6. Rds(on) Vs Junction Temperature**

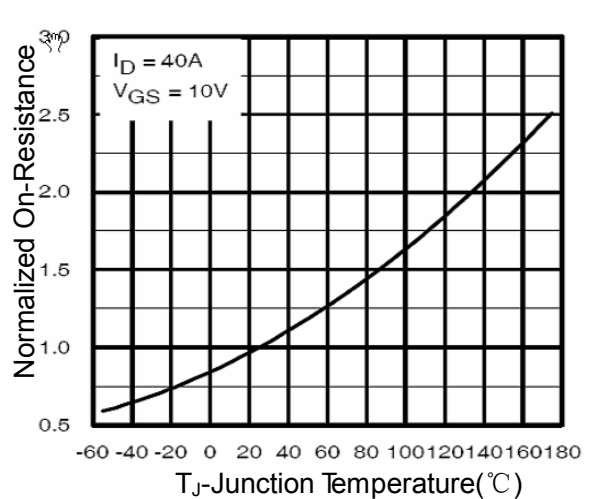


Figure7. Gate Charge

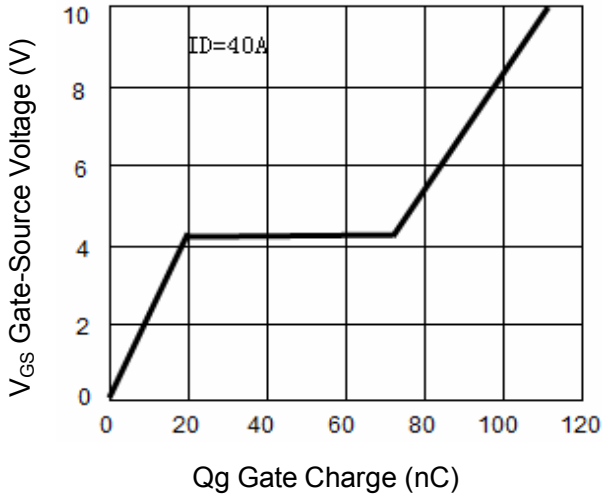


Figure8. Capacitance vs V<sub>DS</sub>

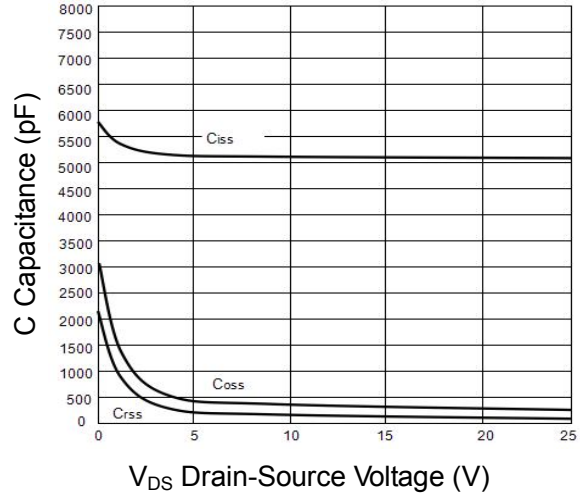


Figure9. Source- Drain Diode Forward

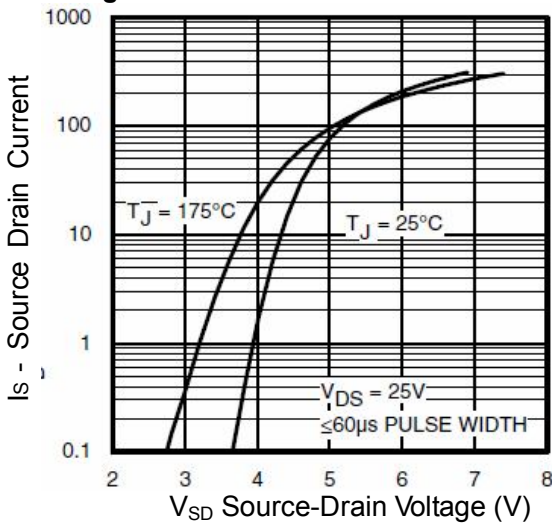


Figure10. Safe Operation Area

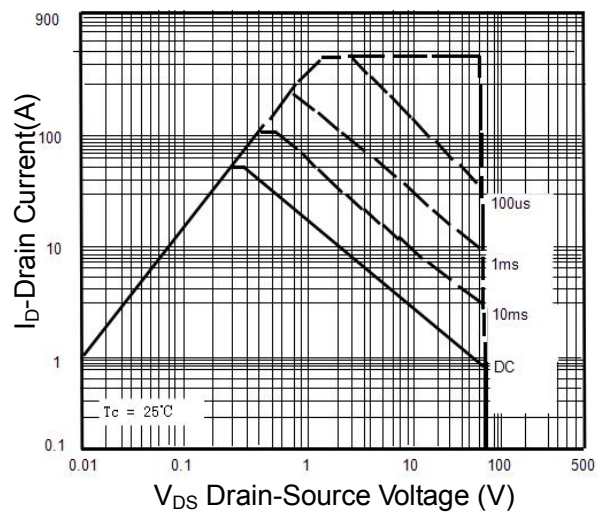
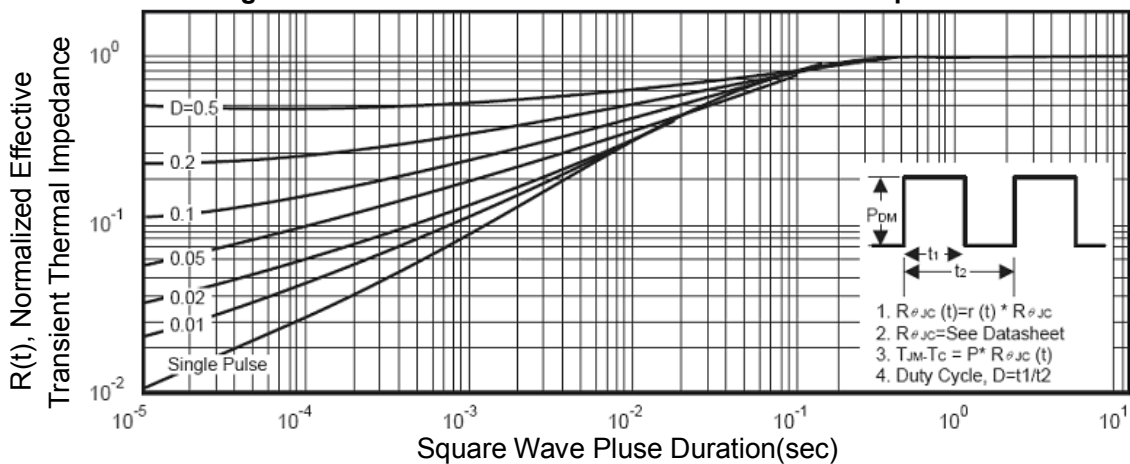
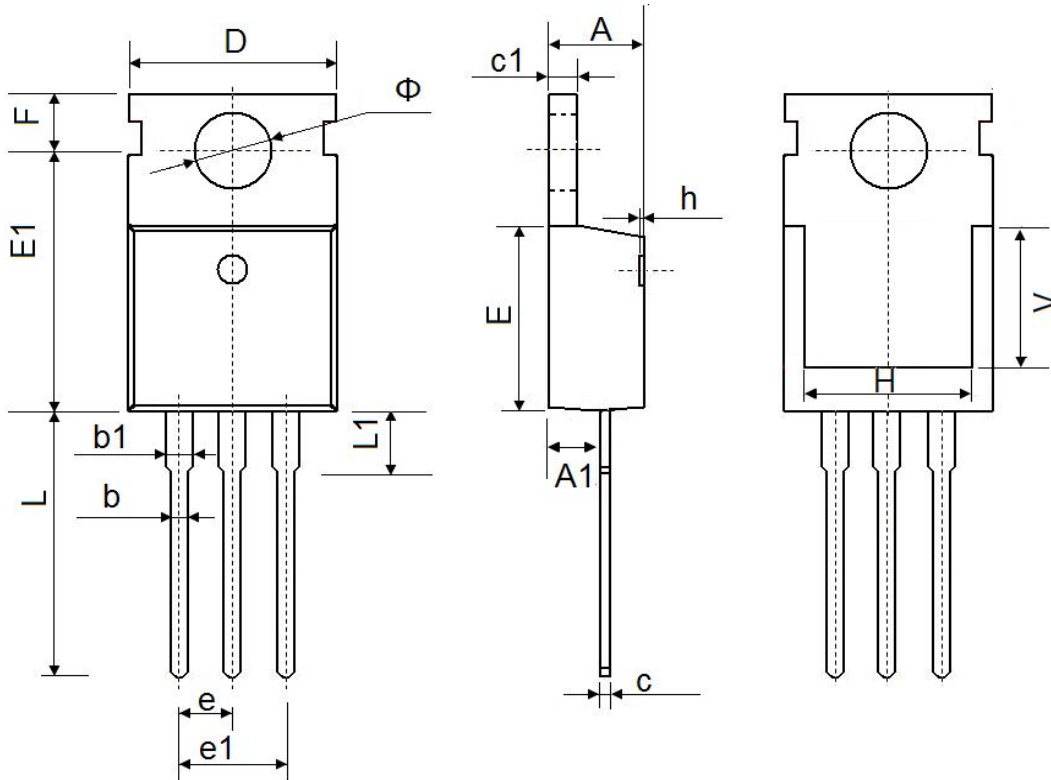


Figure11. Normalized Maximum Transient Thermal Impedance

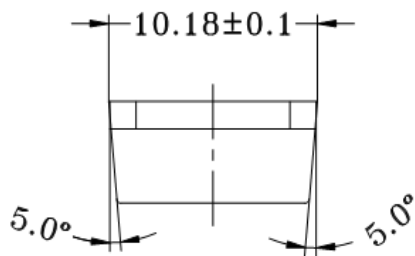
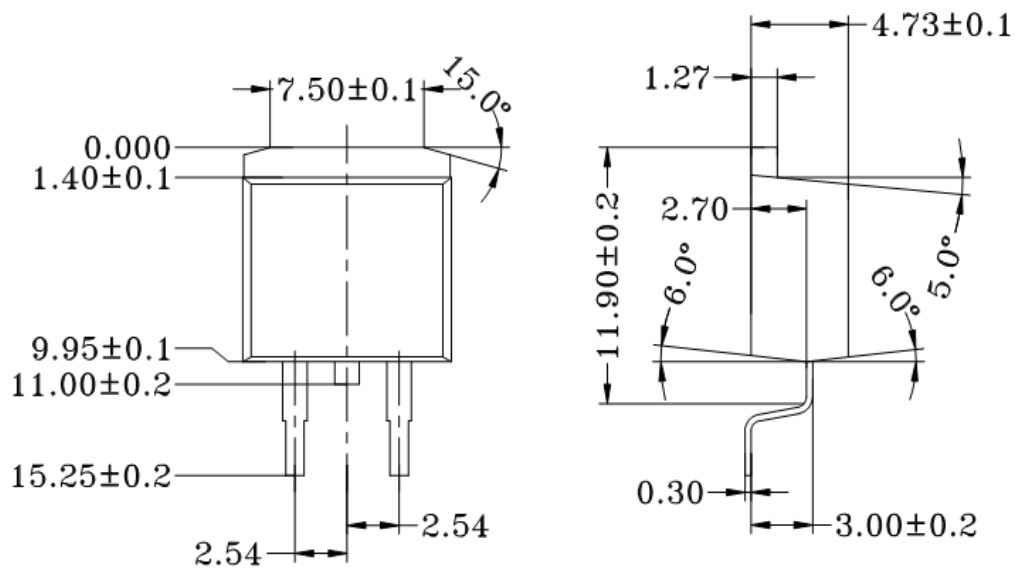


## TO-220 Package Information



Symbol	Dimensions In Millimeters		Dimensions In Inches	
	Min.	Max.	Min.	Max.
A	4.300	4.700	0.169	0.185
A1	2.200	2.600	0.087	0.102
b	0.700	0.950	0.028	0.037
b1	1.170	1.410	0.046	0.056
c	0.450	0.650	0.018	0.026
c1	1.200	1.400	0.047	0.055
D	9.600	10.400	0.378	0.409
E	8.8500	9.750	0.348	0.384
E1	12.650	12.950	0.498	0.510
e	2.540 TYP.		0.100TYP.	
e1	4.980	5.180	0.196	0.204
F	2.650	2.950	0.104	0.116
H	7.900	8.100	0.311	0.319
h	0.000	0.300	0.000	0.012
L	12.750	14.300	0.502	0.563
L1	2.850	3.950	0.112	0.156
V	7.500 REF.		0.295 REF.	
Φ	3.400	4.000	0.134	0.157

### TO-263 Package Information



## X-ON Electronics

Largest Supplier of Electrical and Electronic Components

*Click to view similar products for [MOSFET](#) category:*

*Click to view products by [Haolin](#) manufacturer:*

Other Similar products are found below :

[IRFD120](#) [IRFY240C](#) [JANTX2N5237](#) [2SK2267\(Q\)](#) [BUK455-60A/B](#) [MIC4420CM-TR](#) [VN1206L](#) [NDP4060](#) [SI4482DY](#)  
[IPS70R2K0CEAKMA1](#) [SQD23N06-31L-GE3](#) [TK16J60W,S1VQ\(O](#) [2SK2614\(TE16L1,Q\)](#) [DMN1017UCP3-7](#) [EFC2J004NUZTDG](#)  
[DMN1053UCP4-7](#) [SQJ469EP-T1-GE3](#) [NTE2384](#) [DMC2700UDMQ-7](#) [DMN2080UCB4-7](#) [DMN61D9UWQ-13](#) [US6M2GTR](#)  
[DMN31D5UDJ-7](#) [DMP22D4UFO-7B](#) [DMN1006UCA6-7](#) [DMN16M9UCA6-7](#) [STF5N65M6](#) [IRF40H233XTMA1](#) [STU5N65M6](#)  
[DMN6022SSD-13](#) [DMN13M9UCA6-7](#) [DMTH10H4M6SPS-13](#) [DMN2990UFB-7B](#) [IPB80P04P405ATMA2](#) [2N7002W-G](#) [MCAC30N06Y-](#)  
[TP](#) [MCQ7328-TP](#) [NTMC083NP10M5L](#) [NVMFS2D3P04M8LT1G](#) [BXP7N65D](#) [BXP4N65F](#) [AOL1454G](#) [WMJ80N60C4](#) [BXP2N20L](#)  
[BXP2N65D](#) [BXT1150N10J](#) [BXT1700P06M](#) [TSM60NB380CP](#) [ROG](#) [RQ7L055BGTCR](#) [DMNH15H110SK3-13](#)